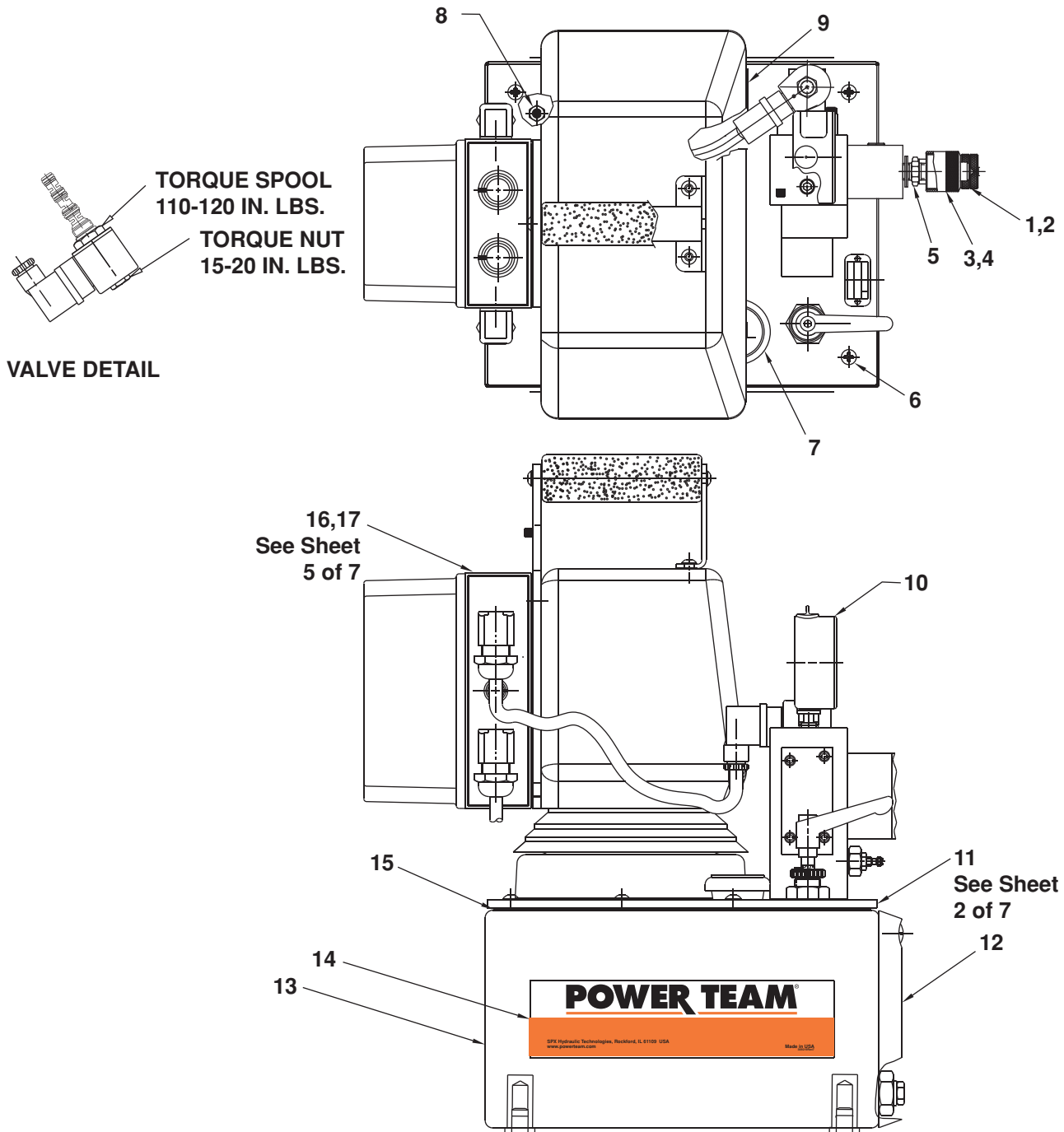




MODEL B ELECTRIC HYDRAULIC PUMP Maximum Capacity: 10,000 PSI

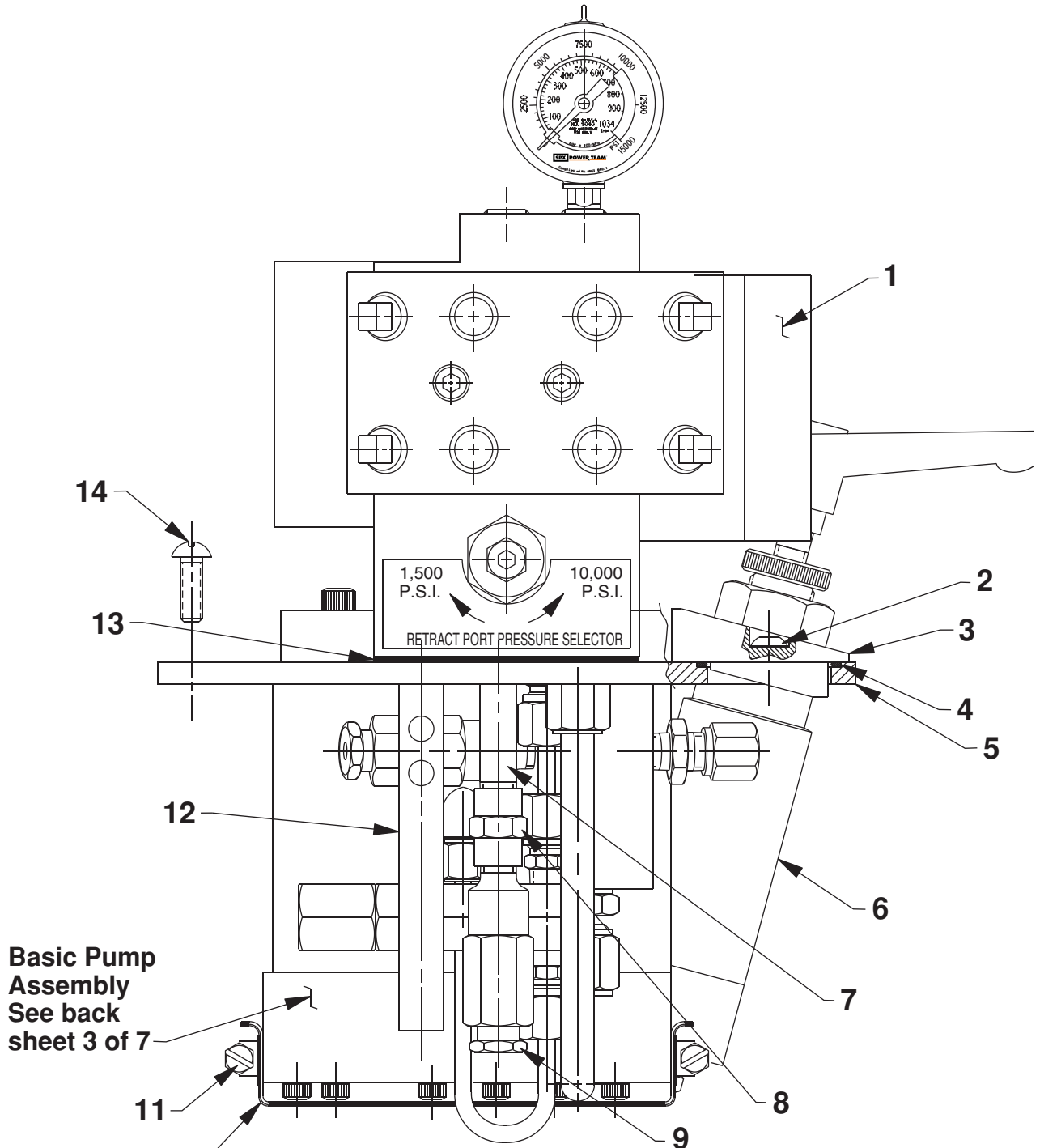


Parts List, Form No. 1000048CE, Back sheet 1 of 7

Item No.	Part No.	No. Req'd	Description
1	*251410	1	Quick Coupler
2	*252364	1	Dust Plug
3	*251411	1	Quick Plug Coupler
4	*252365	1	Dust Cap
5	*10672	1	Straight Fitting
6	10177	10	Screw, Round Hd (1/4-20 x 3/4)
7	350925	1	Filler Cap
8	251599	1	Vent, Breather Filter
9	215163	1	Decal, Specifications
10	9040	1	Gauge (10,000 psi, 2 1/2" Dia.)
11	3000118	1	Cover Plate Assembly
12	17586	1	Sight Gauge (1-1/2")
13	65599OR9	1	Reservoir (2 gal.)
14	309219CE	2	Decal, (Tradename Power Team)
15	40164	1	Gasket, Reservoir
16	3000173	1	Assembly, Motor Control
	3000174	1	Assembly, Motor Control (for PE55TWP-E110)
17	21091	1	Coupling

Part numbers marked with an asterisk (*) are included with
421293BK Valve Assembly

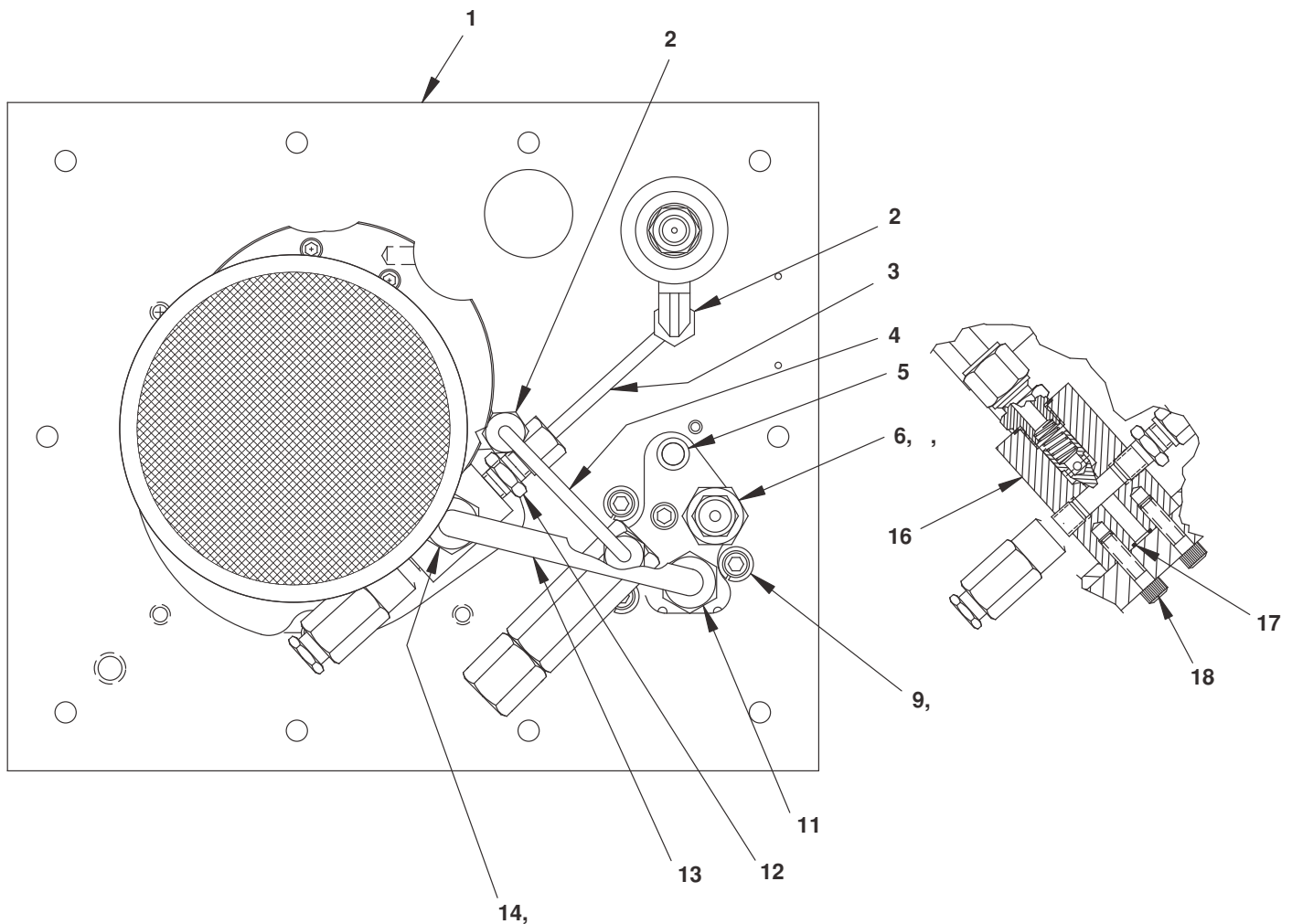
GENERAL PUMP SIDE VIEW



Item No.	Part No.	No. Req'd	Description
1	3000113BK	1	Valve, Solenoid (4 Way Open Ctr)
2	10016	3	Screw, Socket Hd (1/4-20 x 1)
3	351095	1	Gasket, Valve
4	360029	1	Tube, Oil Line
5	21943	1	Accumulator

Item No.	Part No.	No. Req'd	Description
6	14844	3	Fitting, Straight (1/8 NPTF)
7	21344	1	Screen, Filter
8	41064-2	1	Pump, Basic
9	421429	1	Regulator, Pressure
10	10527	1	O-Ring (Nitrile .37 x .25)

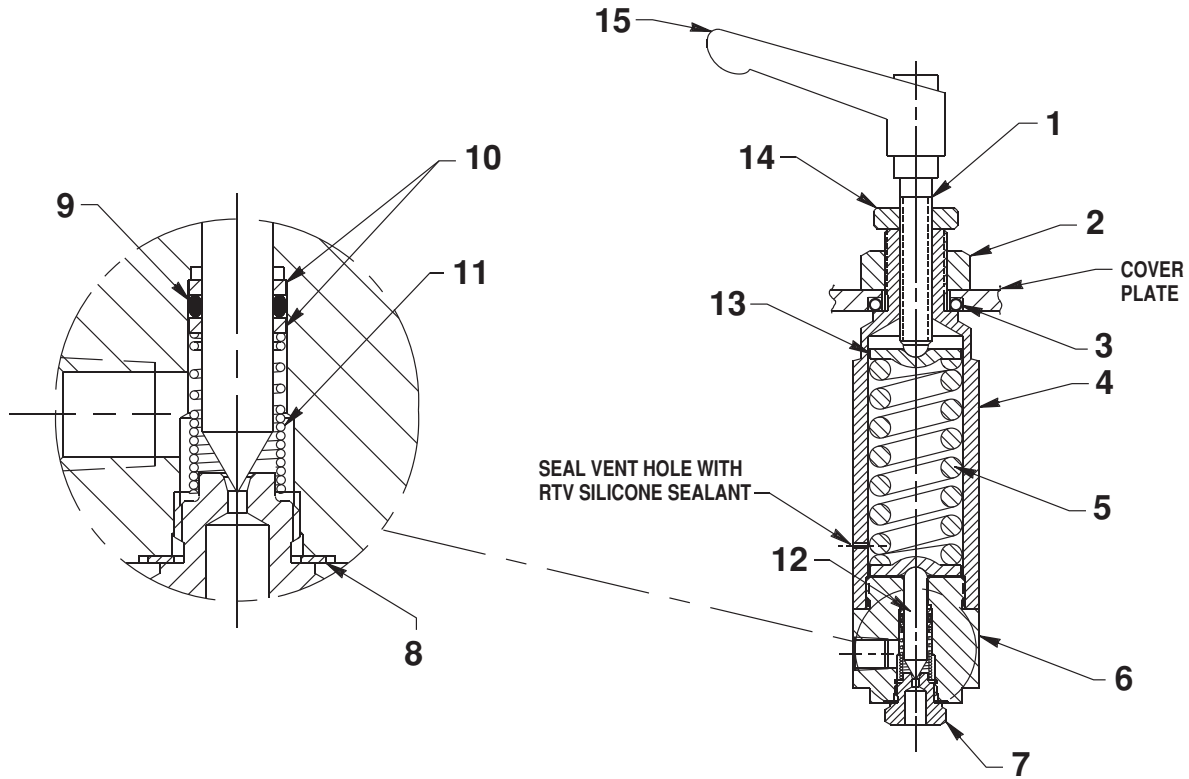
GENERAL PUMP BOTTOM VIEW & SECTION A-A



Item No.	Part No.	No. Req'd	Description
1	2000212	1	Plate, Cover
2	16177	2	90° Elbow Fitting
3	2000221	1	Tube, Oil Line
4	253562	1	Tube, Pressure Regulator
5	250630	1	Tube, Drain
6	21278-15	1	Valve, Relief 1500 psi
7	18841	1	Fitting, Straight(1/8 NPTF)
8	15456	1	Fitting, Straight(1/8 NPTF)
9	10008	3	Screw, Socket Hd (1/4-20 x 3/4) (Apply Loctite #243, Torque to 110-120 In. Lbs.)
10	10245	3	Washer, Lock (.49 x .26)

Item No.	Part No.	No. Req'd	Description
11	10661	1	Fitting, Straight(1/4 NPTF)
12	14844	1	Fitting, Straight(1/8 NPTF)
13	351203	1	Tube, Oil Line
14	10430	1	Sleeve, Tube (3/8 Dia.)
15	10431	1	Fitting, Nut Tube 3/8 Tube
16	21277-2	1	Valve, Check and 10,000 psi Relief
17	10266	1	O-Ring (Nitrile .37 x .25)
18	10015	2	Screw, Socket Hd (1/4-28 x 1) (Torque to 130-180 In. Lbs.)

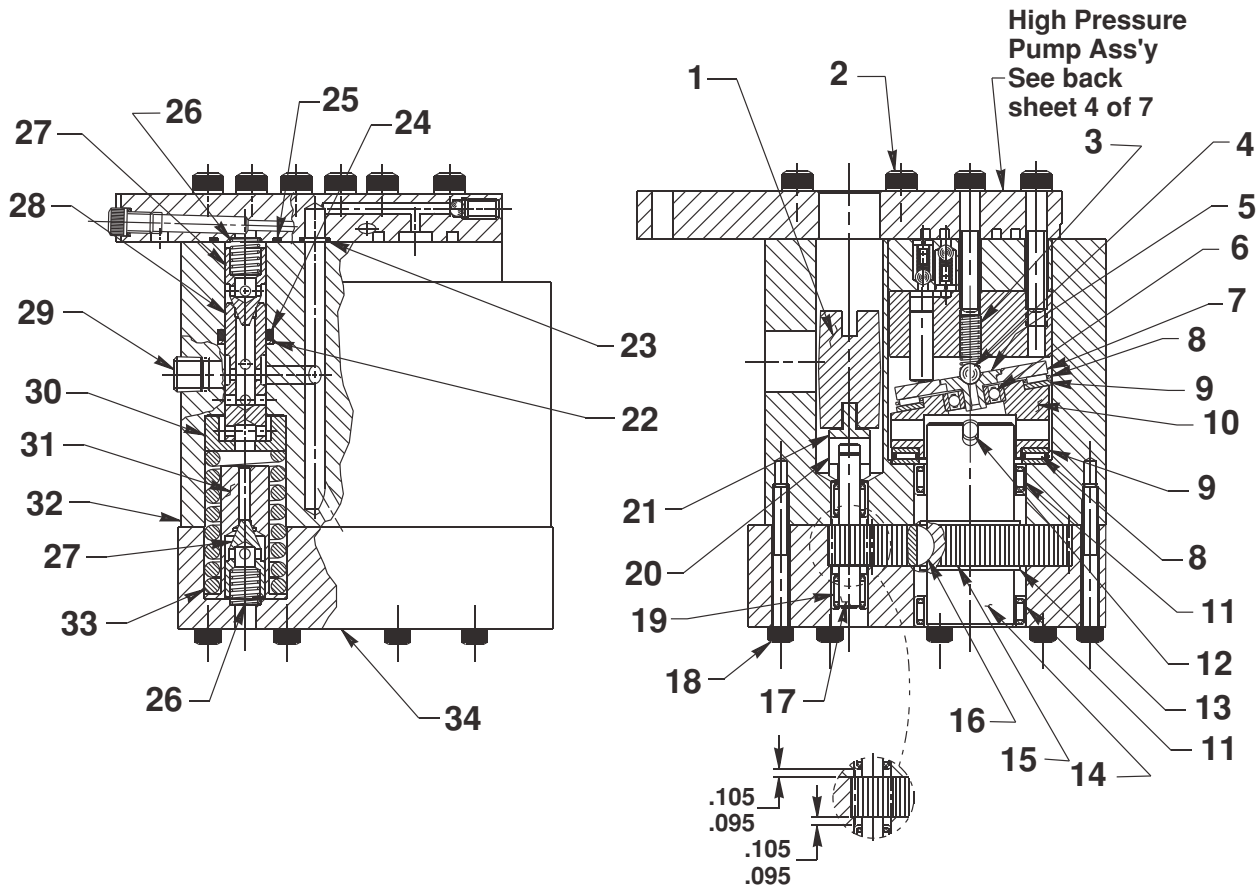
#421429 PRESSURE REGULATOR ASSEMBLY



Item No.	Part No.	No. Req'd	Description
1	252427	1	Adjustment Stem (Note: Assemble to handle with Loctite 242 or equiv.)
2	10396	1	Jam Nut (3/4"-16)
3	10527	1	O-ring (Note: Not Included with Assembly)
4	351350	1	Regulator Housing
5	215429	1	Compression Spring (1.100 O.D. X 2-1/2 Lg.)
6	420891	1	Regulator Body
7	351343	1	Seat Fitting (Torque to 440/460 in. lbs.)
8	14874	1	Copper Washer (.700 X 1/2 X 1/32)

Item No.	Part No.	No. Req'd	Description
9	10266	1	O-ring (3/8 X 1/4 X 1/16)
10	215430	2	Backup Washer (.385 x .282 x .050)
11	215431	1	Spring (3/8 O.D. x 21/32 Lg.; Note: Assemble closed coils of spring form towards seat fitting [Item#7])
12	309079	1	Poppet
13	215428	2	Spring Retainer (Grease pocket before assembling [both ends])
14	215683	1	Regulator Locking Nut (3/8-24)
15	252332	1	Adjustable Handle

BASIC PUMP ASSEMBLY

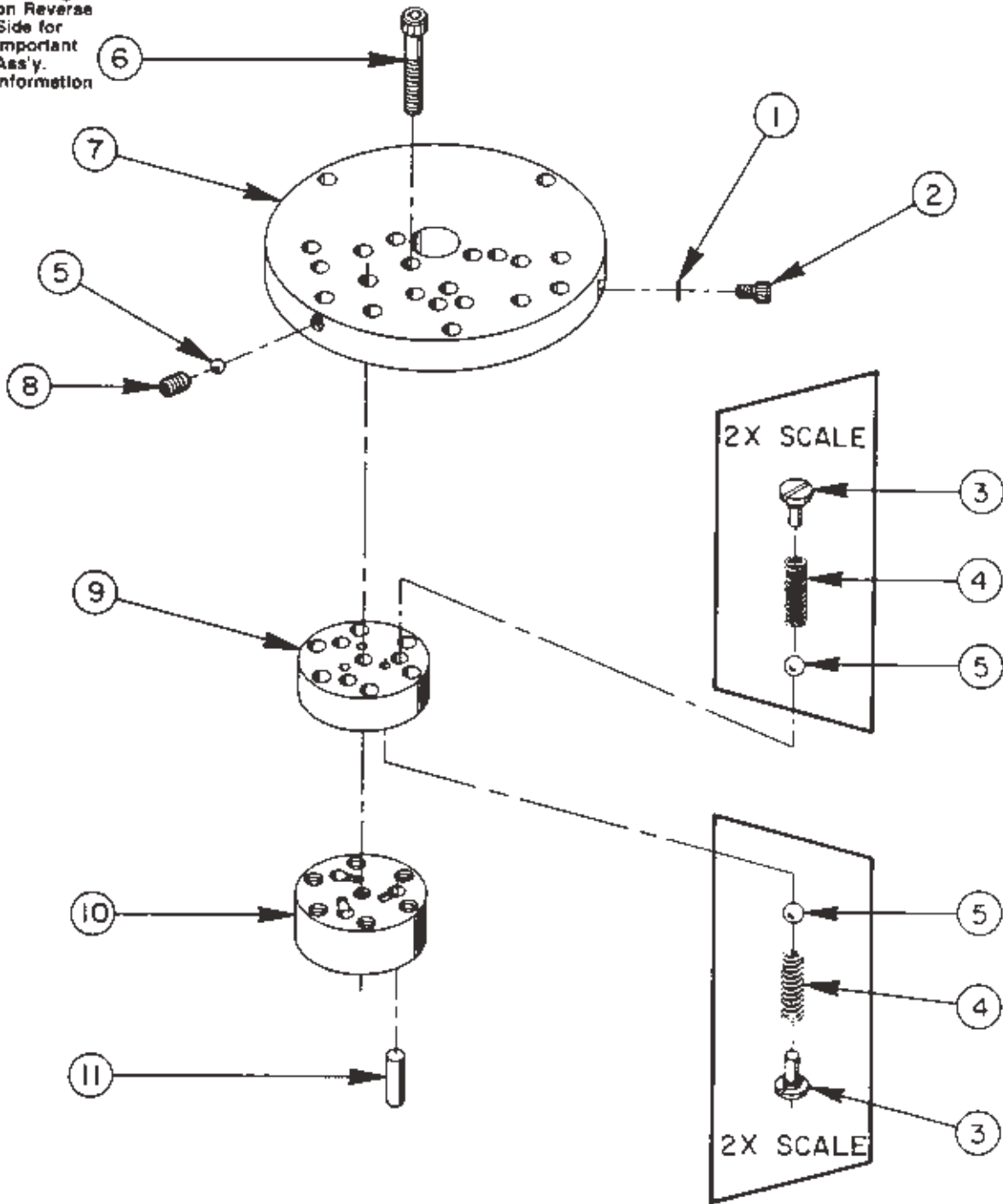


Item No.	Part No.	No. Req'd	Description
1	21091	1	Coupling
2	10020	9	Soc. Hd. Screw (1/4-20 x 1-1/4; Torque to 170/180 in. lbs.)
3	10361	1	Spring (.25 OD x 1" x .03 WS)
4	10375	1	Ball (1/4 dia. steel)
5	23547	1	Bearing Top Plate
6	11814	1	Ball Bearing
7	23548	1	Top Plate
8	11228	2	Needle Bearing
9	11813	3	Bearing Race
10	23549	1	Angle Plate
11	11064	2	Needle Bearing
12	11955	1	Spring Slotted Pin (.25 x 1.75)
13	11261	2	Ext. Retaining Ring (1.05 x .050)
14	23556	1	Shaft
15	23574	1	Drive Gear
16	11821	1	Woodruff Key
17	20774	1	Connector Fitting (9/16 x 5/8)

Item No.	Part No.	No. Req'd	Description
18	10001	13	Soc. Hd. Screw (10-32 x 1-3/4; Torque to 50/60 in. lbs.)
19	11198	2	Needle Bearing
20	21093	1	Key
21	21092	1	Adapter
22	12389	1	Backup Washer (.69 x .50)
23	10266	1	O-ring (.37 x .25 Nitrile)
24	10271	1	O-ring (.68 x .50 Nitrile)
25	10303	1	O-ring (.87 x .75 Nitrile)
26	10425	2	Spring (.37 OD x .75 x .03 WS)
27	20771	2	Poppet
28	0849	1	Spool
29	10427	1	Plug Fitting (1/8 NPTF)
30	23255	1	Spring Guide
31	23256	1	Spring Guide
32	40071	1	Pump Body
33	10426	1	Spring (1" OD x 1.8 x .19 WS)
34	40072	1	End Plate

HIGH PRESSURE PUMP ASSEMBLY

See Diagram
on Reverse
Side for
Important
Ass'y.
Information



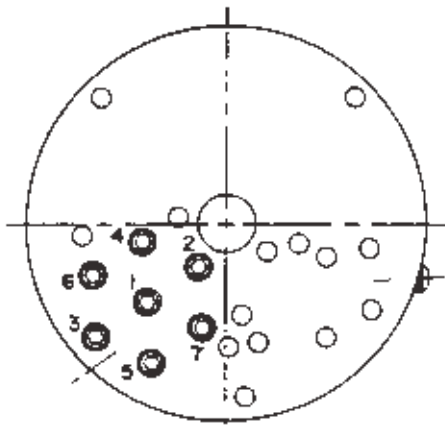
33113 HIGH PRESSURE PUMP ASSEMBLY

3 Pistons --- 9/32 Dia.

Item No.	Part No.	No. Req'd	Description
1	10442	1	Copper Washer
2	10002	1	Soc. Hd. Cap Screw (1/4-20 UNC X 3/8 Lg.; Torque to 140/160 in. lbs.)
3	*24549	6	Valve Guide
4	*10445	6	Compression Spring (5/32 O.D. X 3/4 Lg.)
5	*12223	7	Steel Ball (3/16 dia.)
6	*10023	7	Soc. Hd. Cap Screw (1/4-28 UNF X 1-1/2" Lg.; Torque to 170/180 in. lbs.)
7	*50411	1	Top Plate
8	10519	1	Soc. Set Screw (Torque to 65/70 in. lbs.)
9	*40630	1	Valve Head
10	*41062	1	Pump Barrel
11	*21628	3	Piston

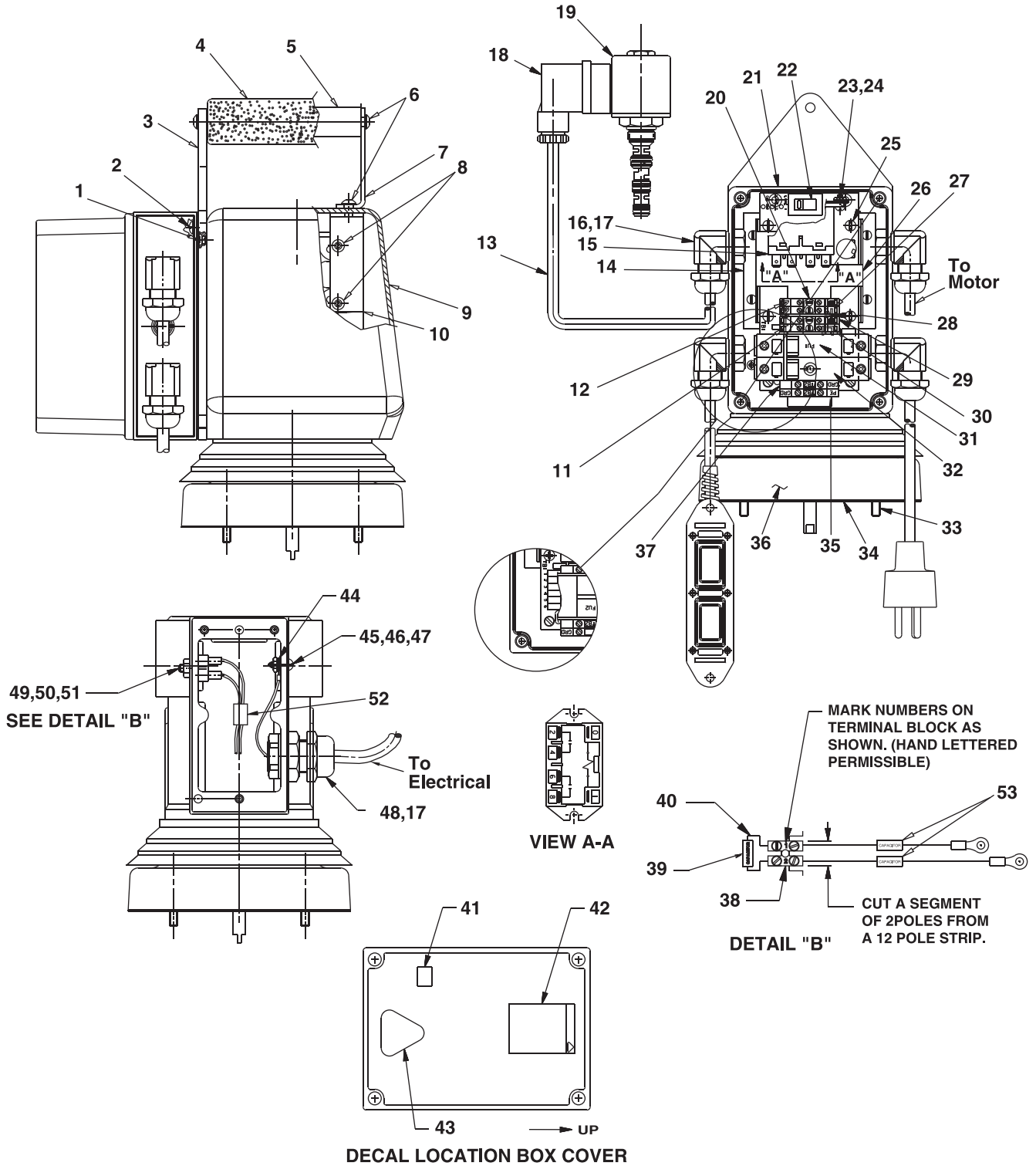
Consult factory when replacing items marked with an asterisk (*).

BOLT TIGHTENING SEQUENCE



Note: Assemble in sequence shown.
Lubricate under head and on threads.
Torque to 170/180 in. lbs.

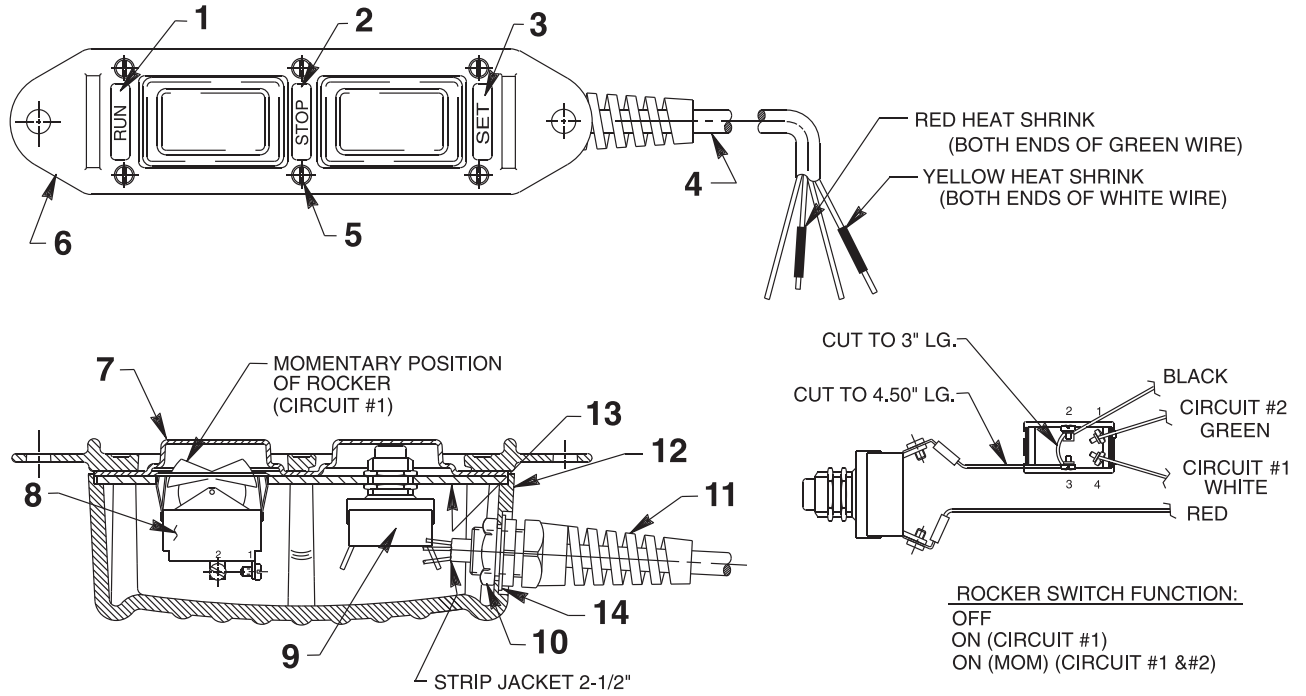
MOTOR AND CONTROL ASSEMBLY



Parts List, Form No. 1000048CE, Back sheet 5 of 7

Item No.	Part No.	No. Req'd	Description
1	253140	3	Screw, Flat Hd. (10-24 x 5/8)
2	12409	4	Screw, Round Hd. (8-32 x 5/8)
3	59028BK2	1	Mounting Bracket
4	216668	1	Grip, Handle
5	252020	1	Handle
6	251437	4	Screw, Button Hd. (1/4-20 x 1/2)
7	351189BK2	1	Bracket, Handle
8	251486	4	Screw, Button Hd. (10-24 x 1/2)
9	65758	1	Cover
10	421212	1	Bracket
11	2000162	2	Card, Marker 1
12	2000163	2	Card, Marker 2
13	253592	1	Cable, (.75MM/3 HAR 1.42 Ft.)
14	421663	1	Relay, 240 Volt
	360001	1	Relay, 120 Volt (for PE55TWP-E110)
15	351588	1	Mounting Plate
16	260068	4	Bushing, Strain Relief 90 Degree
17	216680	5	Conduit Locknut
18	253405	1	Connector
19	351844	1	Valve, Solenoid (4 way 3000 psi)
	351843	1	Valve, Solenoid (4 way 3000 psi; for PE55TWP-E110)
20	251845	2	Jumper, Center 2-Pole
21	59036	1	Control Box
22	421477	1	Board, Circuit
23	10447	2	Screw, Round Hd. (8-32 x 5/16)
24	10196	2	Nut, Hex (8-32)
25	260071	4	Screw, Round Hd. (8-32 x 3/4)
26	421608WH2	1	Mounting Bracket
27	2000160	1	Card, Marker N
28	251842	1	Barrier, End
29	251840	1	Block, Terminal
30	2000159	1	Card, Marker L1
31	360002-15	1	Breaker, Circuit 15 amp
	253135	1	Fuse Holder (for PE55TWP-E110)
32	351668	1	Fuse Holder
	253135	1	Fuse Holder (for PE55TWP-E110)
33	10022	4	Screw, Cap (1/4-20 x 1.5 Socket Hd.)
34	30650	2	Gasket, Motor Base
35	2000161	1	Card, Marker PE
36	65065	1	Basic Motor (220/230 V. 50/60 Hz.; See sheet 6 of 7)
	65249	1	Basic Motor (for PE55TWP-E110)
37	251841	2	Block, Grounding Terminal
38	351130	1	Block, Terminal
39	252195	1	Capacitor
40	206314	1	Tubing, Electrical (2.0 Ft)
41	350988	1	Decal, CE
42	251762	1	Decal, Warning
43	251898	1	Decal, Warning (CE Elec)
44	10443	1	Jumper, Center (2 Pole)
45	12354	1	Screw, Round Hd. (10-24 x 5/8)
46	11108	2	Washer, Tooth Ext (.40 x .20)
47	10197	2	Nut, Hex (10-24)
48	216666	1	Bushing, Strain Relief
49	10160	1	Screw, Machine (#6-32 x .875 Flat Slot Hd.)
50	15906	1	Washer, Tooth Ext (.31 x .15)
51	10195	1	Nut, Hex (6-32)
52	2000503	1	Ferrite Bead
53	2000504	2	Capacitor (250V)

#351160 REMOTE HAND SWITCH ASSEMBLY

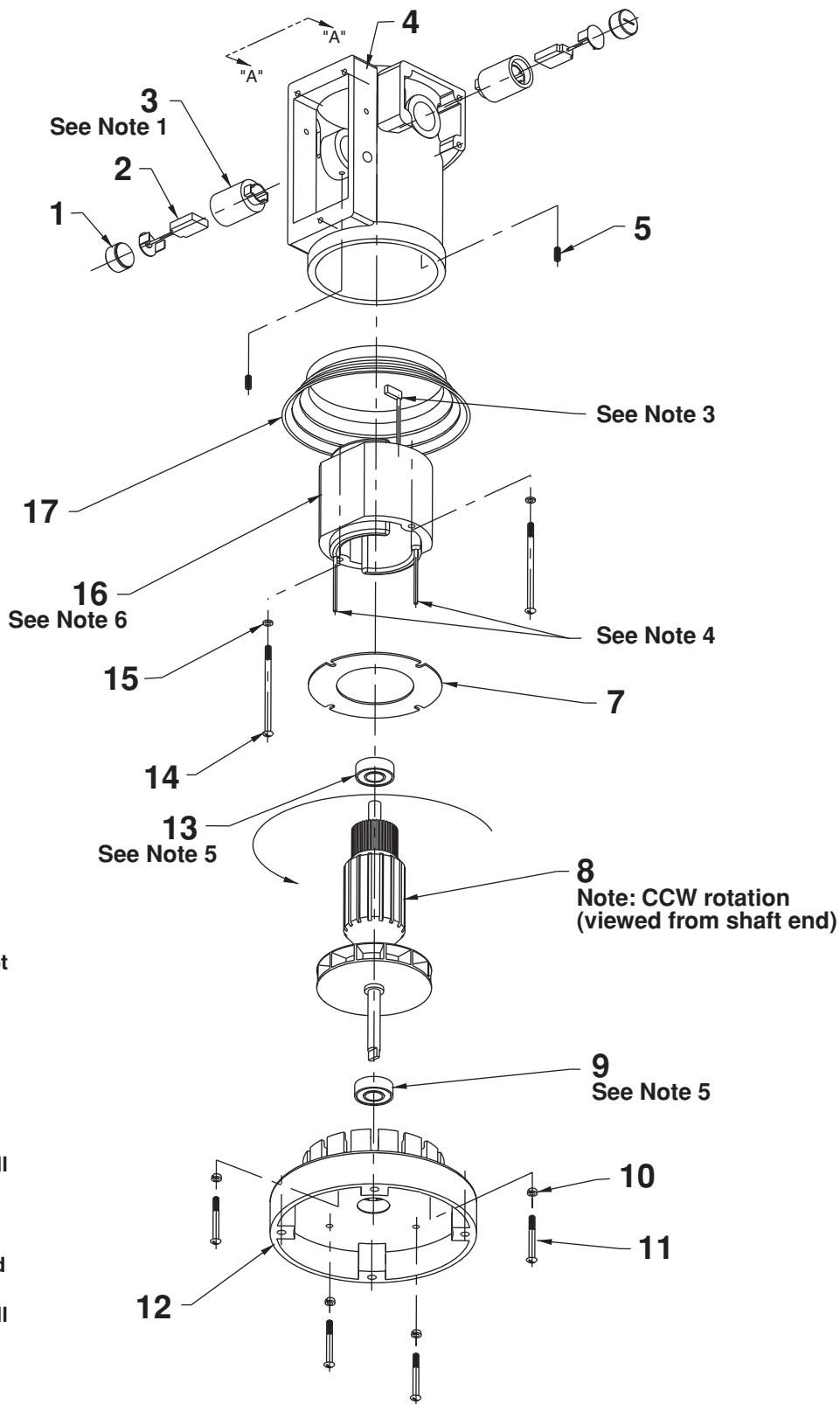


ROCKER SWITCH FUNCTION:
 OFF
 ON (CIRCUIT #1)
 ON (MOM) (CIRCUIT #1 & #2)

Item No.	Part No.	No. Req'd	Description
1	203770	1	Decal (Run)
2	203769	1	Decal (Stop)
3	252431	1	Decal (Set)
4	11391	21'	Cable (18/4 SJTO)
5	250248	6	Screw (4-24 X 3/4 Lg.)
6	251044	1	Plastic Cover
7	420050-2	1	Gasket

Item No.	Part No.	No. Req'd	Description
8	420017	1	Rocker Switch
9	253197	1	Push Button Switch
10	251802	1	Locknut
11	251818	1	Strain Relief Bushing
12	420050-4	1	Switch Housing
13	420050-5	1	Switch Mounting Plate
14	253607	1	Gasket

ELECTRIC MOTOR ASSEMBLY

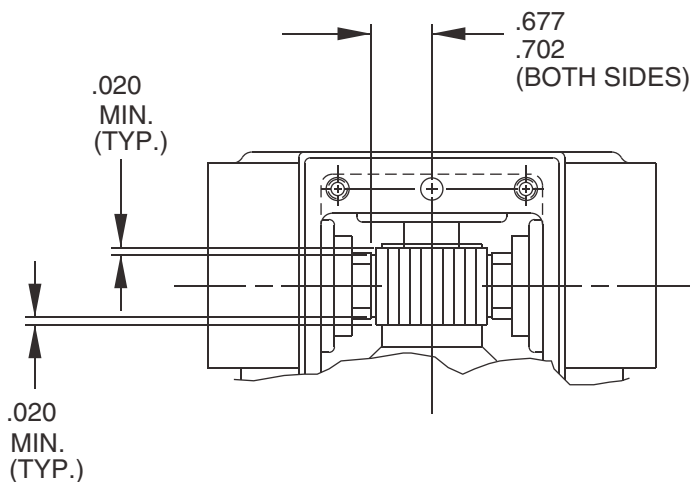


Notes:

- Brush holders (#10805) must be installed with slot and dimple facing the open end of the motor shell casting.
- Stator must be installed with part no. and date code up (must be visible thru the rectangular opening in the motor shell casting).
- Insert flag terminals into adjacent brush holders.
- Line leads must be routed thru the rectangular opening in the motor shell casting.
- Press bearings on to armature and install as a unit into the motor shell casting.

Item No.	Part No.	No. Req'd	Description
1	10806	2	Brush Holder Cap
2	10804	2	Brush Assembly (For 115 v.)
	2001708	2	Brush Assembly (For 230 v.)
3	10805	2	Brush Holder
4	65064	1	Motor Shell
5	10133	2	Set Screw (#10-24 UNC X 1/4 Lg.)
7	20786	1	Baffle Plate
8	58841A	1	Armature (220 volt)
	10800	1	Armature (115 volt for 55TWP-4-E110)
9	10438	1	Ball Bearing
10	10241	4	Lockwasher (For #10 bolt)
11	10169	2	Screw (#10-24 UNC X 2" Lg.; Torque to 20/25 in. lbs.)
12	40059WH2	1	Motor Base
13	10439	1	Ball Bearing
14	10170	2	Screw (#10-24 UNC X 3-1/4 Lg.)
15	12356	2	Washer (#10 Internal Tooth)
16	58841F	1	Field (220 volt)
	10802	1	Field (115 volt for 55TWP-4-E110)
17	421204	1	Plastic Cover

BRUSH HOLDER & ARMATURE INSTALLATION SPECIFICATION



When replacing brushes or the armature, the dimensions shown must be as specified.

**RECOMMENDED MINIMUM WIRE SIZE-AWG (mm²)
OF EXTENSION CORDS FOR
POWER TEAM ELECTRIC PUMPS**

Current At Full Load (Amps)	Cord Size AWG (mm ²) 3.2 Volt Drop			
	Length of Cord			
	0-25 feet (0-8 m)	25-50 feet (8-15 m)	50-100 feet (15-30 m)	100-150 feet (30-45 m)
6	18 (.82)	16 (1.33)	14 (2.09)	12 (3.32)
8	18 (.82)	16 (1.33)	12 (3.32)	10 (5.37)
10	18 (.82)	14 (2.09)	12 (3.32)	10 (5.37)
12	16 (1.33)	14 (2.09)	10 (5.37)	8 (8.37)
14	16 (1.33)	12 (3.32)	10 (5.37)	8 (8.37)
16	16 (1.33)	12 (3.32)	10 (5.37)	8 (8.37)
18	14 (2.09)	12 (3.32)	8 (8.37)	8 (8.37)
20	14 (2.09)	12 (3.32)	8 (8.37)	6 (13.30)
22	14 (2.09)	10 (5.37)	8 (8.37)	6 (13.30)
24	14 (2.09)	10 (5.37)	8 (8.37)	6 (13.30)
26	12 (3.32)	10 (5.37)	8 (8.37)	6 (13.30)
28	12 (3.32)	10 (5.37)	6 (13.30)	4 (21.29)
30	12 (3.32)	10 (5.37)	6 (13.30)	4 (21.29)