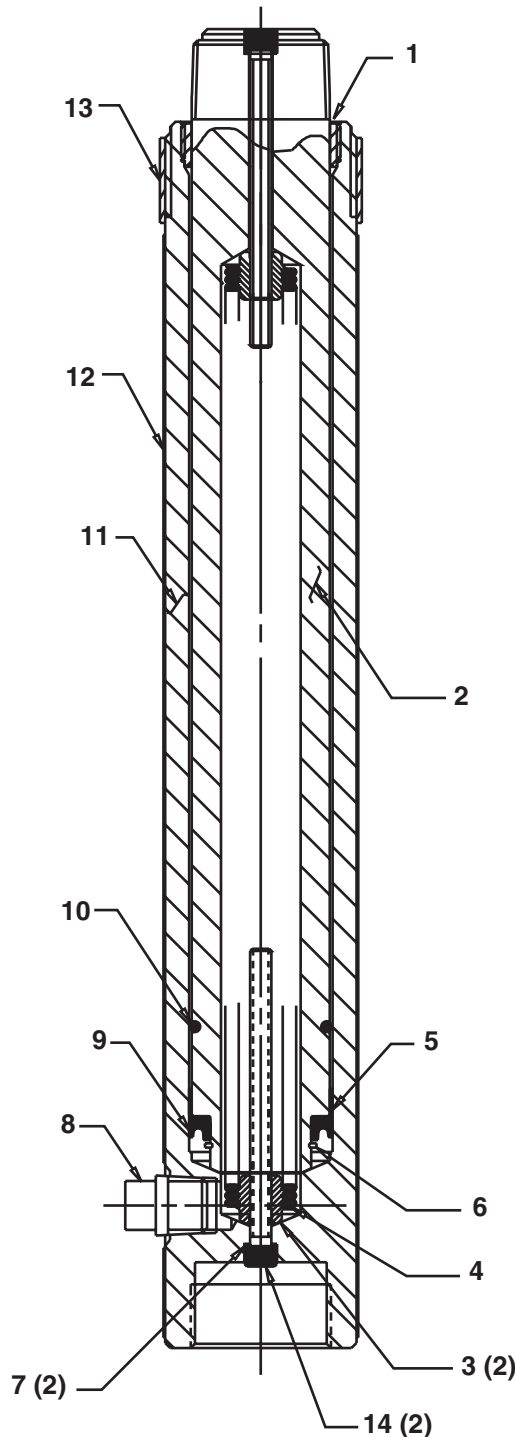


**SINGLE-ACTING, SPRING RETURN
HYDRAULIC CYLINDER**
Maximum Capacity: 10 Ton At 8,950 PSI



Parts List, Form No. 1000133, Back sheet 1 of 1

Item No.	Part No.	No. Req'd	Description
1	351354	1	Retainer Nut
2	421425P-A	1	Piston Rod (For 4088A)
	421380P-A	1	Piston Rod (For 4089A)
3	201360	2	Retainer, Spring
4	201431	1	Extension Spring (For 4088A)
	201432	1	Extension Spring (For 4089A)
5	252341	1	Bushing
6	16076	1	Retaining Ring
7	10442	2	Washer, Plain- Special
8	11127	1	Fitting, Plug (3/8 NPTF)
9	16067	1	U-cup
10	252399	1	Retaining Ring
11	421424A	1	Cylinder Body (For 4088A)
	421378A	1	Cylinder Body (For 4089A)
12	501455A	1	Complete Coverage Decal (For 4088A)
	501456A	1	Complete Coverage Decal (For 4089A)
13	252346	1	Thread Protector
14	16064	2	Screw, Soc Hd (1/4-20 x 3 1/2")

Refer to any operating instructions included with this product for detailed information about operation, testing, disassembly, reassembly, and preventive maintenance.

Items found in this parts list have been carefully tested and selected. **Therefore: Use only genuine Power Team replacement parts!**

Additional questions can be directed to our Technical Services Department.