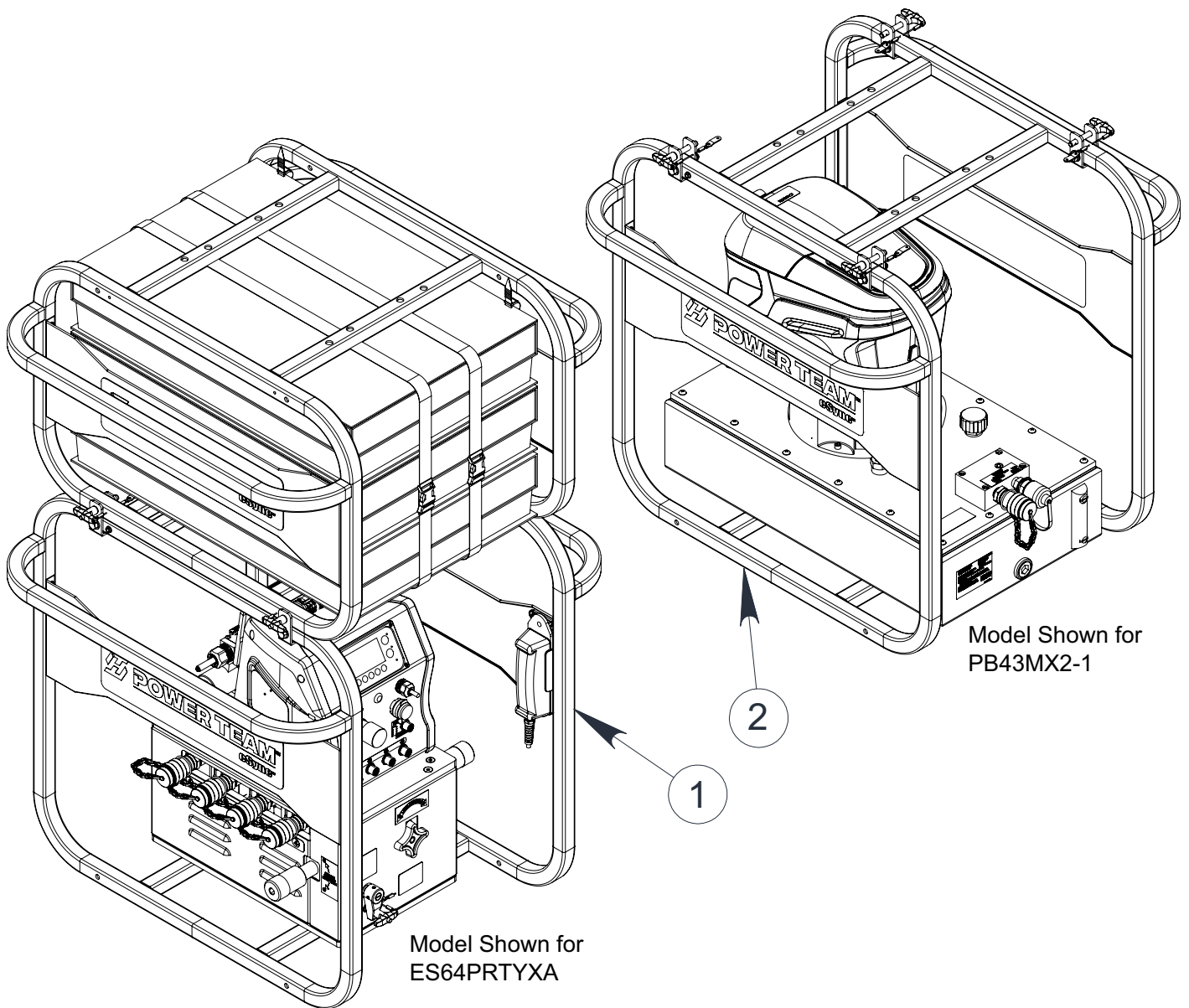


Parts List For:

ES64PRTYXA	ES64PRTYXB
ES64PRTWXA	ES64PRTWXB
ES64PRTZXA	ES64PRTZXB
ES64PRTXXA	ES64PRTXXB

eSync (Cordless)

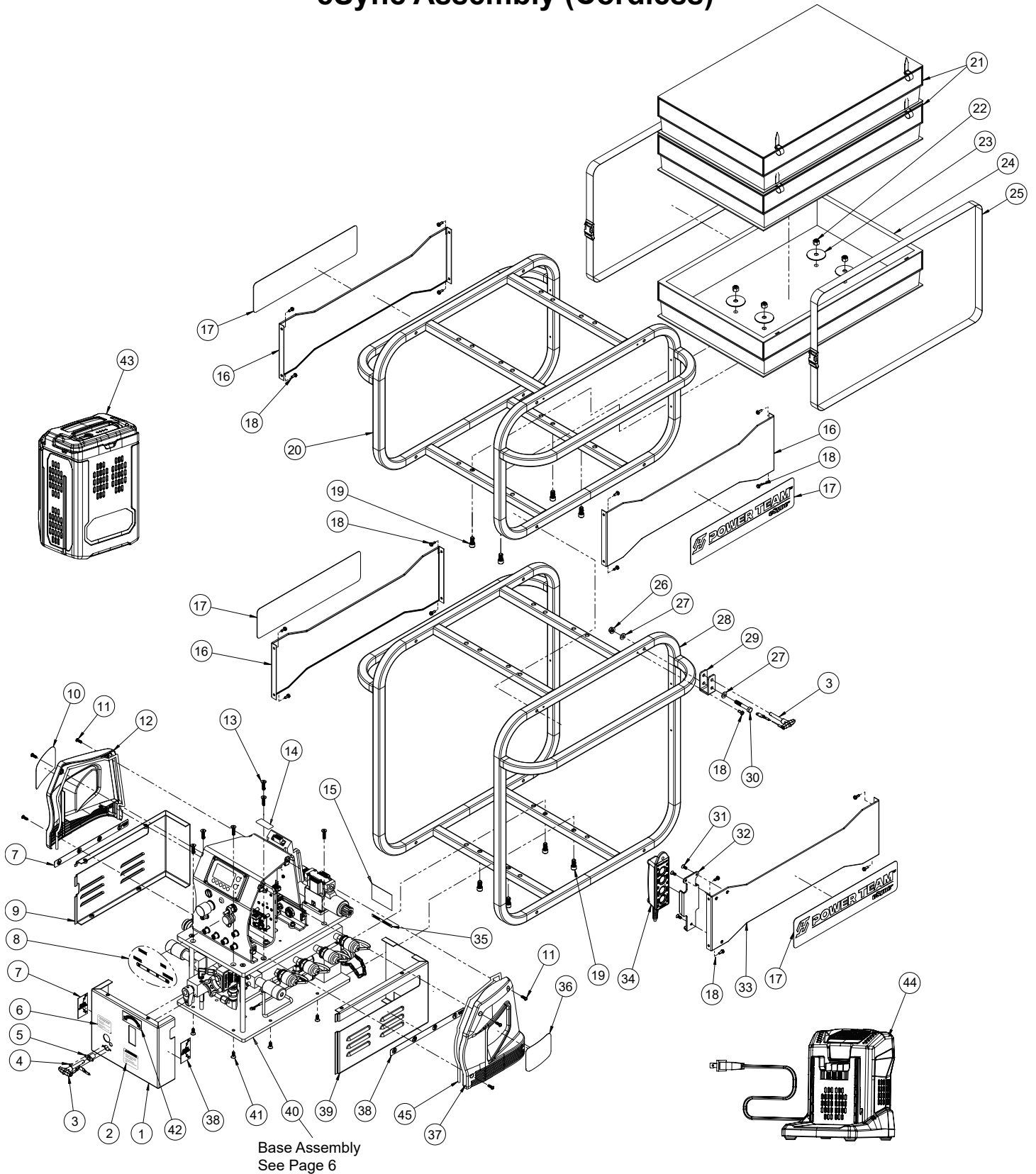
PORTABLE HYDRAULIC SYNCHRONIZED MOTION CONTROL SYSTEM



Parts List Continued

ITEM	PART NO.	DESCRIPTION	
1	ES64PRTYXA	ESYNC - TOP LEVEL, BATTERY, US CHARGER	
	ES64PRTZXA	ESYNC - TOP LEVEL, BATTERY, EU CHARGER	
	ES64PRTWXA	ESYNC - TOP LEVEL, BATTERY, UK CHARGER	
	ES64PRTXXA	ESYNC - TOP LEVEL, BATTERY, AU CHARGER	
2	PB43MX2-1	60V PUMP MANIFOLD, US CHARGER	For Pump Parts List Please Refer Document - 1001594
	PB43MX2-2	60V PUMP MANIFOLD, EU CHARGER	
	PB43MX2-3	60V PUMP MANIFOLD, UK CHARGER	
	PB43MX2-4	60V PUMP MANIFOLD, AU CHARGER	
1 & 2	ES64PRTYXB	ESYNC - TOP LEVEL, BATTERY, US with PB43MX2-1 PUMP US	
	ES64PRTZXB	ESYNC - TOP LEVEL, BATTERY, EU with PB43MX2-2 PUMP EU	
	ES64PRTWXB	ESYNC - TOP LEVEL, BATTERY, UK with PB43MX2-3 PUMP UK	
	ES64PRTXXB	ESYNC - TOP LEVEL, BATTERY, AU with PB43MX2-4 PUMP AU	

eSync Assembly (Cordless)



Parts List Continued

ITEM	PART NO.	DESCRIPTION	QTY.
1	2011116	COVER PLATE FRONT - ESYNC	1
2	1001575	DECAL, RETURN VALVE	1
3	2011131	T-HANDLE LOCK PIN, .313 OD X 1.578	5
4	251250	SCREW, #6-32 X 0.25 BHCS	2
5	2011435	RECEPTACLE, DOWEL PIN	1
6	1001576	DECAL, RETURN WARNING	1
7	1001457	DECAL, ESYNC ADVANCE PORTS AND VALVE	1
8	1001454	DECAL, ESYNC U-BRACKET COVER	1
9	2011118	COVER PLATE LEFT- ESYNC	1
10	1001447	DECAL, POWER TEAM ESYNC SHROUD LEFT	1
11	2010897	SCREW, BHC 10-24 UNC X 0.62	8
12	2010429	SHROUD, MOTOR - LEFT SIDE	1
13	215757	SCREW, FLAT 1/4-20 X 1 (Torque to 60 In. Lbs.)	6
14	1001535	DECAL, WARNING BATTERY USAGE	1
15	1001519	DECAL, IDENTIFICATION, BATTERY - ESYNC (Used on ES64PRTWXA, ES64PRTXXA, ES64PRTYXA, ES64PRTYXB and ES64PRTZXA)	1
	1001519CE	DECAL, IDENTIFICATION, BATTERY - ESYNC CE (Used on ES64PRTWXB, ES64PRTXXB and ES64PRTZXB)	1
16	2011130	COVER, SMALL SIDE	3
17	1001453	DECAL, POWER TEAM ESYNC MOD CAGE COVER	4
18	2010350	SCREW, HEX WASHER HD. TAPPING	20
19	HDT10464	SCREW, 3/8-16UNC X 0.75IN SHC G8 ST BOX (Torque to 145 In. Lbs.)	8
20	3001420	CAGE, SMALL LOOP, WELDED	1
21	3001440	ASSEMBLY, SENSOR CABLE BOX (See Page 17)	2
22	HDT12013	NUT, 3/8-16 HEX LOCK	4
23	2011254	WASHER, PLAIN .406 X 2.000 X .062	4
24	3001442	ASSEMBLY, SENSOR BOX (See Page 18)	1
25	2011246	STRAP, BUCKLE	2
26	2008623	NUT, HEX FLANGE 5/16-18 NYLOCK	4
27	HDT10257	WASHER, PLAIN 0.35 x 0.67 x 0.07 ZINC	8
28	3001419	CAGE, LARGE LOOP, WELDED	1
29	2011127	U-BRACKET, MOD CAGE	4
30	10036	SCREW, HEX CAP 5/16-18 X 2	4
31	2010552	SCREW, FLAT #10-32 x .5 - BL ZINC PLATED	3
32	2010498	HOLSTER, PENDANT	1
33	2011253	SIDE COVER, SMALL, PENDANT	1
34	3001429	ASSEMBLY, 4 BUTTON PENDANT - ESYNC	1
35	1001456	DECAL, ESYNC PRESSURE AND RETURN PORT	1

Parts List Continued

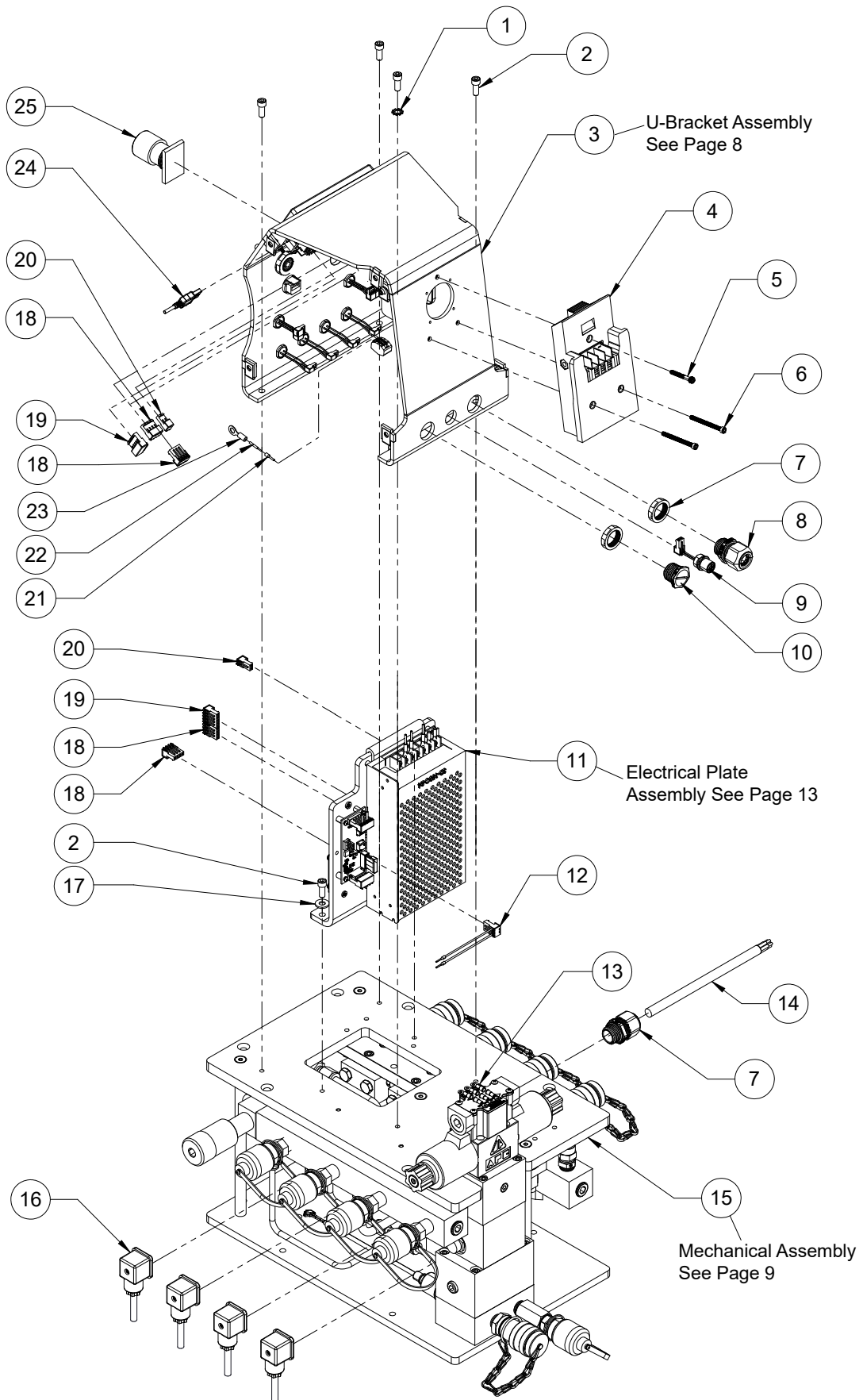
ITEM	PART NO.	DESCRIPTION	QTY.
36	1001452	DECAL, POWER TEAM ESYNC SHROUD RIGHT	1
37	2010430	SHROUD, MOTOR - RIGHT SIDE	1
38	1001458	DECAL, ESYNC RETRACT PORTS AND VALVE	1
39	2011117	COVER PLATE RIGHT - ESYNC	1
40	3001491	ASSEMBLY, BASE (BATTERY)- ESYNC (Torque to 60 In. Lbs.)	1
41	251488	SCREW, FLAT 1/4-20 X 0.63	6
42	1001455	DECAL, ESYNC FRONT COVER PLATE SECTION	1
43	2010994	BATTERY, 60V-8Ah Li-ION TYPE	1
44	2010995	CHARGER, 60V 5.5A (Used on ES64PRTYXA and ES64PRTYXB)	1
	2011156	CHARGER, 60V 5.5A 240VAC CE (Used on ES64PRTZXA and ES64PRTZXB)	1
	3001464	CHARGER, 60V 5.5A UK (Used on ES64PRTWXA and ES64PRTWXB)	1
	3001465	CHARGER, 60V 5.5A AU (Used on ES64PRTXXA and ES64PRTXXB)	1
45	2010570	CORD, FOAM	2
PARTS INCLUDED BUT NOT SHOWN			
	3001493	ASSEMBLY, PUMP TETHER (See Page 19)	1
	1001375	DECAL, BATTERY SPECIFICATIONS (Used on Battery 2010994)	1
	1001376	DECAL, BATTERY CAPACITY INDICATOR (Used on Battery 2010994)	1
	1001377	DECAL, POWER TEAM BATTERY PB SERIES (Used on Battery 2010994)	1
	1001382	DECAL, CHARGER INDICATOR	1
	1001380	DECAL, CHARGER SPECIFICATIONS (Used on Charger 2010995)	1
	1001421	DECAL, 60V CHARGER SPECIFICATIONS CE (Used on Charger 2011156, 3001464 and 3001465)	1

Refer to any operating instructions included with the product for detailed information about operation, testing, disassembly, reassembly, and preventive maintenance.

Items found in this parts list have been carefully tested and selected. **Therefore: Use only genuine Power Team replacement parts!**

Additional questions can be directed to one of our Technical Services Departments.

Base Assembly - 3001491

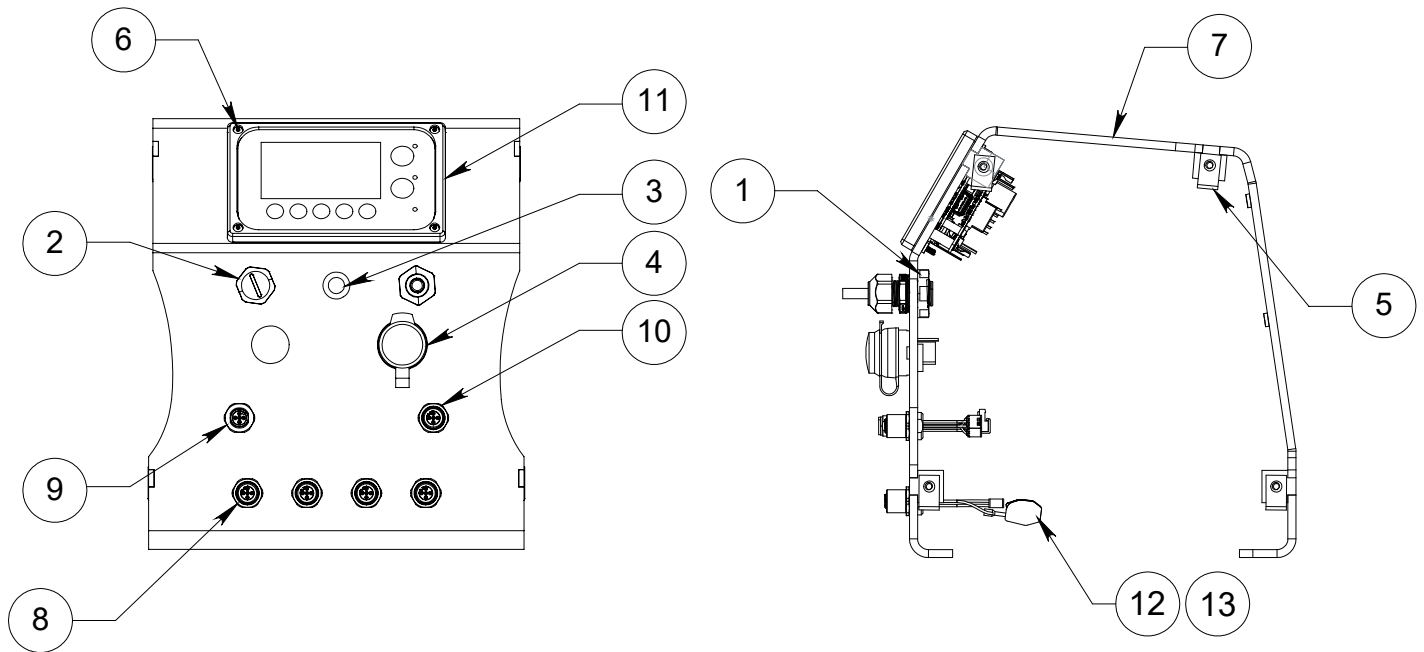


Parts List Continued

ITEM	PART NO.	DESCRIPTION	QTY.
1	HDT11351	WASHER, TOOTH EXT 0.500 x0.260	1
2	2010479	SCREW, SHC 1/4-20 X 0.63 - BLACK ZINC PL (Torque to 40 In. Lbs.)	6
3	3001415	ASSY, ELECT U-BRACKET - ESYNC	1
4	3001564	ASSEMBLY, 60V BATTERY ADAPTER CONNECTION	1
5	2011294	SCREW, SHC 8-32 X 1.25 - BLACK ZINC (Torque to 18 In. Lbs.)	1
6	2011293	SCREW, SHC 8-32 X 2.00 (Torque to 18 In. Lbs.)	2
7	2010475	LOCKNUT, NYLON - 1/2 NPT	2
8	2010473	CORDGRIP, LIQUID TIGHT - 1/2 NPT	2
9	3001563	ASSEMBLY, TETHER	1
10	2010477	PLUG, NYLON - 1/2 NPT	1
11	3001437	ASSY, ELECTRICAL PLATE BATTERY - ESYNC	1
12	3001554	HARNESS, UVLO TO E-STOP	1
13	2011245	TERMINAL, RING TONGUE 18-22 AWG #4 STUD	6
14	3001558	ASSEMBLY, CABLE, CONNECTORS	1
15	3001444	ASSEMBLY, MECHANICAL, ESYNC, 115VAC	1
16	3001480	ASSY, CORDSET W/HIRSCHMANN 20.00" LG	4
17	HDT12719	WASHER, PLAIN 0.28 x 0.63 x 0.07 STEEL	2
18	3001265	HARNESS, PE60 LCD CONNECTION WIRING	2
19	3001557	HARNESS, RB TO LCD BOARD	1
20	3001561	HARNESS, RB TO LCD POWER	1
21	2008241	FERRULE, INSULATED WIRE - 18 AWG RED	1
22	2011546	WIRE, 18AWG - GREEN, .086 OD	8 In.
23	19368	TERMINAL, RING TONGUE 16-22 AWG .25 STUD	1
24	2010741	CABLE, USB 2.0, 500MM, TYPE A	1
25	2011120	PUSHBUTTON SWITCH, EMERGENCY STOP	1
PARTS INCLUDED BUT NOT SHOWN			
	2008618	MOUNT, CABLE TIE	2
	4226-AA	CABLE TIE 8" LONG WHITE	6

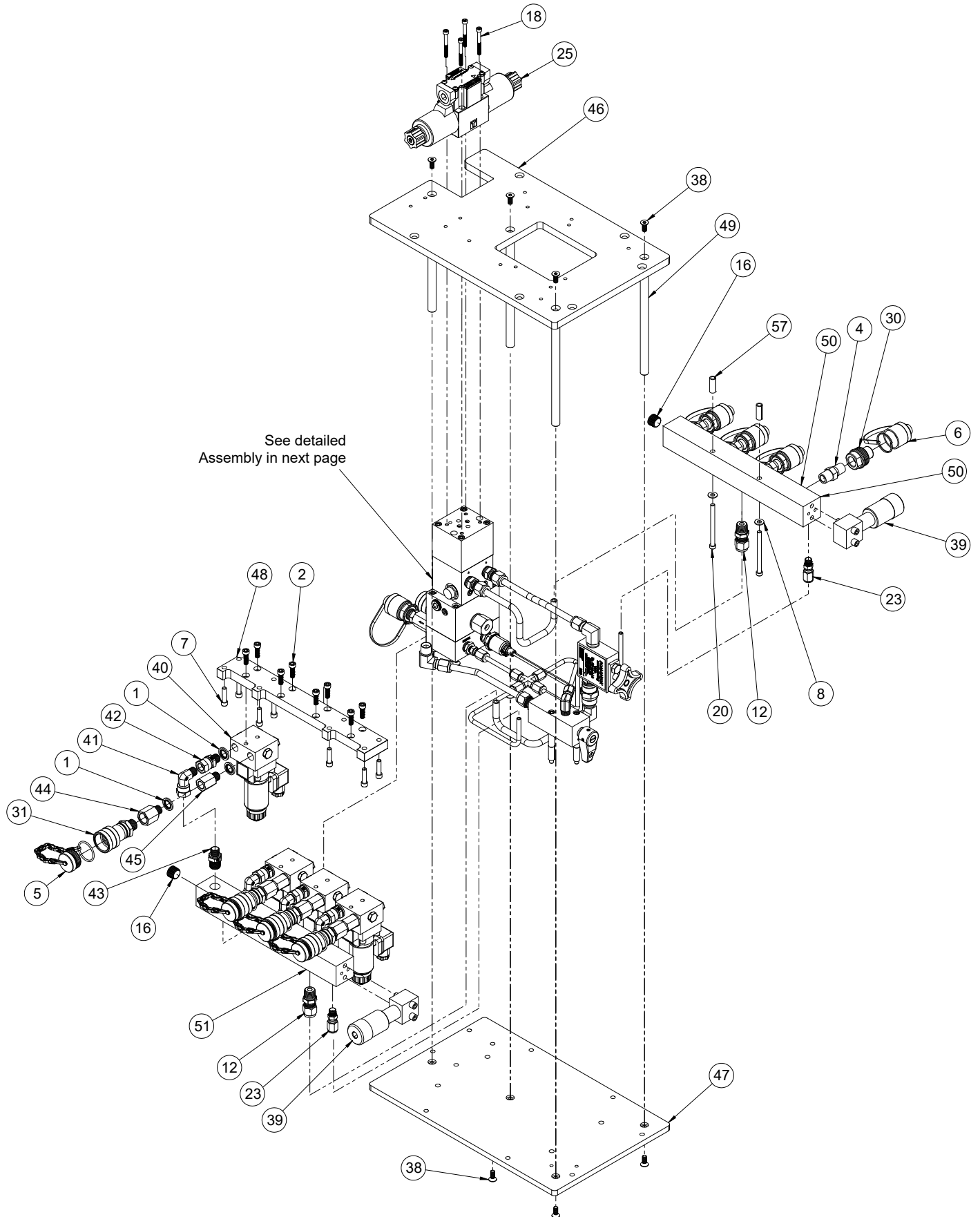
Parts List Continued

Electrical U-Bracket Assembly - 3001415

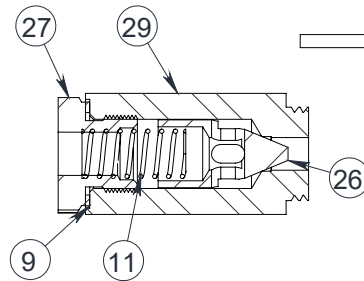
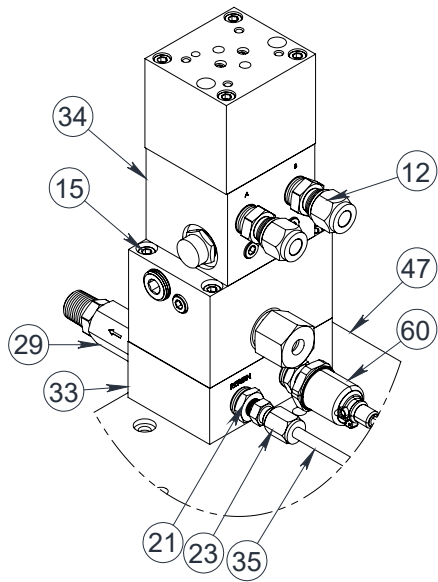
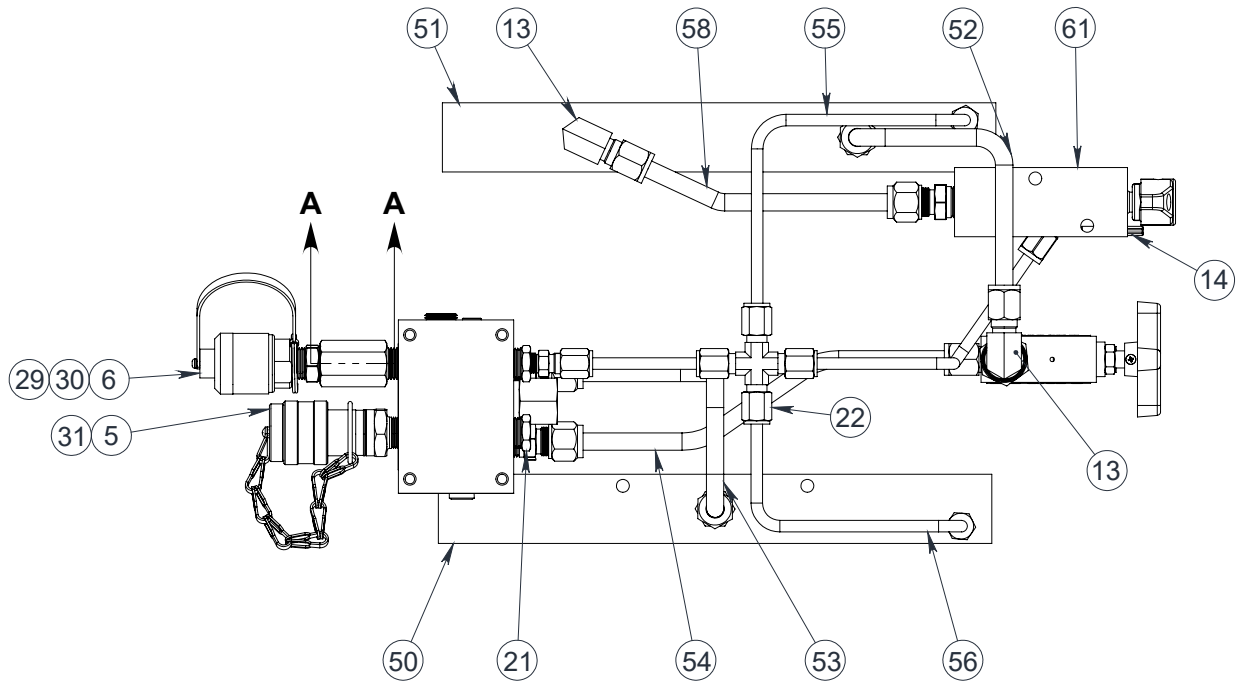


ITEM	PART NO.	DESCRIPTION	QTY.
1	2010474	LOCKNUT, NYLON - 3/8 NPT	1
2	2010476	PLUG, NYLON - 3/8 NPT	1
3	2010643	PLUG, .46 - .56 ID 14-20 GAUGE	1
4	2010742	CONN USB 3.0 SOCKET IP65	1
5	2010896	NUT, TINNEMAN 10-24	8
6	2010903	SCREW, BHC STD #4-40 x .75 -BL ZN PL	4
7	2011092	PLATE, U SHAPE ELECTRICAL MOUNT	1
8	3001421	ASSEMBLY, CONNECTOR, MALE 4-PIN	4
9	3001422	ASSEMBLY, CONNECTOR, MALE 5-PIN	1
10	3001423	ASSEMBLY, CONNECTOR, FEMALE 5-PIN	1
11	3001426	ASSEMBLY, LCD MEMBRANE - ESYNC	1
12	2010902	CONNECTOR, 2 CONDUCTOR TERMINAL (SPLICE)	1
13	2008242	FERRULE, INSULATED WIRE - 16 AWG BLACK	1

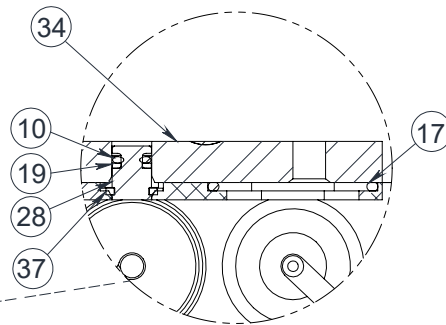
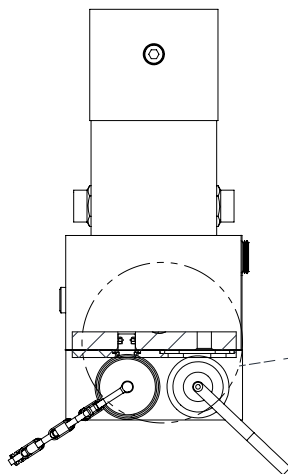
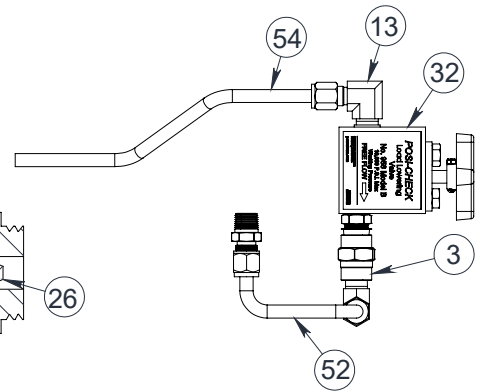
Mechanical Assembly - 3001444



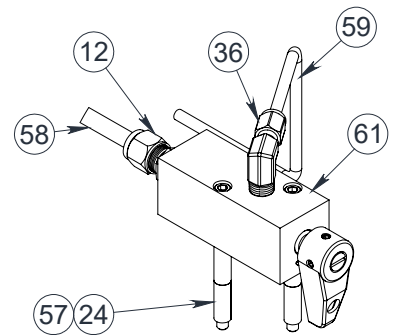
Parts List Continued



SECTION A-A



DETAIL A



VALVE ASSEMBLY

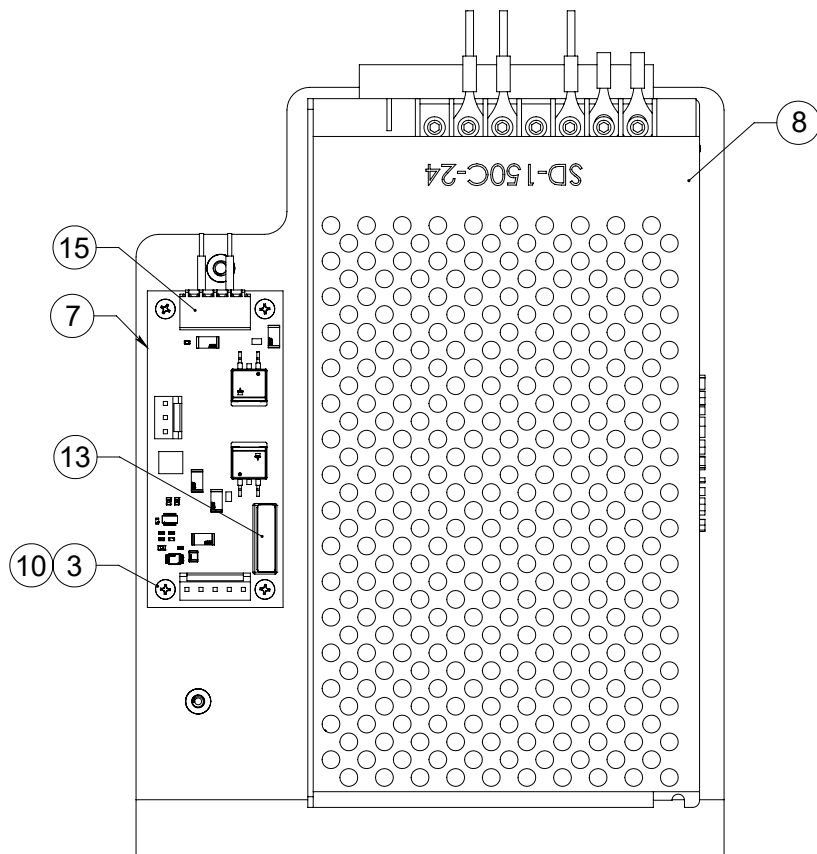
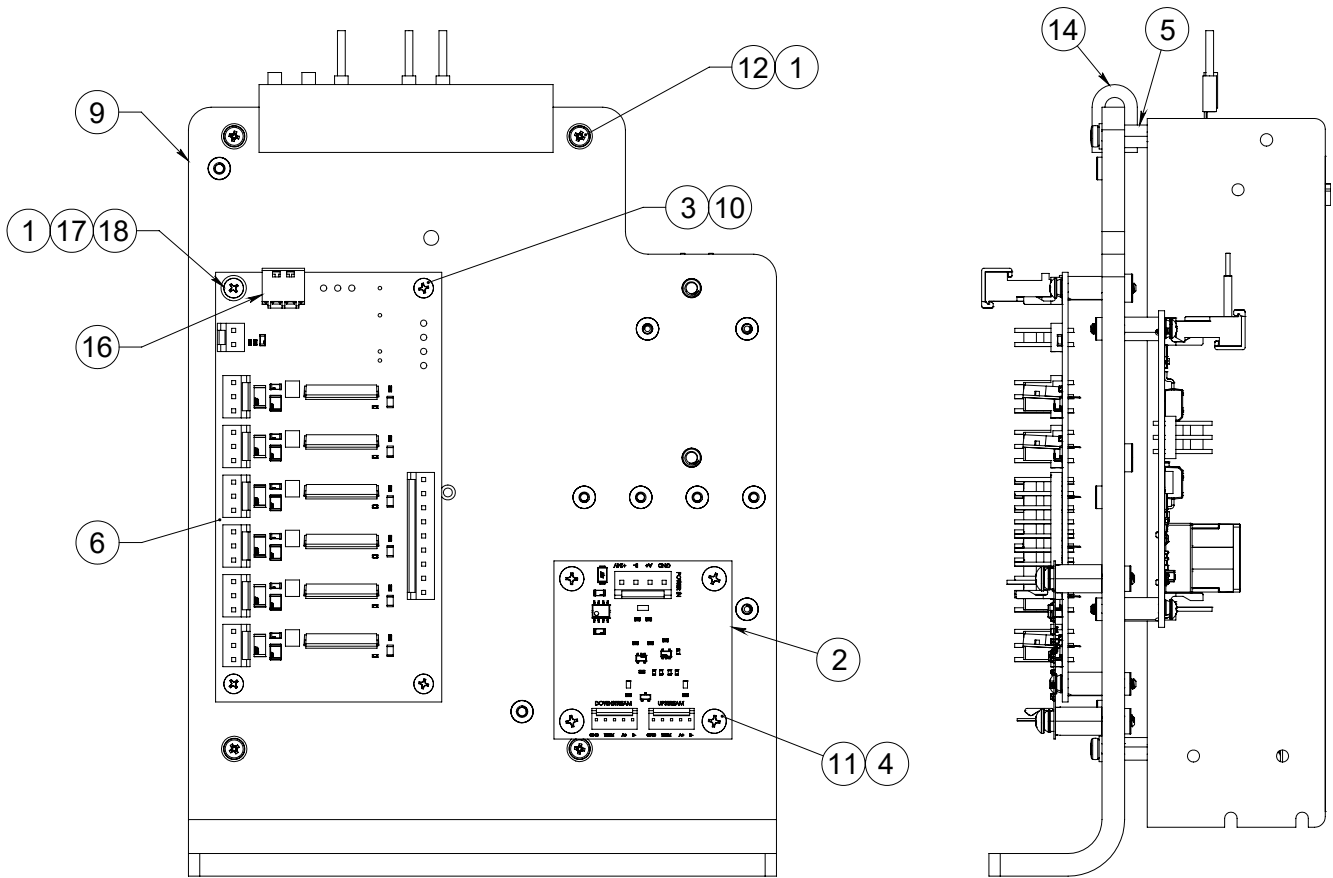
Parts List Continued

ITEM	PART NO.	DESCRIPTION	QTY.
1	808-090	BONDED SEAL 1/4"BSP SELF CENTERING	12
2	4539-AA	SCREW, SHC M6-1.0 X 20mm (Torque to 40 In. Lbs)	8
3	9680	FITTING, STR 3/8 NPTF F x 3/8 NPTF F	1
4	9682	FITTING, STR 3/8 NPTF M x 3/8 NPTF M	4
5	9797	CAP ASSY, DUST 1-3/16-16 EXT THREAD	5
6	9799	CAP ASSY, DUST 1-3/16-16 INT THREAD	5
7	HDT10016	SCREW, SHC 1/4-20 X 1.00	7
8	HDT10228	WASHER, PLAIN 0.25 x 0.56 x 0.05 STEL	2
9	10261	WASHER, PLAIN 0.60 x 0.75 x 0.03 COPR	1
10	HDT10268	O-RING (-012) 0.364ID x 0.070 NITRILE 70	2
11	HDT10425	SPRING COM ODX.XXXIDX.XXXR7.6L.780MW	1
12	HDT10662	FITTING, STR 3/8 NPTF M x 3/8 TUBE	5
13	HDT10666	FITTING, 90D ELB 3/8 NPTF M x 3/8 TUBE	3
14	HDT10782	PIN, SPRING SLOTTED .19 X .75	1
15	HDT10856	SCREW, SHC 1/4-20 X 2.50 (Torque to 120 to 130 In. Lbs.)	4
16	HDT10909	FITTING, PLUG - 3/8 NPTF MALE	2
17	HDT10914	O-RING (-123) 1.174ID x 0.103 NITRILE 70	1
18	HDT11435	SCREW, SHC 10-24 X 1.75 (Torque to 35-40 In. Lbs.)	4
19	HDT11863	WASHER, BACKUP 0.500 x0.375 (-012)	2
20	HDT11956	SCREW, SHC 1/4-20 X 3.00 (Torque to 40 In. Lbs)	2
21	HDT12203	FITTING, STR 3/8 NPTF M x 1/8 NPTF F	2
22	HDT15058	FITTING, CROSS	1
23	HDT15061	FITTING, STRAIGHT - 1/8 NPTF, .25 TUBE	3
24	HDT16064	SCREW, SHC 1/4-20 X 3.50 (Torque to 40 In. Lbs)	2
25	16664-8	VALVE, DIR 3P4W NO CNTR SOL 24VDC	1
26	HDT20771	POPPET	1
27	20879	FITTING, STR 3/8 NPTF M x 9/16-18 M ORB	1
28	21094	BUSHING	1
29	HDT21566	BODY, VALVE	1
30	25599	COUPLER, QD 3/8INT NPTF X 1/4 HOSE	5
31	25600-1	COUPLER, HYD 3/8" NPTF F	5
32	46647	VALVE, MANUAL - RESTRICTOR	1
33	52506	BODY, MANIFOLD	1
34	65008	VALVE, SOLENOID 4 WAY	1
35	83104	1/4X20G-.035-SAE J525 FLTUBE	0.3 Ft.
36	205792	FITTING, 90D ELB 1/4 NPTF M x 1/4 TUBE	1

Parts List Continued

ITEM	PART NO.	DESCRIPTION	QTY.
37	251124	RING, RETAIN EXT 0.46 X .062	1
38	251488	SCREW, FLAT 1/4-20 X 0.63 (Torque to 100 In. Lbs.)	12
39	2000980	VALVE, PRESSURE LIMITING (Torque to 25 Ft. Lbs.)	2
40	2008186	VALVE, DIRECTIONAL - 24V 2P2W NC	4
41	2008192	FITTING, 90D ELB 1/4 BSPP M x 1/4 BSPP F	4
42	2008193	FITTING, STR 1/4 BSPP M x 1/4 BSPP F (Torque to 22 to 27 Ft. Lbs.)	4
43	2008194	FITTING, STR 1/4 BSPP M x 3/8 NPTF M	4
44	2008292	FITTING, STR 3/8 NPTF F x 1/4 BSPP M (Torque to 22 to 27 Ft. Lbs.)	4
45	2008460	FITTING, 1/4-19 BSPP M x 1/4-19 BSPP F (Torque to 22 to 27 Ft. Lbs.)	4
46	2011094	TOP PLATE - ESYNC	1
47	2011100	BOTTOM PLATE - ESYNC	1
48	2011101	BASEPLATE, HAWE VALVE	1
49	2011102	1/2" STAND-OFF, 8.25"	4
50	2011109	MANIFOLD BLOCK, RETURN - ESYNC	1
51	2011110	MANIFOLD BLOCK, EXTEND - ESYNC	1
52	2011111	TUBE, ST 0.37 IN X SAE J525	1
53	2011112	TUBE, ST 0.37 IN X SAE J525 - 10.25	1
54	2011113	TUBE, ST 0.37 IN X SAE J525	1
55	2011114	TUBE, ST 0.25 IN X SAE J525	1
56	2011115	TUBE, ST 0.25 IN X SAE J525	1
57	2011224	SPACER, .375 X .25 X 1.0	6
58	2011436	TUBE, ST 0.37 OD X 6.8	1
59	2011437	TUBE, ST 0.25 OD X 10.41	1
60	3001454	ASSY, PRESSURE TRANSDUCER, CONNECTOR	1
61	3001547	VALVE, 2-WAY MANUAL	1

Electrical Plate Assembly - 3001437

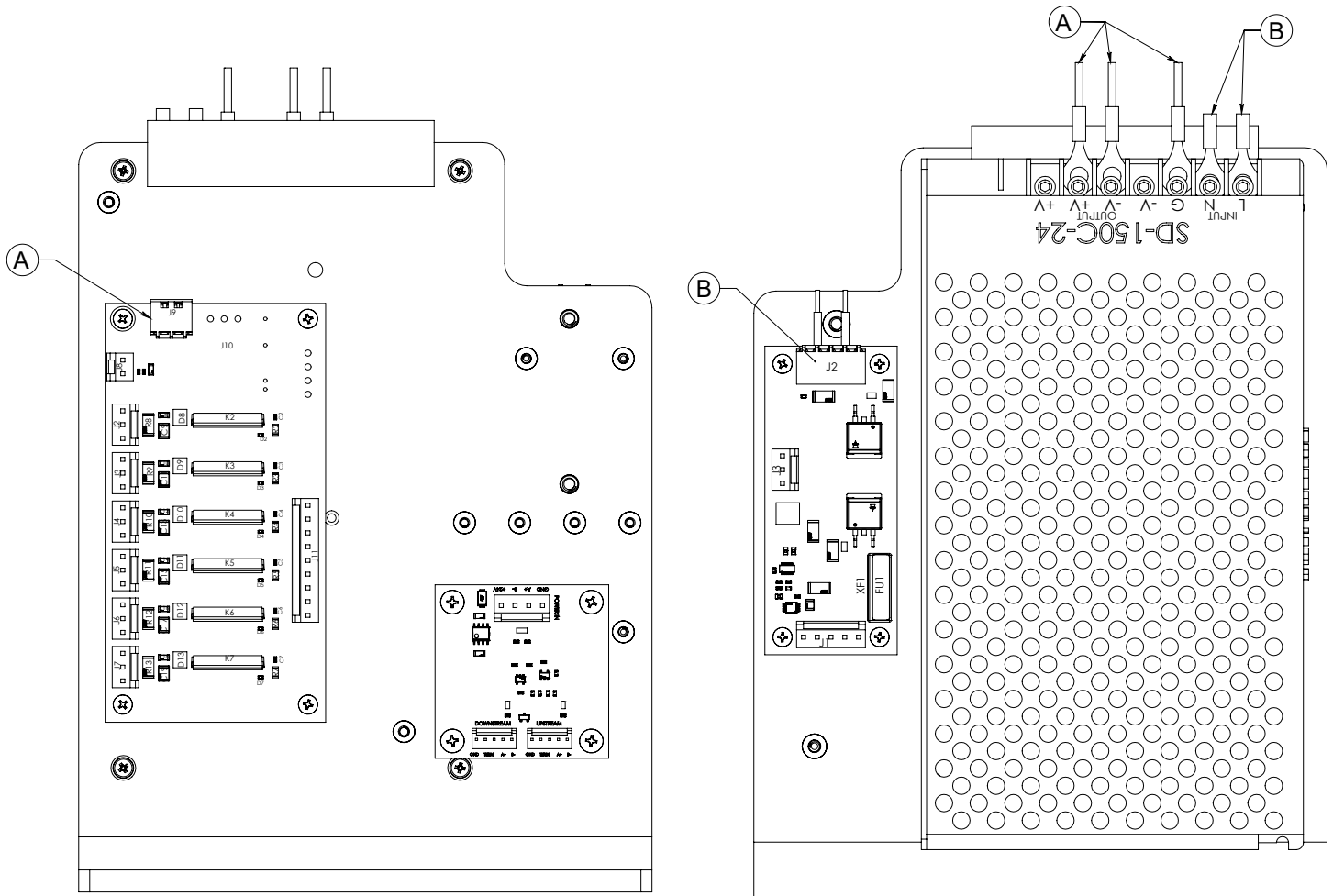


Parts List Continued

ITEM	PART NO.	DESCRIPTION	QTY.
1	2001761	WASHER, PLAIN .281 x .141 x .032 STEEL	5
2	2011106	TERMINATION BOARD	1
3	2011178	SCREW, 4-40 X .875 PAN HEAD PHILLIP	7
4	2011192	STANDOFF, .312 OD X .5 STACKING SPACER	4
5	2011318	SPACER, .250 X .140 X .250	4
6	2011477	BOARD, RELAY	1
7	2011478	BOARD, UVLO	1
8	2011487	POWER SUPPLY, DC 36-72V TO 24V	1
9	2011506	PLATE, ELECTRICAL MOUNTING	1
10	2011521	SPACER, .375", #4 SCREW	7
11	2011523	SCREW, #6-32 X 1.00 PAN PHILLIPS	4
12	2011524	SCREW, M3 X 18 PAN PHILLIPS	4
13	2011530	FUSE, 7.5 AMP, AUTOMOTIVE	1
14	251041	CHANNEL, RUBBER	3.25 In.
15	3001555	HARNESS, UVLO TO PS	1
16	3001556	HARNESS, PS TO RB	1
17	2011550	SPACER, .250 X .120 X .375	1
18	2011527	SCREW, #4-40 X 0.75 PAN PHILLIPS	1

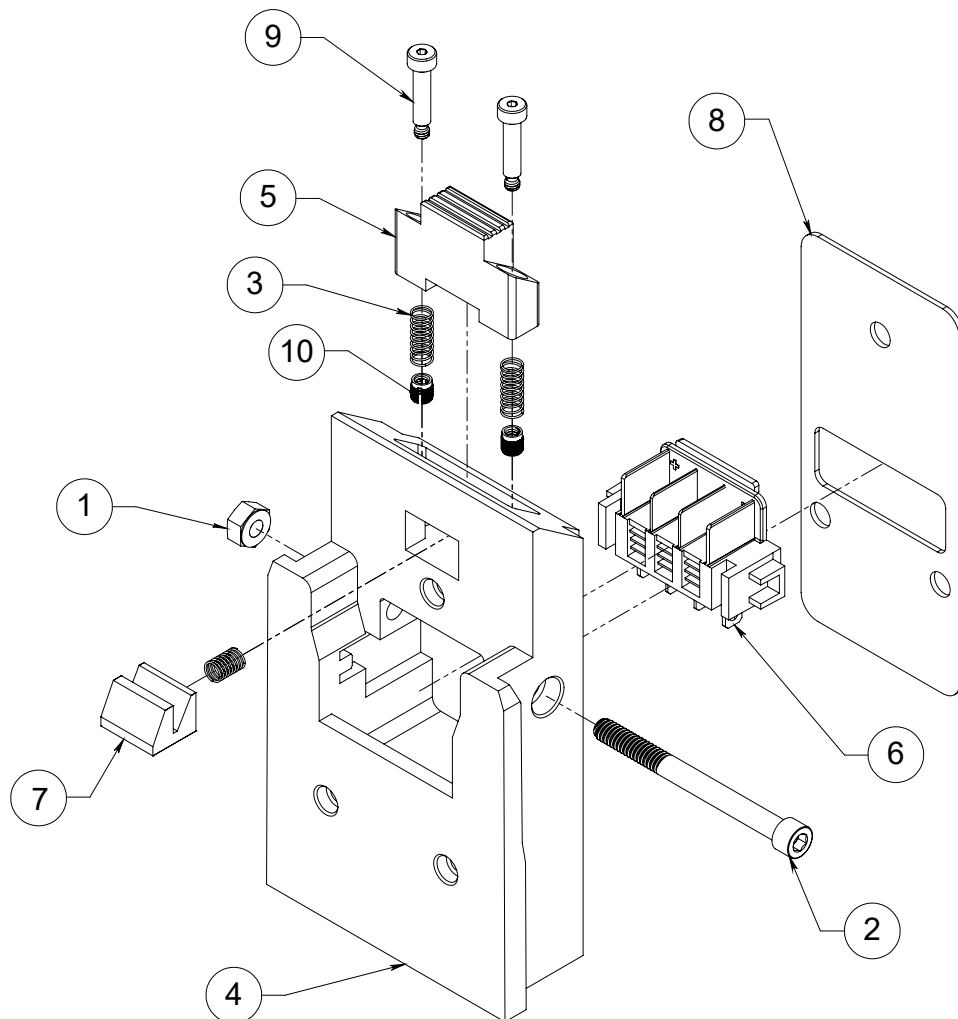
Parts List Continued

Electrical Plate Assembly - 3001437 (Wire Connections)



ITEM	PART NO.	DESCRIPTION	QTY. (Inches)
A	3001556	WIRE, 18 AWG RED	5.5
		WIRE, 18 AWG BLACK	
		WIRE, 18 AWG GREEN	
B	3001555	WIRE, 18 AWG RED	8
		WIRE, 18 AWG BLACK	

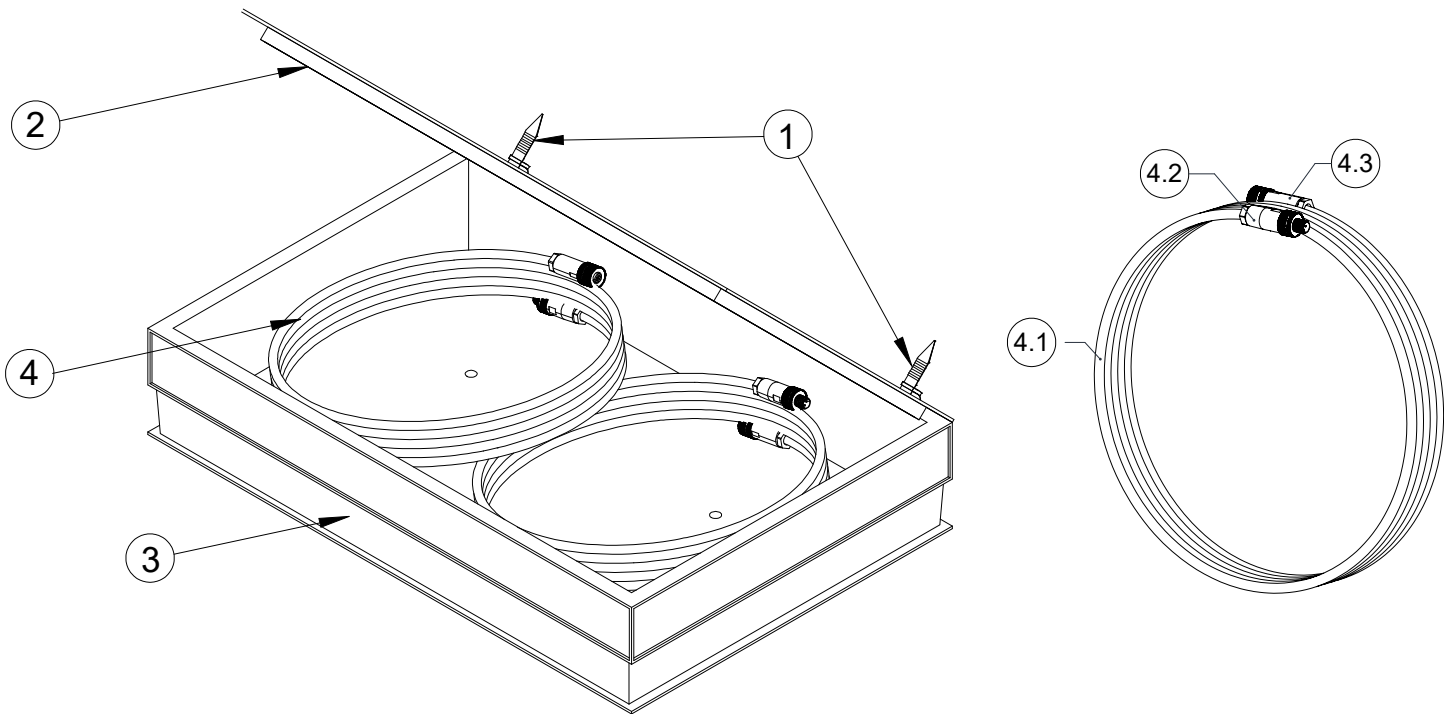
Battery Adapter Assembly - 3001416



ITEM	PART NO.	DESCRIPTION	QTY.
1	HDT10199	NUT, HEX 1/4-20	1
2	HDT10855	SCREW, SCKT HD CAP - 1/4-20 x 2.75	1
3	HDT11451	SPRING, COMPRESSION	3
4	2011121	ADAPTER, BATTERY ESYNC	1
5	2011138	PUSH BUTTON, 60V BATTERY ADAPTER	1
6	2011147	TERMINAL, 60V BATTERY	1
7	2011149	LATCH, BATTERY RELEASE	1
8	2011152	ADAPTOR GASKET - PB10X	1
9	2011282	SCREW, SHOULDER, 8-32 X .75"	2
10	2011283	INSERT, SCREW TO EXPAND, 8-32	2

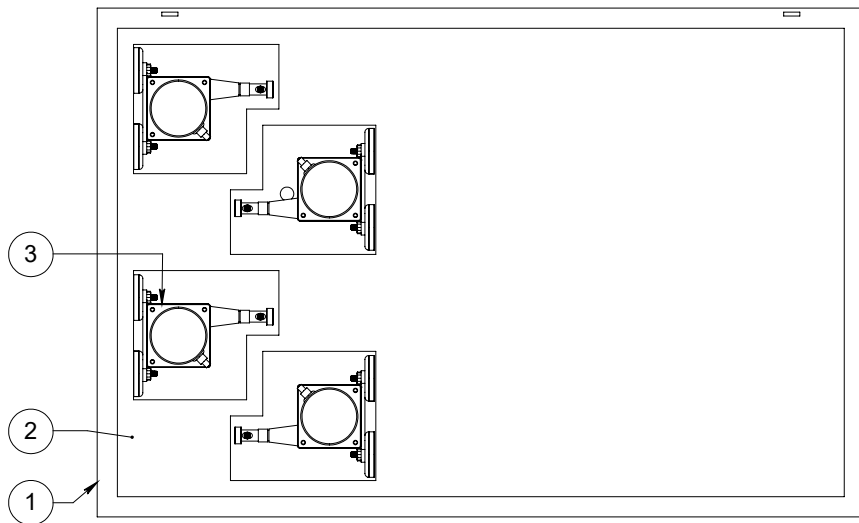
Parts List Continued

Sensor Cable Box Assembly - 3001440

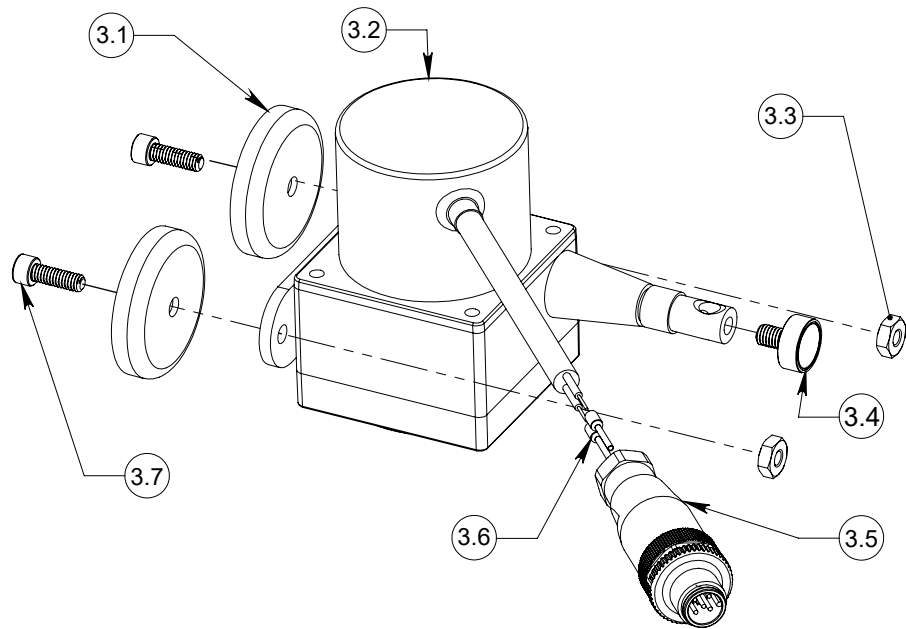


ITEM	PART NO.	DESCRIPTION	QTY.
1	2011197	TIE, BLACK CABLE - .5" x 18" LG	2
2	2011160	LID, PLASTIC TOTE BOX, BLACK	1
3	2011132	TOTE BOX, PLASTIC, BLACK - DRILLED	1
4	3001433	ASSEMBLY, SENSOR CABLE 100'	2
4.1	2008218	CABLE, ELECT 17 AWG - BLK	100 Ft.
4.2	2011172	CONNECTOR, M12 4 PIN MALE FIELD WIREABLE	1
4.3	2011173	CONNECTOR, M12 4 PIN FEM, FIELD WIREABLE	1
PARTS INCLUDED BUT NOT SHOWN			
	2008241	FERRULE, INSULATED WIRE - 18 AWG RED	4

Sensor Box Assembly - 3001442

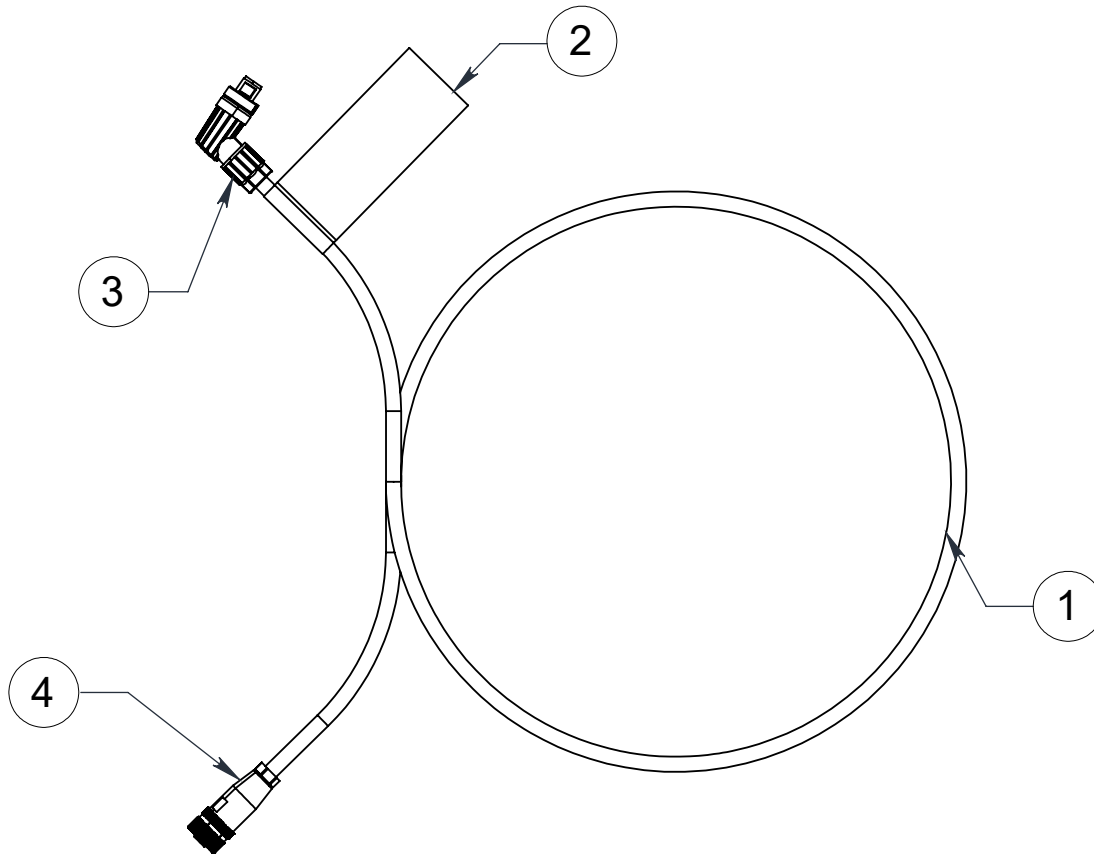


SENSOR ASSEMBLY



ITEM	PART NO.	DESCRIPTION	QTY.
1	2011132	TOTE BOX, PLASTIC, BLACK - DRILLED	1
2	2011181	INSERT, FOAM SENSORS	1
3	3001507	ASSEMBLY, POS SENSOR WITH M12	4
3.1	2011177	MAGNET, #8 HOLE, RND	8
3.2	2011163	SENSOR, LINEAR POSITION - 1000mm	4
3.3	HDT10196	NUT, HEX 8-32	8
3.4	2011176	MAGNET, M5 STUD, RND	4
3.5	2011361	CONNECTOR, M12 5 PIN MALE	4
3.6	2010519	TERMINAL, CABLE END 24-20 GAUGE	8
3.7	2008652	SCREW, SHC 8-32 x .50 SS	8

Pump Tether Assembly - 3001493



ITEM	PART NO.	DESCRIPTION	QTY.
1	2008218	CABLE, ELECT 17 AWG - BLK	10 Ft.
2	1001324	WARNING TAG, NO USE HAZ ENVI & READ INST	1
3	2011363	CONNECTOR, 100 DEGREE, 5-PIN MALE	1
4	2011175	CONNECTOR, M12 5 PIN FEM, FIELD WIREABLE	1