

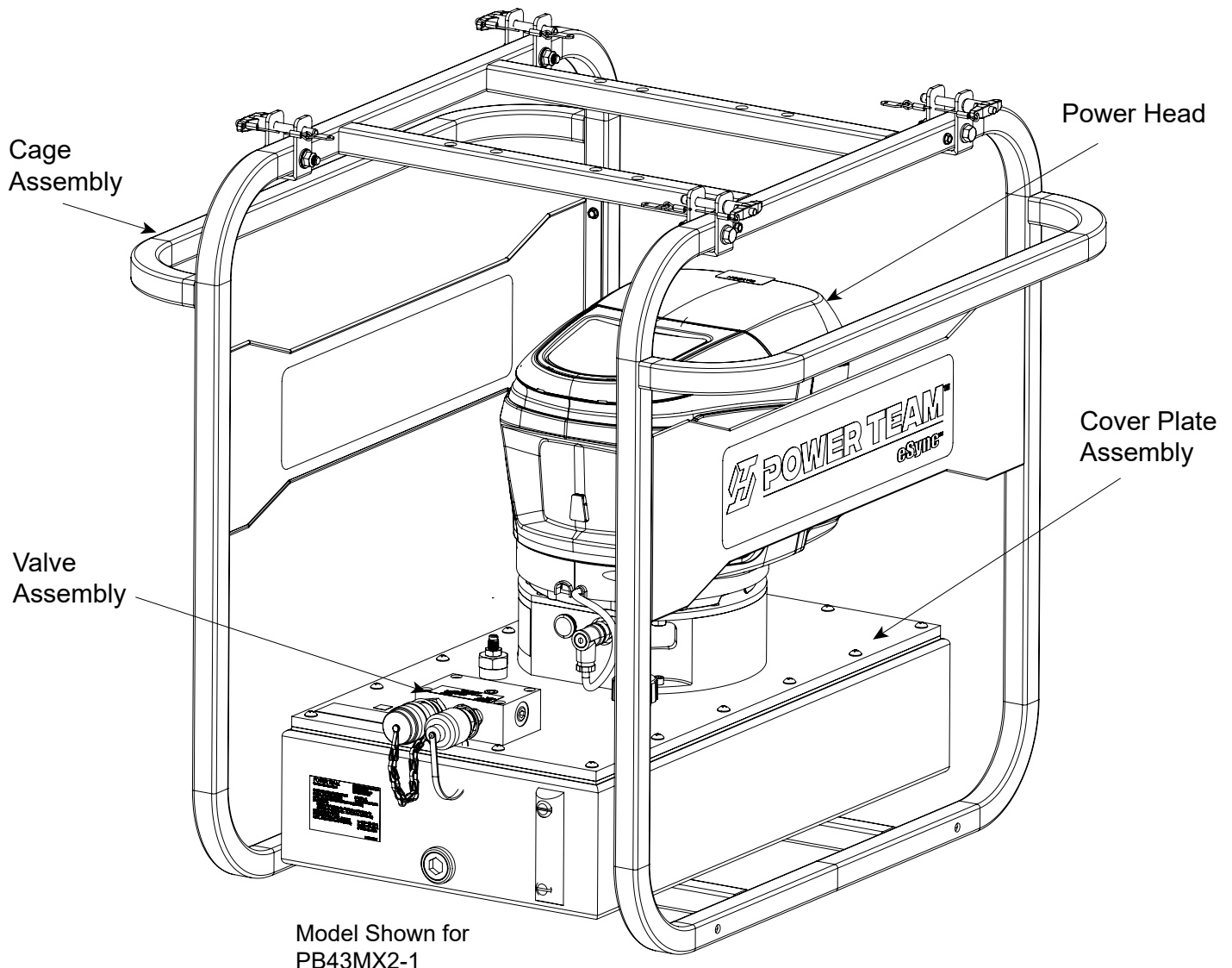
Parts List For:

PB43MX2-1	PB43MA2PE-1
PB43MX2-2	PB43MA2PE-2
PB43MX2-3	PB43MA2PE-3
PB43MX2-4	PB43MA2PE-4

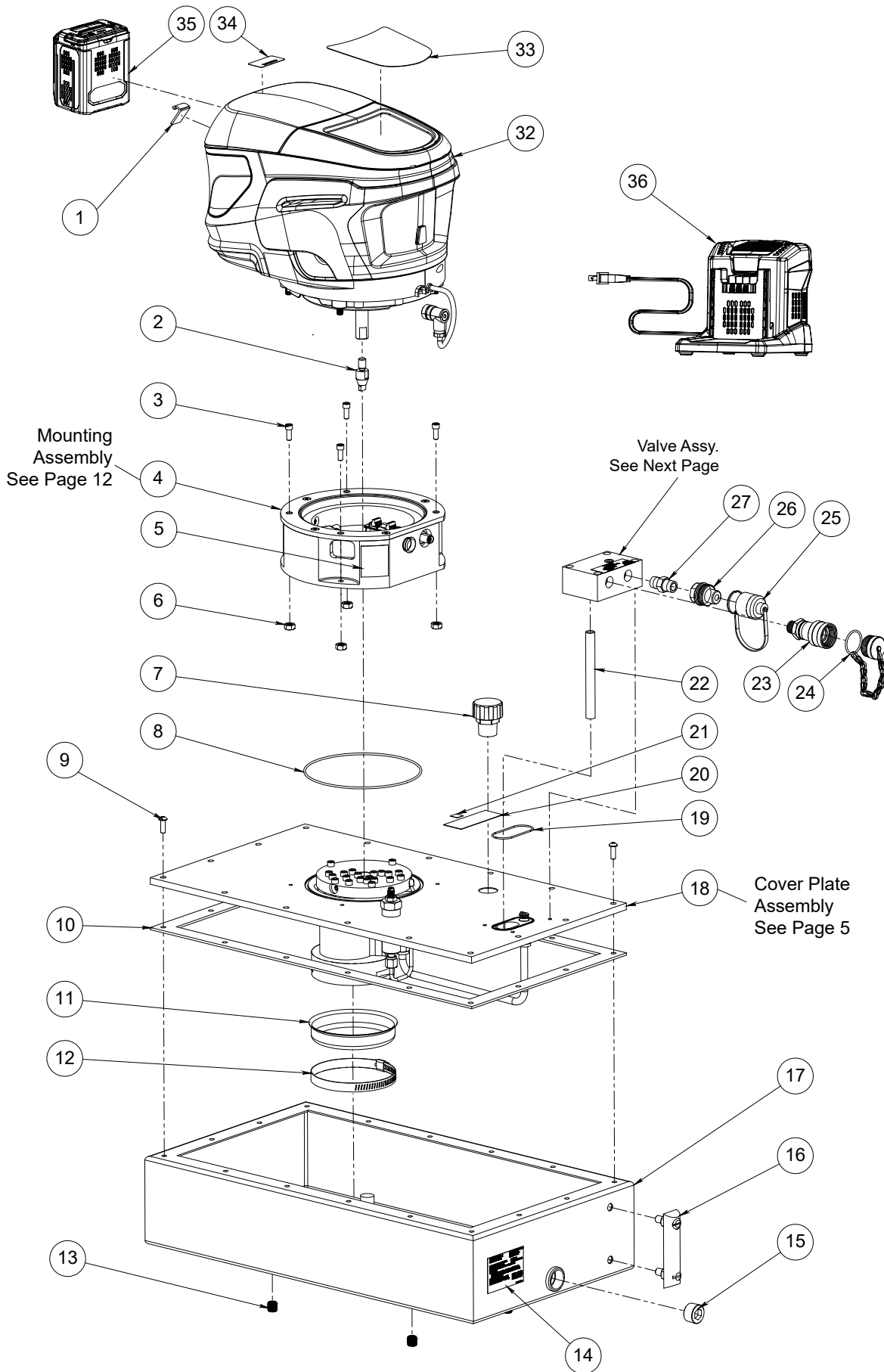
Battery Powered PB43 Series Hydraulic Pump for Cordless eSync

Note:

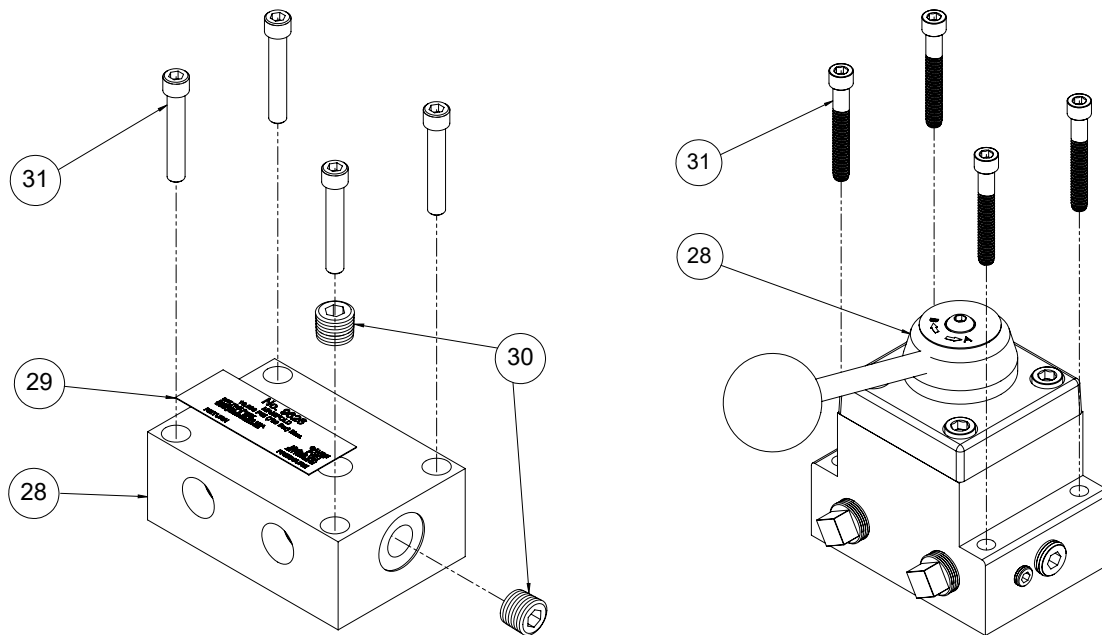
- PB43 models ending in "-1" come with a battery and US charger.
- PB43 models ending in "-2" come with a battery and EU charger.
- PB43 models ending in "-3" come with a battery and UK charger.
- PB43 models ending in "-4" come with a battery and AU charger.
- PB43 models ending in "-2", "-3", "-4" are CE compliant.



Parts List Continued



Parts List Continued

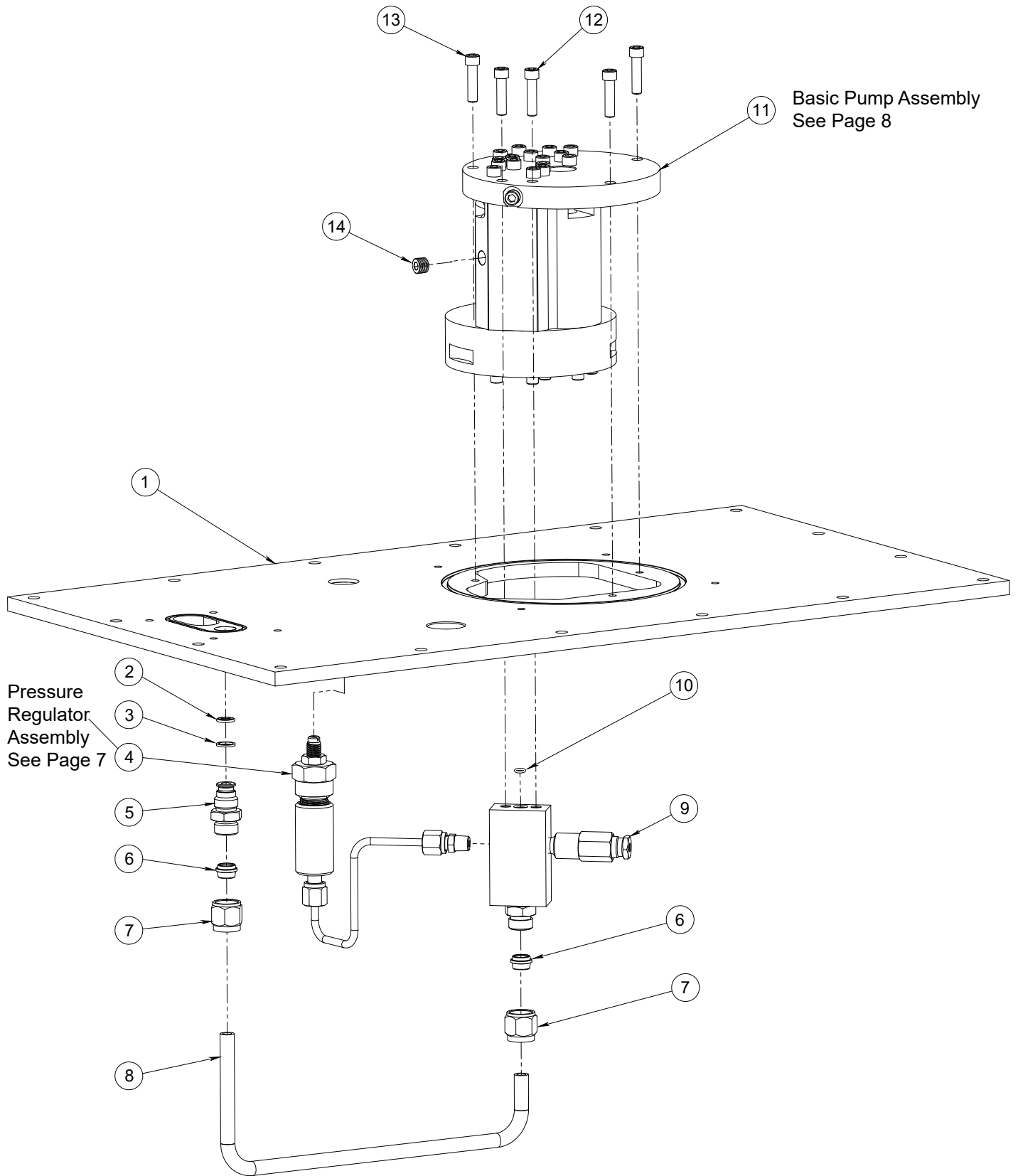


ITEM	PART NO.	DESCRIPTION	QTY.
1	2011078	HANDLE, ADHESIVE GRIP	1
2	2011032	COUPLING, MALE THREAD X MALE COUPLER	1
3	2010479	SCREW, SHC 1/4-20 X 0.63 - BLACK ZINC PL	4
4	3001500	ASSEMBLY, PB43 MOUNTING UNIT - ESYNC	1
5	1001473	DECAL, WARNING MASTER ON/OFF	1
6	2011054	NUT, HEX M8X1.25 STL BLACK ZINC	4
7	1683-AB	BREATHER PLASTIC 3/4 NPT	1
8	252401	O-RING (-164) 6.237ID X 0.103 NITRILE 90	1
9	HDT10177	SCREW, RND 1/4-20 X 0.75	16
10	2011399	GASKET, RESERVOIR 23 X 13	1
11	350304	FILTER	1
12	350995	CLAMP, HOSE 3 1/8-5" WORM DRIVE	1
13	2011317	THREAD INSERT, 1/2-20 TO 3/8-16	4
14	1001373	DECAL, IDENTIFICATION, PB43 SERIES PT (Used on PB43MX2-1 and PB43MA2PE-1)	1
	1001433	DECAL, IDENTIFICATION, PB43 SERIES PT CE (Used on PB43MX2-2, PB43MX2-3, PB43MX2-4, PB43MA2PE-2, PB43MA2PE-3 and PB43MA2PE-4)	1
15	1896-AA	PLUMBING PLUG 3/4 NPT	1
16	351940	GAUGE, OIL LEVEL W/THERMOMETER	1
17	2011393OR9	TANK PT 6.00 GAL STEL OR9 VERT WELD 15	1
18	3001537	ASSEMBLY, COVERPLATE, PB43 6 GAL	1
19	2011096	O-RING -034 FOR VALVE HOUSING	1
20	1001325	DECAL, SAFETY PICTOGRAMS	1
21	1000413	LABEL, WEEE (WHEELIE BIN)	1

Parts List Continued

ITEM	PART NO.	DESCRIPTION	QTY.
22	2010530	TUBE, DRAIN .50 OD x 4.88	1
23	25600-1	COUPLER, HYD 3/8" NPTF F	1
24	9797	CAP ASSY, DUST 1-3/16-16 EXT THREAD	1
25	9799	CAP ASSY, DUST 1-3/16-16 INT THREAD	1
26	25599	COUPLER, QD 3/8INT NPTF X 1/4 HOSE	1
27	HDT10673	FITTING, STR 3/8 NPTF M x 3/8 NPTF M (Torque to 120-130 In. Lbs.)	1
28	45911	MANIFOLD (Used on PB43MX2-1, PB43MX2-2, PB43MX2-3 and PB43MX2-4)	1
	52510	VALVE, MANUAL 4 WAY TANDEM CTR (Refer Parts List 100623) (Used on PB43MA2PE-1, PB43MA2PE-2, PB43MA2PE-3 and PB43MA2PE-4)	1
29	211167	DECAL, LABEL MANIFOLD (Used on PB43MX2-1, PB43MX2-2, PB43MX2-3 and PB43MX2-4)	1
30	HDT10479	FITTING, PLUG 1/4 NPTF (Used on PB43MX2-1, PB43MX2-2, PB43MX2-3 and PB43MX2-4)	2
31	HDT10022	SCREW, SHC 1/4-20 X 1.50 (Used on PB43MX2-1, PB43MX2-2, PB43MX2-3 and PB43MX2-4)	4
	HDT10854	SCREW, SHC 1/4-20 X 1.75 (Used on PB43MA2PE-1, PB43MA2PE-2, PB43MA2PE-3 and PB43MA2PE-4)	4
32	3001396	ASSEMBLY, PB43 POWERHEAD	1
33	1001525	DECAL, POWER HEAD ESYNC PB43 SERIES	1
34	1001535	DECAL, WARNING BATTERY USAGE	1
35	2010994	BATTERY, 60V-8Ah Li-ION TYPE	1
36	2010995	CHARGER, 60V 5.5A (For PB43MX2-1 and PB43MA2PE-1)	1
	2011156	CHARGER, 60V 5.5A 240VAC CE (For PB43MX2-2 and PB43MA2PE-2)	1
	3001464	CHARGER, 60V 5.5A UK (For PB43MX2-3 and PB43MA2PE-3)	1
	3001465	CHARGER, 60V 5.5A AU (For PB43MX2-4 and PB43MA2PE-4)	1
PARTS INCLUDED BUT NOT SHOWN			
	46799	PALLET AND INSTRUCTIONS	1
	3-3956	HOSE ASSY, 1/4" X 6' SYNIFLEX M-F (See Page 15)	2
	1001375	DECAL, BATTERY SPECIFICATIONS (Used on Battery 2010994)	1
	1001376	DECAL, BATTERY CAPACITY INDICATOR (Used on Battery 2010994)	1
	1001377	DECAL, POWER TEAM BATTERY PB SERIES (Used on Battery 2010994)	1
	1001380	DECAL, CHARGER SPECIFICATIONS (Used on Charger 2010995)	1
	1001421	DECAL, 60V CHARGER SPECIFICATIONS CE (Used on Charger 2011156, 3001464 and 3001465)	1
	1001382	DECAL, CHARGER INDICATOR	1

Cover Plate Assembly - 3001537



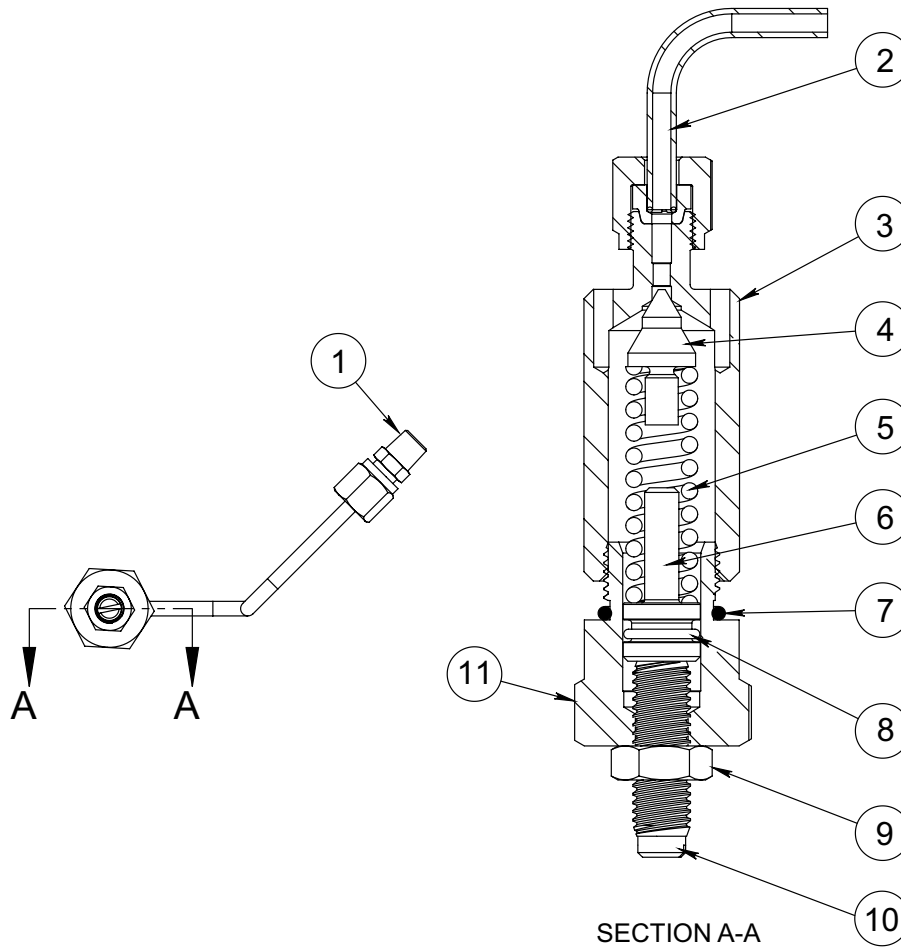
Basic Pump Assembly
See Page 8

Pressure
Regulator
Assembly
See Page 7

Parts List Continued

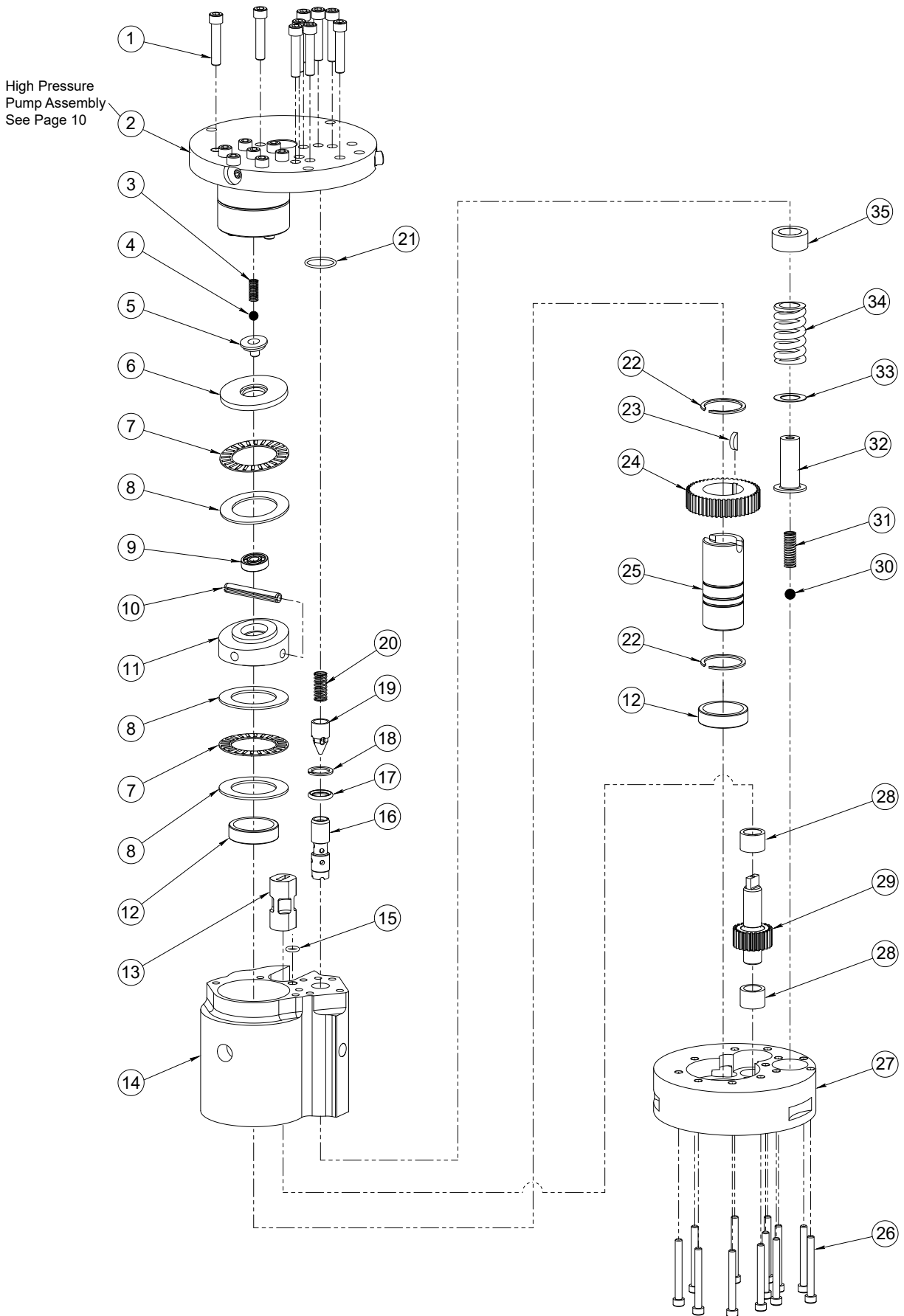
ITEM	PART NO.	DESCRIPTION	QTY.
1	2011394	PLATE, COVER, PB43, ESYNC 6 GAL	1
2	HDT10268	O-RING (-012) 0.364ID x 0.070 NITRILE 70	1
3	HDT11863	WASHER, BACKUP 0.500 x0.375 (-012)	1
4	3001384	ASSEMBLY, PRESSURE REGULATOR (Torque to 60-70 Ft. Lbs.)	1
5	2010438	CONNECTOR , VALVE (Torque to 30-35 Ft. Lbs.)	1
6	HDT10430	TUBE,SLEEVE 3/8 DIA.	2
7	HDT10431	FITTING, NUT 5/8-18 F (3/8 OD TUBE)	2
8	2011395	TUBE, OIL LINE 3/8 X 16 GA. SAE J525/524	1
9	21277-2	VALVE, CHECK AND 10000 PSI RELIEF	1
10	HDT10266	O-RING (-010) 0.239ID x 0.070 NITRILE 70	1
11	3001382	ASSEMBLY, BASIC PUMP	1
12	HDT10015	SCREW, SHC 1/4-28 X 1.00 (Torque to 130-180 In. Lbs.)	2
13	HDT10016	SCREW, SHC 1/4-20 X 1.00	3
14	HDT10427	FITTING, PLUG - 1/8 NPTF x 5/16	1

Pressure Regulator Assembly - 3001384



ITEM	PART NO.	DESCRIPTION	QTY.
1	HDT14844	FITTING, STR 1/8 NPTF M x 7/16-20 M	1
2	3001383	ASSEMBLY, OIL LINE	1
3	22361	BODY, VALVE	1
4	HDT21046	STEM, VALVE	1
5	HDT10495	SPRING COM OD.473IDX.XXXR410L1.687CS	1
6	21306	GUIDE, SPRING	1
7	2000697	SEAL, SUCTION-RETURN TUBE (CHP)	1
8	HDT10268	O-RING (-012) 0.364ID x 0.070 NITRILE 70	1
9	2010420	NUT, HEX JAM 3/8-24 ST BLK ZINC	1
10	22362	SCREW, ADJUST 3/8-24 X 1-1/4	1
11	21305	CAP, VALVE (Torque to 60-70 in.lbs. at assembly to coverplate)	1

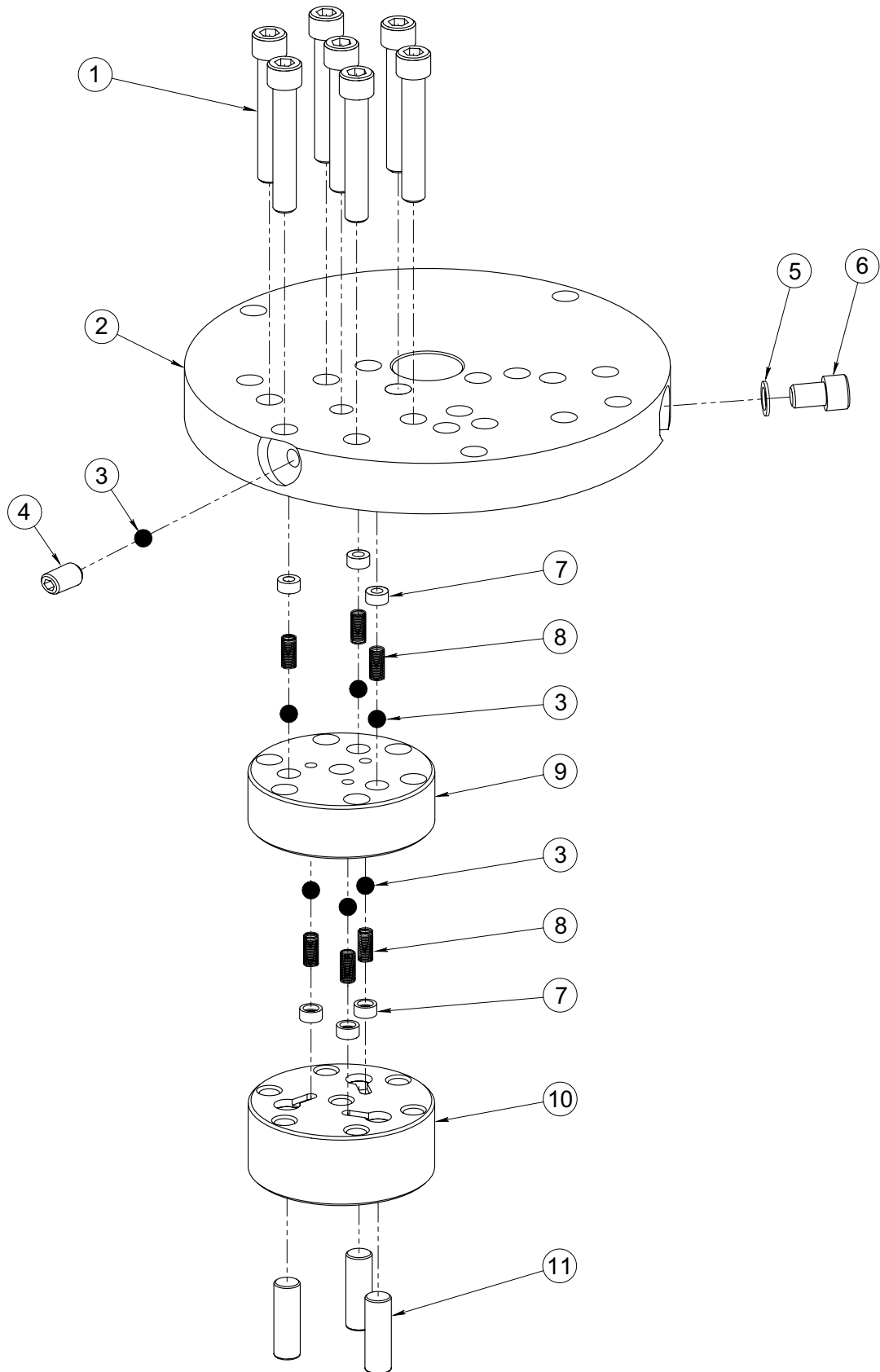
Basic Pump Assembly - 3001382



Parts List Continued

ITEM	PART NO.	DESCRIPTION	QTY.
1	HDT10020	SCREW, SHC 1/4-20 X 1.25 (Torque to 170-180 in.lbs.)	9
2	33113	PUMP, HIGH PRESSURE	1
3	HDT10361	SPRING COM OD.253IDX.XXXR9.4L1.025MW	1
4	HDT10375	BALL, 1/4" DIA STEEL	1
5	23547	PLATE, BEARING TOP	1
6	23548	PLATE, TOP	1
7	HDT11228	BEARING, THRUST - 1.92 x 1.25 x .078	2
8	HDT11813	RACE, BEARING	3
9	HDT11814	BEARING, BALL - .25 x .75 x .219	1
10	HDT11955	PIN, SPRING SLOTTED .25 X 1.75	1
11	23549	PLATE, ANGLE - 10 DEGREE	1
12	HDT11064	BEARING, NEEDLE - 1.125 x 1.375 x .375	2
13	21091	COUPLING, DRIVE	1
14	40120	BODY, PUMP - MACHINE (3450 RPM)	1
15	HDT10266	O-RING (-010) 0.239ID x 0.070 NITRILE 70	1
16	20849	SPOOL	1
17	HDT10271	O-RING (-112) 0.487ID x 0.103 NITRILE 70	1
18	HDT12389	WASHER, BACKUP 0.690 x0.500 (-112)	1
19	HDT20771	POPPET	1
20	HDT10425	SPRING COM ODX.XXXIDX.XXXR7.6L.780MW	1
21	HDT10303	O-RING (-018) 0.739ID x 0.070 NITRILE 80	1
22	HDT11261	RING, RETAIN EXT 1.05 X .050	2
23	HDT11821	KEY, WOODRUFF	1
24	23557	GEAR, DRIVE	1
25	23556	SHAFT	1
26	HDT10001	SCREW, SHC #10-32 X 1.75 (Torque to 50-60 in.lbs.)	12
27	2011071	PLATE, PUMP END (3450 RPM)	1
28	HDT11199	BEARING, NEEDLE - .500 x .687 x .500	2
29	21272	GEAR, DRIVE (3450 R.P.M)	1
30	HDT10377	BALL, 5/16" DIA STEEL	1
31	HDT12691	SPRING COM OD.370IDX.XXXR18L1.530MW	1
32	2011384	GUIDE, SPRING	1
33	200645	SHIM - 0.020 THICK	1
34	HDT10426	SPRING COM OD .98x ID.59 R569L1.805OT	1
35	23255	GUIDE, SPRING	1

High Pressure Pump Assembly - 33113



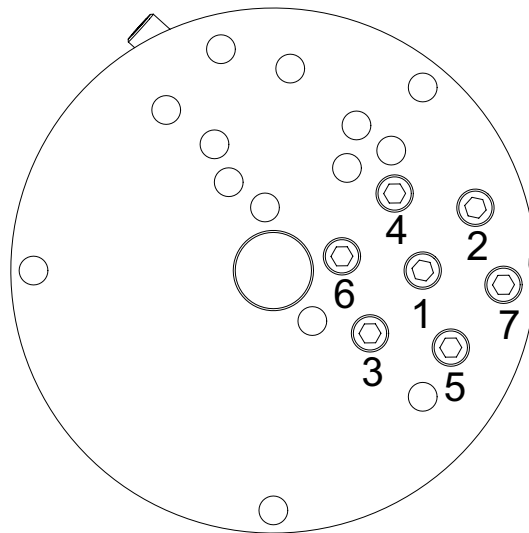
Parts List Continued

ITEM	PART NO.	DESCRIPTION	QTY.
1	*HDT10023	SCREW, SHC 1/4-28 X 1.50 (Torque to 170-180 in.lbs.)	7
2	*HDT50411	PLATE, TOP	1
3	*HDT12223	BALL, 3/16" DIA STEEL	7
4	HDT10519	SCREW, SET 1/4-20 X 0.38 KNURLED CUP (Torque to 65-70 in.lbs.)	1
5	HDT10442	WASHER, PLAIN 0.25 x 0.37 x 0.03 COPR	1
6	HDT10002	SCREW, 1/4-20UNC X 0.375IN SHC G8 ST BOX (Torque to 140-160 in.lbs.)	1
7	*24549	GUIDE, BALL	6
8	*HDT10445	SPRING COM OD.166IDX.XXXR.580L.751MW	6
9	*HDT40630	HEAD, VALVE	1
10	*HDT41062	BARREL, PUMP - 3 PISTON	1
11	*21628	PISTON - 9/32 OD	3

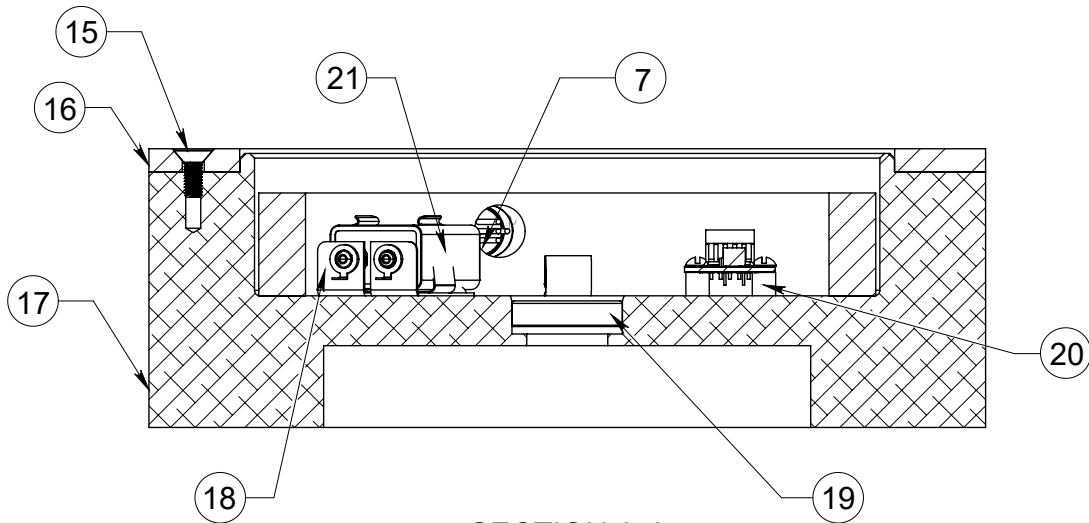
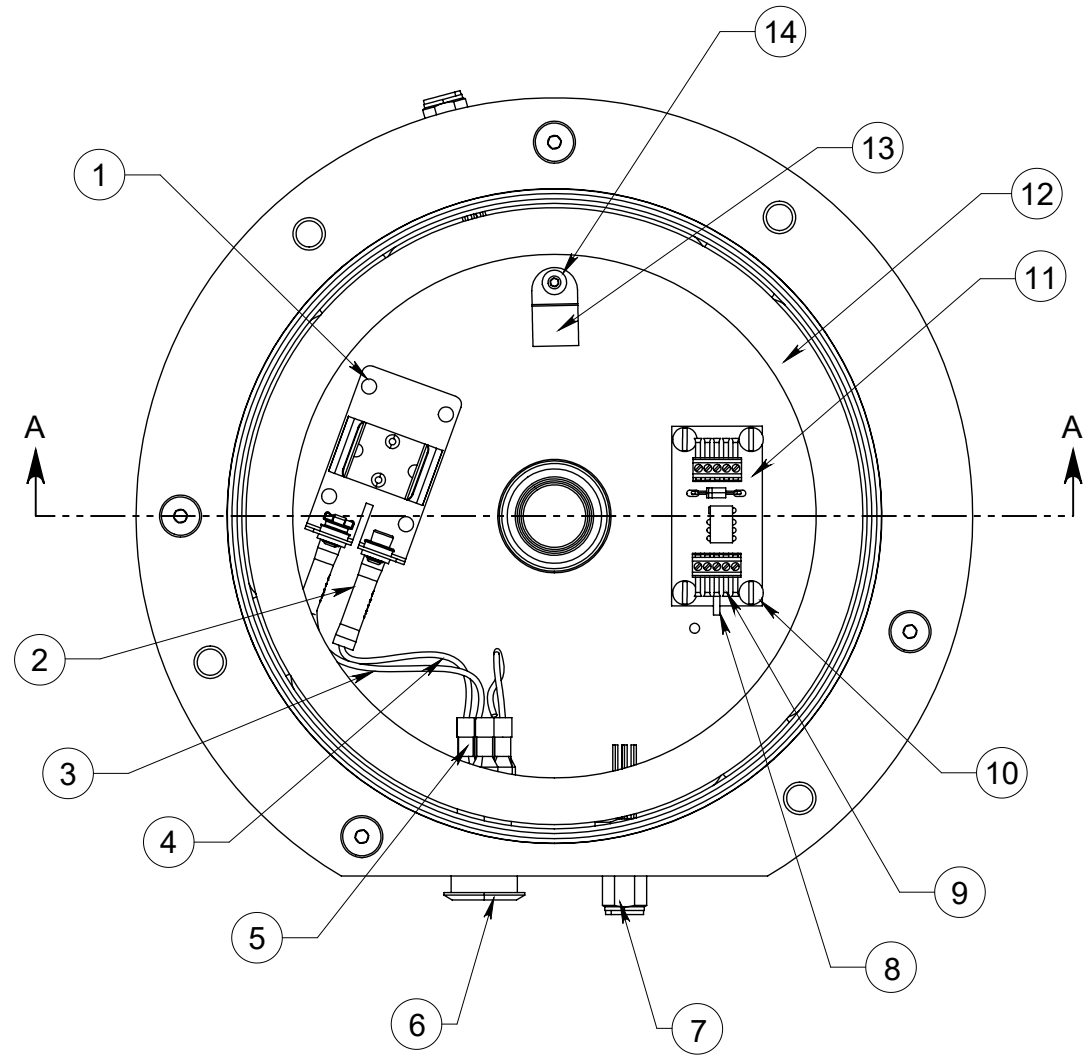
Note: Consult Power Team authorized service center when replacing or servicing the items marked with an asterisk (*).

Bolt Tightening Sequence

Assemble in sequence as shown. Lubricate under heads and on threads. Torque to 20.5 Nm (180 in.lbs.)



Mounting Assembly - 3001500

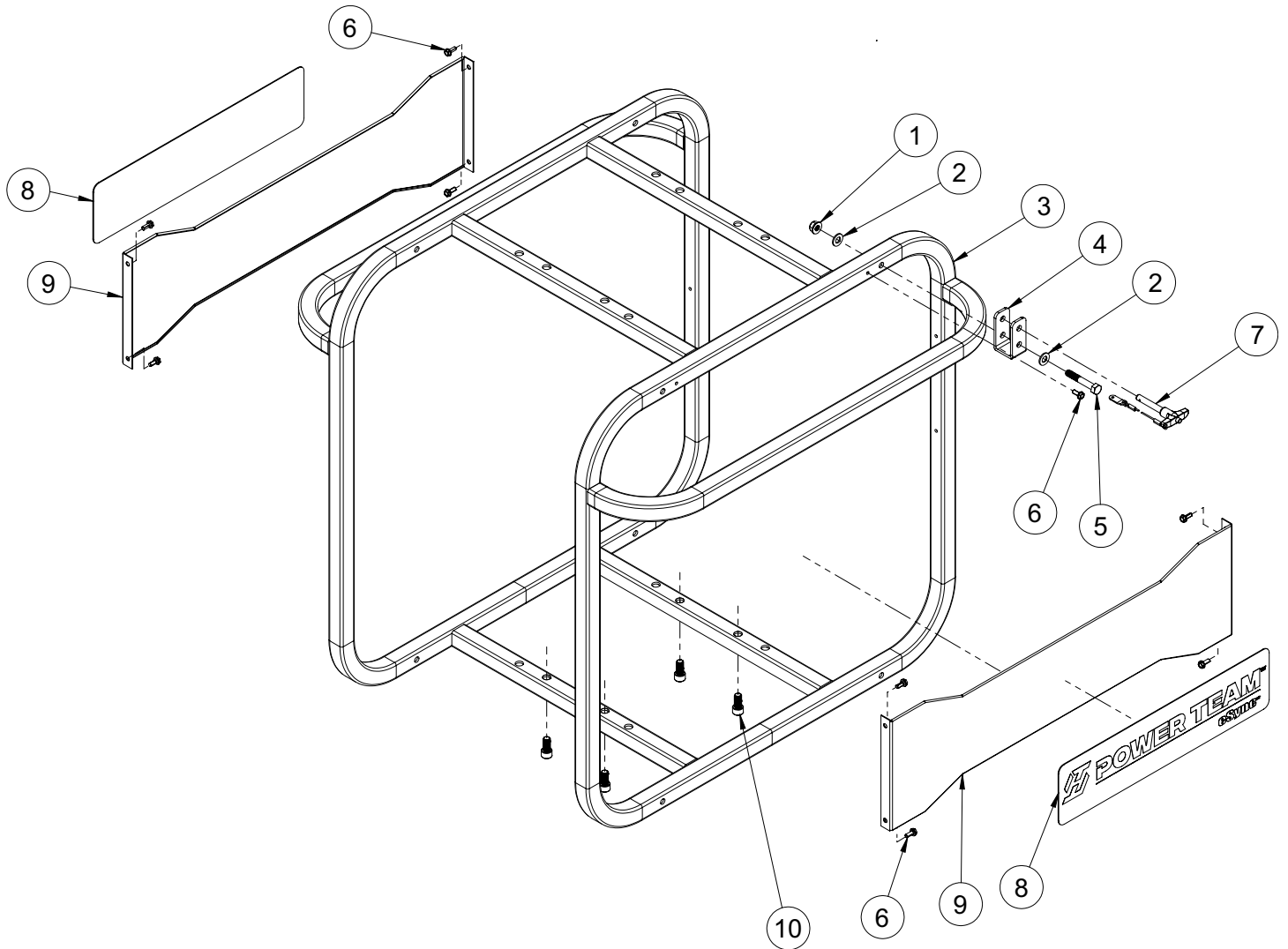


SECTION A-A

Parts List Continued

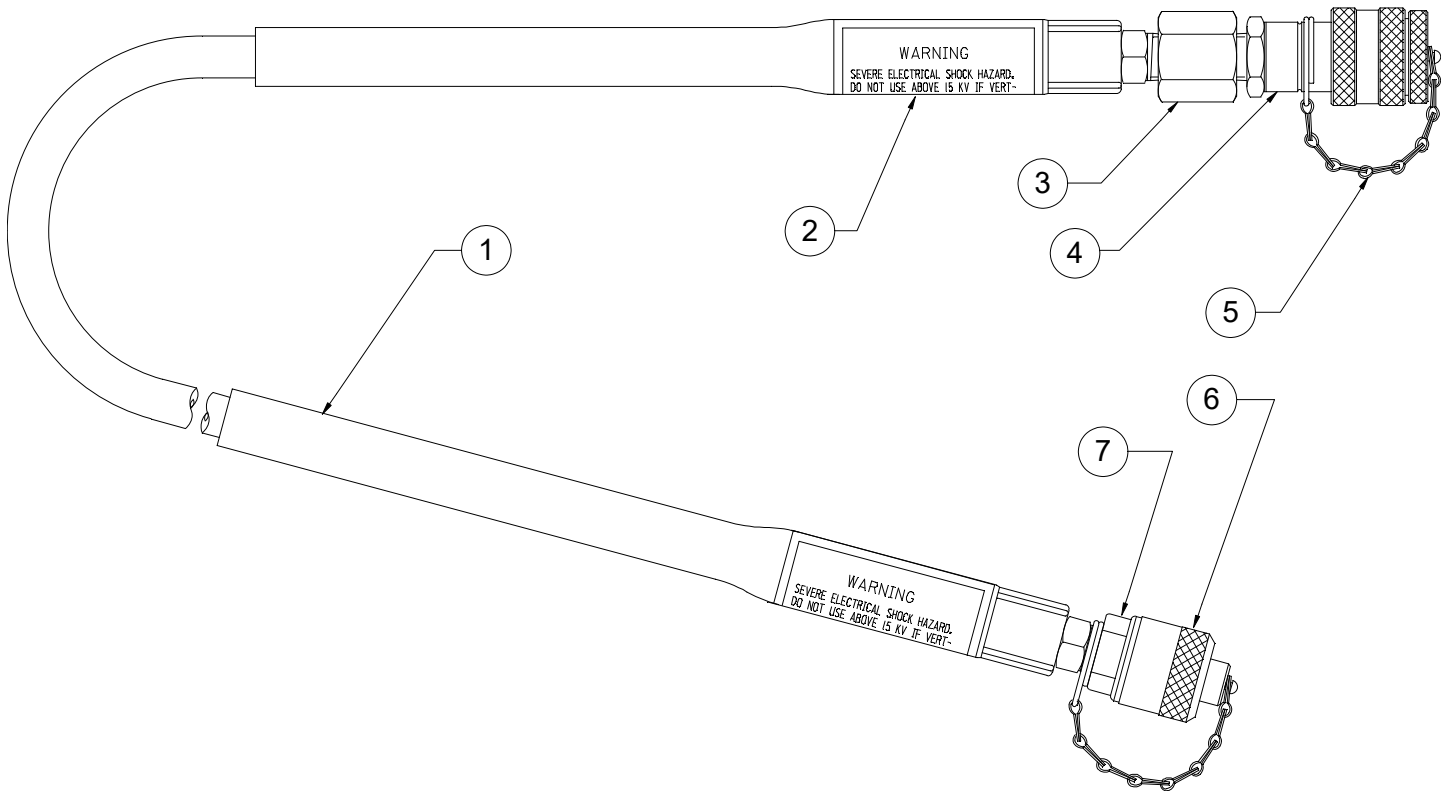
ITEM	PART NO.	DESCRIPTION	QTY.
1	HDT10575	SCREW, DRIVE RD 2 X 0.19 STD B18.6.4	4
2	2011315	TERMINAL, BUTT SPLICE 16-14AWG	2
3	2010511	WIRE, 20 AWG BLACK	8 In.
4	2010510	WIRE, 20 AWG RED	4 In.
5	2011070	TERMINAL, QUICK DISC, FEM, 1.5MM2	6
6	2011046	SWITCH, MECHANICAL PUSHBUTTON	1
7	2011045	CONNECTOR, M12 5 PIN MALE, 22 AWG	2
8	2010934	WIRE, 20 AWG BLUE	4 In.
9	2011067	FERRULE, NON-INSULATED WIRE 24-20 AWG	10
10	HDT11426	SCREW, RND 6-32 X 0.50 SLOT	4
11	2011305	BOARD, RELAY MINI - 24 VDC	1
12	2011044	FOAM, OPEN CELL - 10 PPI	1
13	F0-1010-26	CABLE CLAMP 5/16" DIA. BLACK HEAVY DUTY	1
14	2010298	SCREW, #6-32 X 0.38 BHCS, BLACK OXIDE	1
15	2010552	SCREW, FLAT #10-32 x .5 - BL ZINC PLATED	4
16	2011033	RING, ADAPTER	1
17	2011031	ADAPTER, POWERHEAD MOUNTING	1
18	2011079	HOLDER, BATTERY 9V	1
19	2011047	SEAL, SHAFT-SPRING LOADED 17mm	1
20	2011318	SPACER, .250 X .140 X .250	4
21	2011080	BATTERY, 9V 1.2Ah	1

Cage Assembly



ITEM	PART NO.	DESCRIPTION	QTY.
1	2008623	NUT, HEX FLANGE 5/16-18 NYLOCK	4
2	HDT10257	WASHER, PLAIN 0.35 x 0.67 x 0.07 ZINC	8
3	3001419	CAGE, LARGE LOOP, WELDED	1
4	2011127	U-BRACKET, MOD CAGE	4
5	10036	SCREW, HEX CAP 5/16-18 X 2	4
6	2010350	SCREW, HEX WASHER HD. TAPPING	12
7	2011131	T-HANDLE LOCK PIN, .313 OD X 1.578	4
8	1001453	DECAL, POWER TEAM ESYNC MOD CAGE COVER	2
9	2011130	COVER, SMALL SIDE	2
10	HDT10464	SCREW, 3/8-16UNC X 0.75IN SHC G8 ST BOX	4

Hose Assembly - 3-3956



ITEM	PART NO.	DESCRIPTION	QTY.
1	9773	HOSE, NON-CONDUCT, 1/4" INT'L DIA, 6 FT	1
2	3-3960	LABEL,WARNING SEVERE ELECTRICAL	2
3	HDT10682	FITTING, STR 3/8 NPTF F x 3/8 NPTF F	1
4	25600-1	COUPLER, HYD 3/8" NPTF F	1
5	9797	CAP ASSY, DUST 1-3/16-16 EXT THREAD	1
6	9799	CAP ASSY, DUST 1-3/16-16 INT THREAD	1
7	25599	COUPLER, QD 3/8INT NPTF X 1/4 HOSE	1