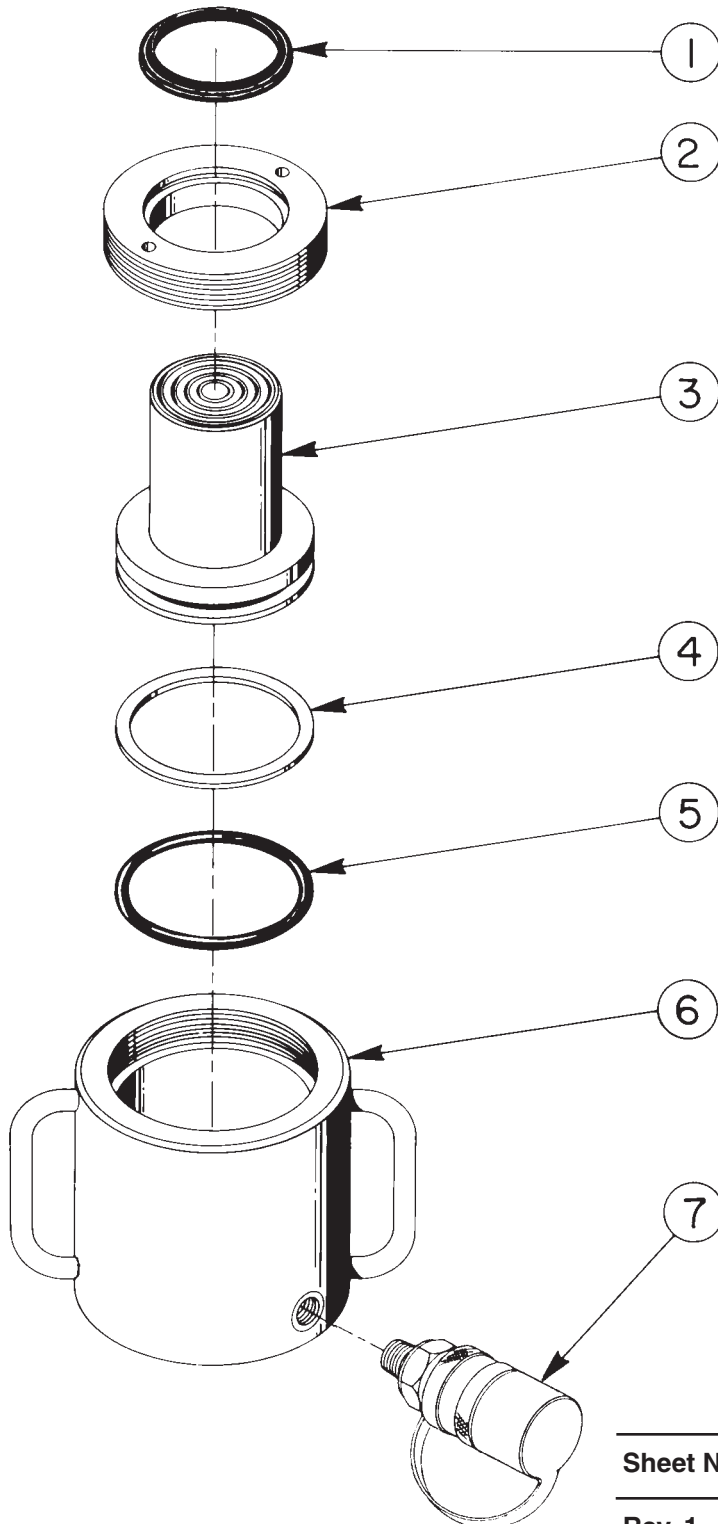


Parts List for:

RSL101	RSL302
RSL202	RSL552
	RSL1002

SINGLE-ACTING, GRAVITY RETURN HYDRAULIC CYLINDERS



Parts List, Form No. 100305, Back sheet 1 of 1

MODEL RSL101

Item No.	Part No.	No. Req'd	Description
1	*201429	1	Rod Wiper
2	201365	1	Retainer Nut
3	38845	1	Piston
4	*19784	1	Backup Washer (-221)
5	*19782	1	O-ring (-221)
6	38844	1	Cylinder Body
7	25600	1	Ram Half Coupler

PARTS INCLUDED BUT NOT SHOWN

*203908	1	Warning Decal
*205054	1	Trade Name Decal

Part numbers marked with an asterisk (*) are in Repair Kit No. 300010.

MODEL RSL202

Item No.	Part No.	No. Req'd	Description
1	*27395	1	Rod Wiper
2	38417	1	Retainer Nut
3	38850	1	Piston
4	*14830	1	Backup Washer (-227)
5	*10840	1	O-ring (-227)
6	43517	1	Cylinder Body
7	25600	1	Ram Half Coupler

PARTS INCLUDED BUT NOT SHOWN

*203908	1	Warning Decal
*205057	1	Trade Name Decal

Part numbers marked with an asterisk (*) are in Repair Kit No. 300011.

MODEL RSL302

Item No.	Part No.	No. Req'd	Description
1	*204960	1	Rod Wiper
2	38754	1	Retainer Nut
3	38755	1	Piston
4	*11788	1	Backup Washer (-333)
5	*11763	1	O-ring (-333)
6	43466	1	Cylinder Body
7	25600	1	Ram Half Coupler

PARTS INCLUDED BUT NOT SHOWN

*203908	1	Warning Decal
*204881	1	Trade Name Decal

Part numbers marked with an asterisk (*) are in Repair Kit No. 300012.

MODEL RSL552

Item No.	Part No.	No. Req'd	Description
1	*204969	1	Rod Wiper
2	38779	1	Retainer Nut
3	38778	1	Piston
4	*11833	1	Backup Washer (-340)
5	*11768	1	O-ring (-340)
6	43485	1	Cylinder Body
7	25600	1	Ram Half Coupler

PARTS INCLUDED BUT NOT SHOWN

*203908	1	Warning Decal
*204968	1	Trade Name Decal

Part numbers marked with an asterisk (*) are in Repair Kit No. 300013.

MODEL RSL1002

Item No.	Part No.	No. Req'd	Description
1	*204977	1	Rod Wiper
2	43493	1	Retainer Nut
3	43492	1	Piston
4	*10325	1	Backup Washer (-426)
5	*10291	1	O-ring (-426)
6	51415	1	Cylinder Body
7	25600	1	Ram Half Coupler

PARTS INCLUDED BUT NOT SHOWN

*203908	1	Warning Decal
*204976	1	Trade Name Decal

Part numbers marked with an asterisk (*) are in Repair Kit No. 300014.

Refer to any operating instructions included with this product for detailed information about operation, testing, disassembly, reassembly, and preventive maintenance.

Items found in this parts list have been carefully tested and selected. **Therefore: Use only genuine Power Team replacement parts!**

Additional questions can be directed to our Technical Services Department.