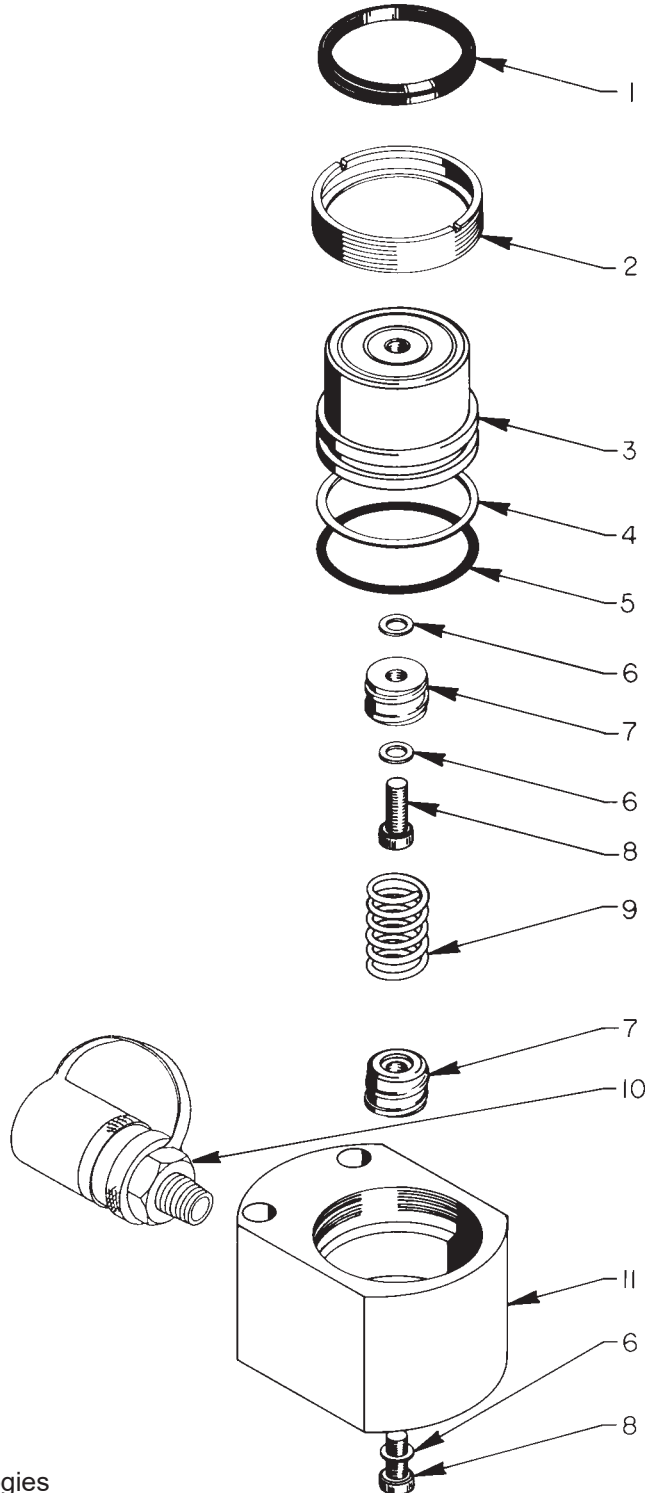


SINGLE-ACTING, SPRING RETURN HYDRAULIC CYLINDER

Max. Capacity: 32.4 Tons (292,6 kN) At 10,000 PSI (700 Bar)



Item No.	Part No.	No. Req'd	Description
1	*204969	1	Rod Wiper
	†205717	1	Rod Wiper
2	38963	1	Retainer Nut (Torque to 500/525 in. lbs.)
3	43572	1	Piston
4	*†19717	1	Backup Washer (Teflon, -231)
5	*10936	1	O-ring (2-7/8 x 2-5/8 x 1/8, -231)
	†19042	1	O-ring (2-7/8 x 2-5/8 x 1/8, -231)
6	*†11031	3	Soft Copper Washer
7	204570	2	Spring Retainer (See diagram below)
8	19253	2	Cap Screw (Torque to 170/180 in. lbs.)
9	204573	1	Extension Spring
10	9796	1	Ram Half Coupler (For RL300)
	210916	1	Quick Coupler (For 5RL300S)
11	43571	1	Cylinder Body

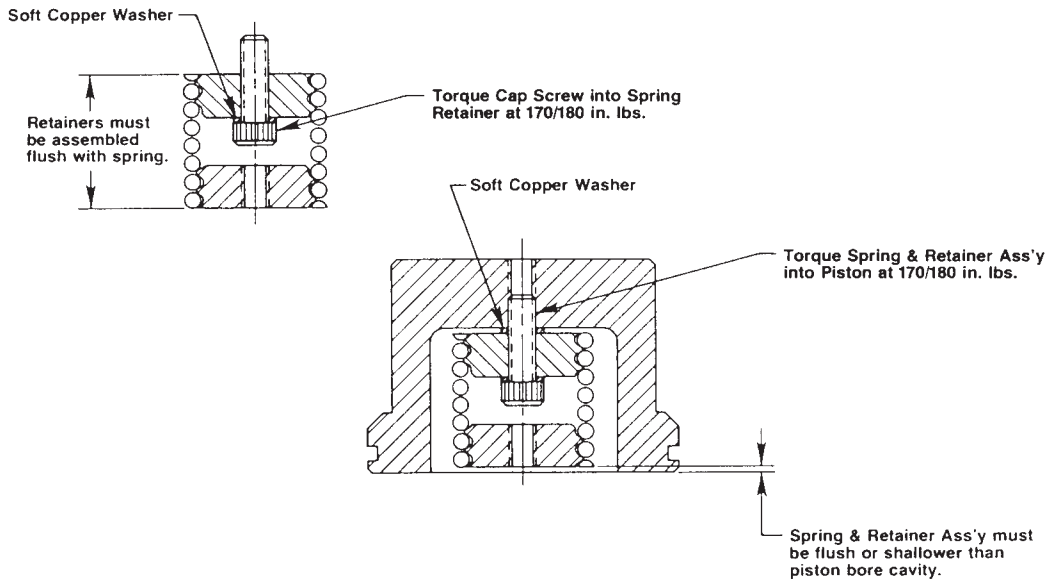
PARTS INCLUDED BUT NOT SHOWN

†19526	1	O-ring (1" x 3/4 x 1/8, -210; For couplers)
†205724	1	Decal (Viton)
205203	1	Trade Name Decal (For RL300)
210488	1	Trade Name Decal (For 5RL300S)
*203908	1	Warning Decal

Part numbers marked with an asterisk (*) are contained in Standard Repair Kit No. 300021.
 Part numbers marked with a dagger (†) are contained in Viton Seal Kit No. 300214.

ASSEMBLY INSTRUCTIONS

NOTE: Illustrations may look different from actual cylinder.



Refer to any operating instructions included with this product for detailed information about operation, testing, disassembly, reassembly, and preventive maintenance.

Items found in this parts list have been carefully tested and selected. **Therefore: Use only genuine Power Team replacement parts!**

Additional questions can be directed to our Technical Services Department.