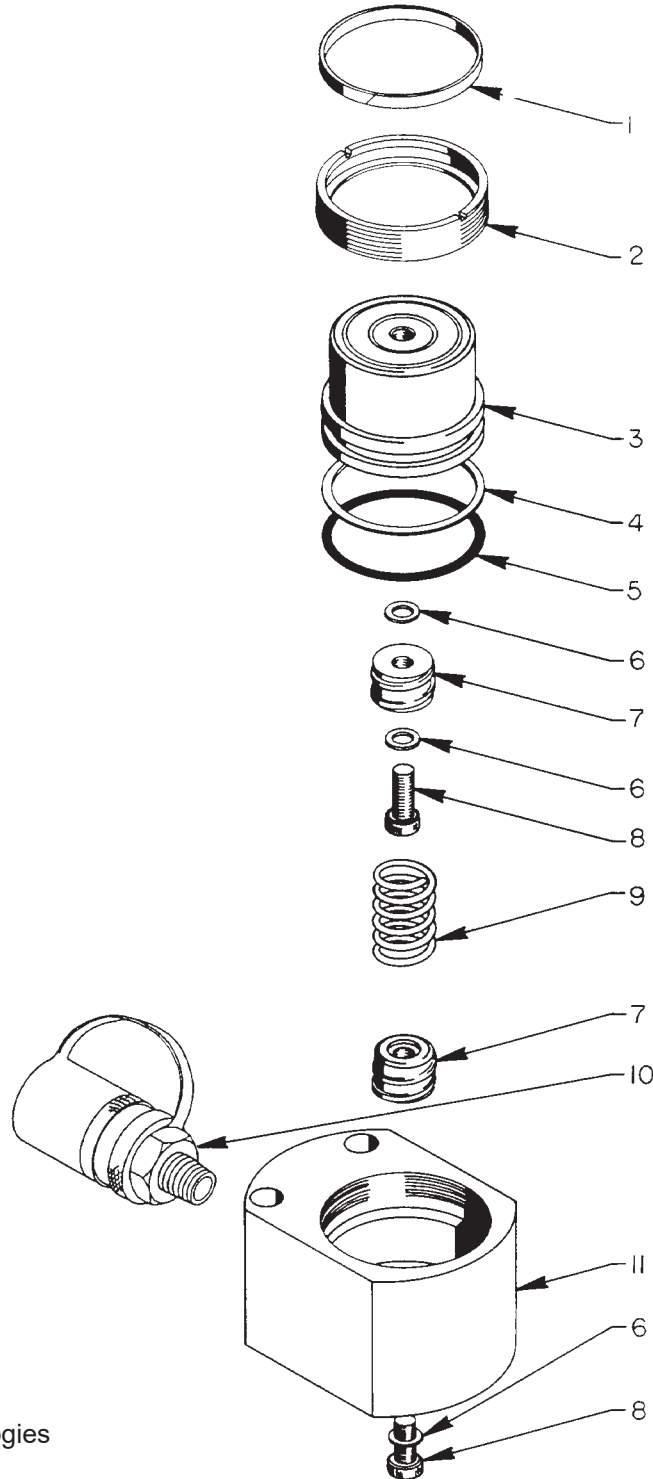


SINGLE-ACTING, SPRING RETURN HYDRAULIC CYLINDER

Max. Capacity: 11.2 Tons (101,2 kN) at 10,000 PSI (700 Bar)



Parts List, Form No. 100329, Back sheet 1 of 1

Item No.	Part No.	No. Req'd	Description
1	*†201429	1	Rod Wiper
2	201365	1	Retainer Nut (Torque to 40/50 in. lbs.)
3	38424	1	Piston
4	*†19272	1	Teflon Backup Washer (1-11/16 X 1-1/2 X 3/32, -128)
5	*14739	1	O-ring (1-11/16 X 1-1/2 X 3/32, -128)
	†19010	1	O-ring (1-11/16 X 1-1/2 X 3/32, -128)
6	*†10442	3	Soft Copper Washer (3/8 X 1/4 X 1/32)
7	204414	2	Spring Retainer (See diagram below)
8	19268	2	Cap Screw (1/4-20 X 5/8 Lg.; Torque to 90/100 in. lbs.)
9	204583	1	Extension Spring
10	9796	1	Ram Half Coupler (For RL100)
	210916	1	Quick Coupler (For 5RL100S)
11	43275	1	Cylinder Body

PARTS INCLUDED BUT NOT SHOWN

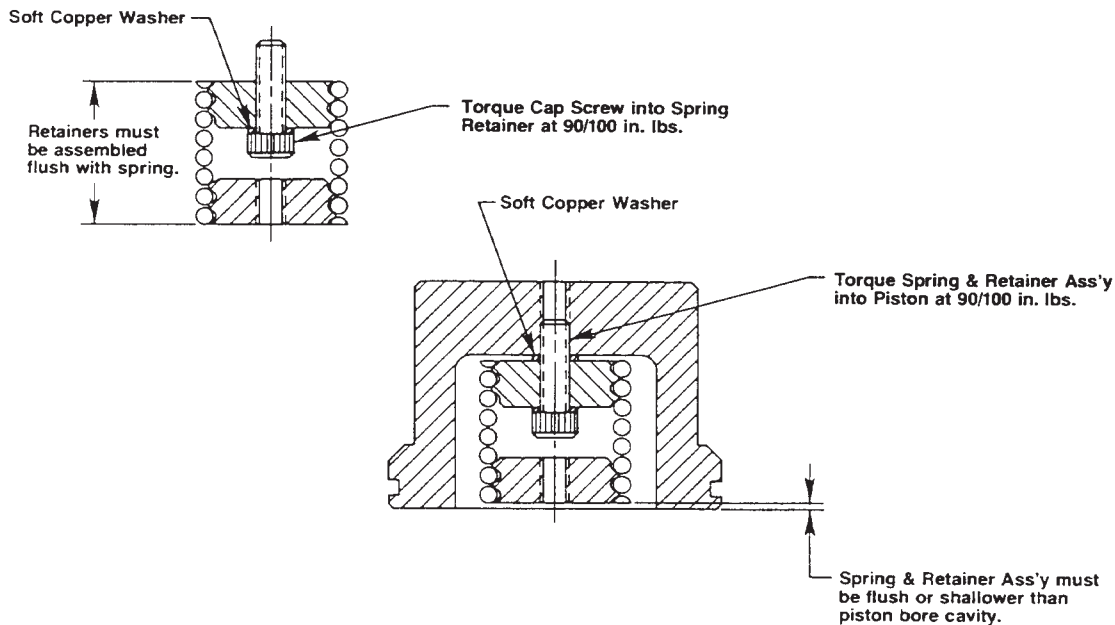
204584	1	Trade Name Decal (For RL100)
210486	1	Trade Name Decal (For 5RL100S)
*203908	1	Warning Decal
†19526	1	O-ring (1 X 3/4 X 1/8, -210; for coupler)
†205724	1	Decal (Viton)

Part numbers marked with an asterisk (*) are contained in Standard Repair Kit No. 300080.

Part numbers marked with a dagger (†) are contained in Viton Seal Repair Kit No. 300217.

ASSEMBLY INSTRUCTIONS

NOTE: Illustrations may look different from actual cylinder.



Refer to any operating instructions included with this product for detailed information about operation, testing, disassembly, reassembly, and preventive maintenance.

Items found in this parts list have been carefully tested and selected. **Therefore: Use only genuine Power Team replacement parts!**

Additional questions can be directed to our Technical Services Department.