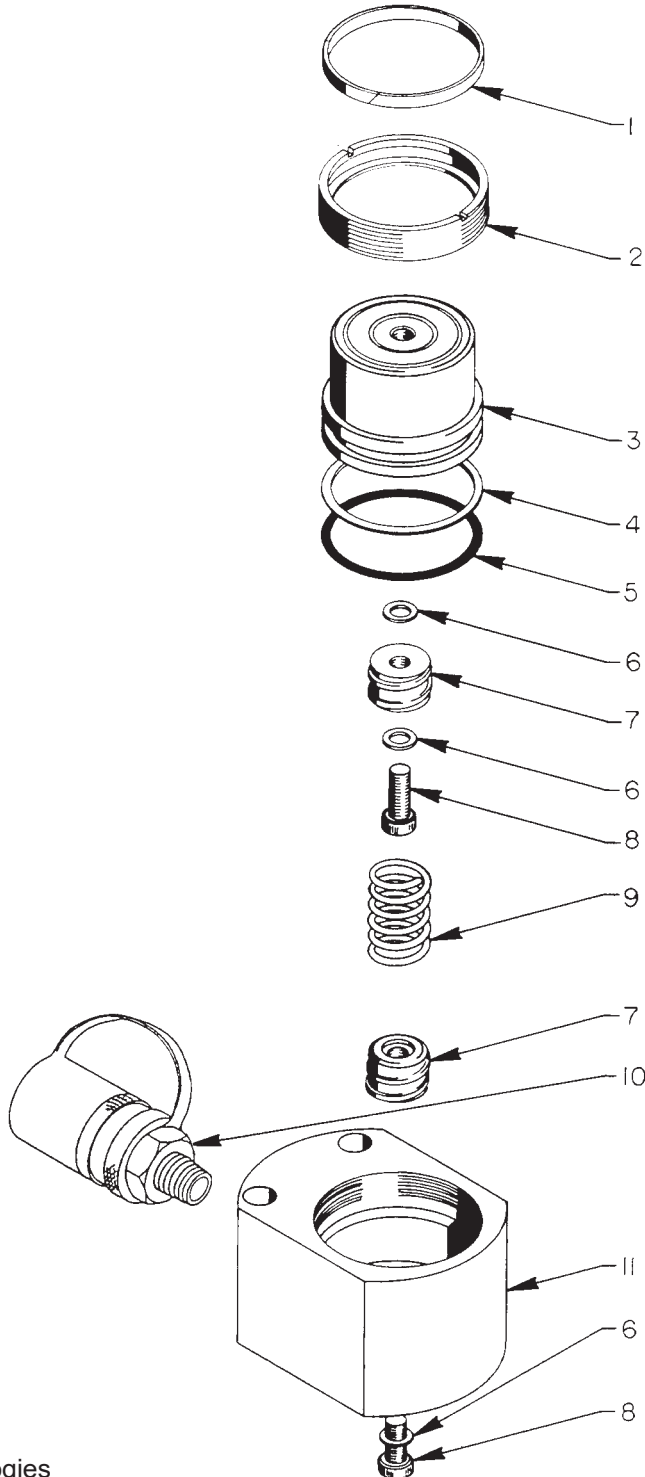


**SINGLE-ACTING, SPRING RETURN
HYDRAULIC CYLINDER**
Max. Capacity: 22.1 Tons (199,6 kN) At 10,000 PSI (700 Bar)



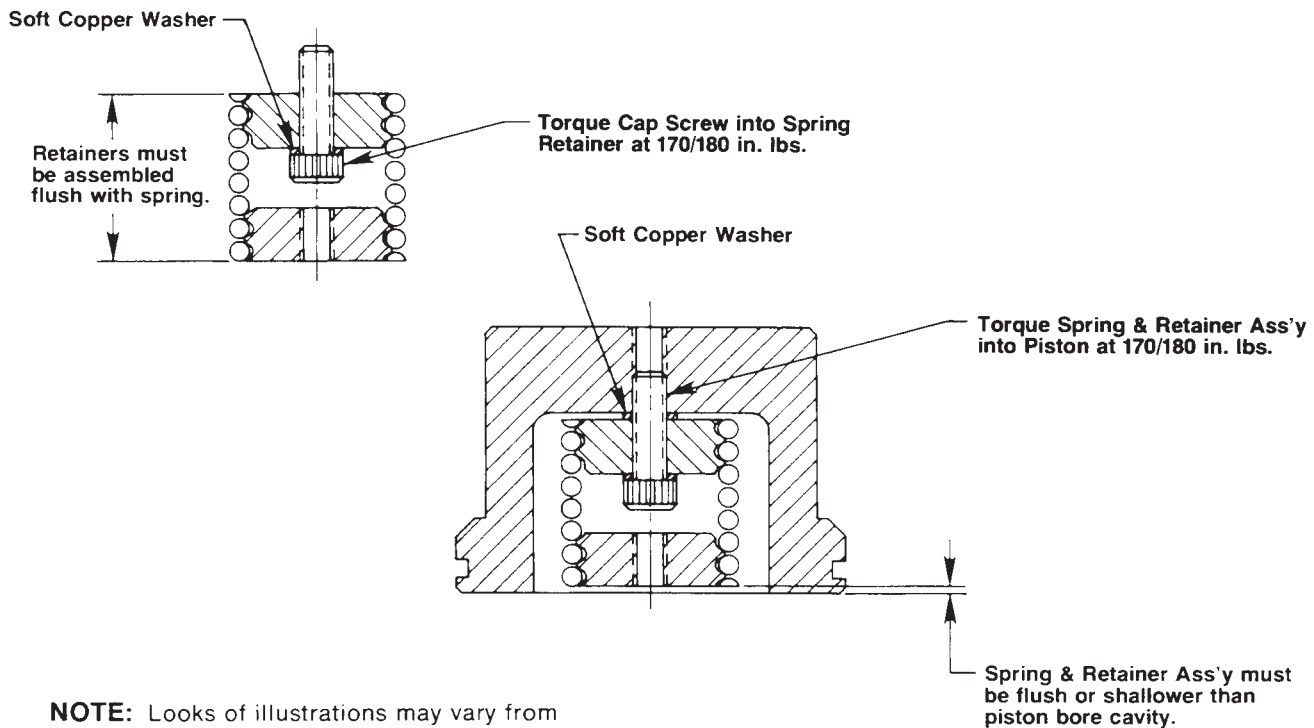
Item No.	Part No.	No. Req'd	Description
1	*27395	1	Rod Wiper
2	38417	1	Retainer Nut (Torque to 500/525 in lbs.)
3	38418	1	Piston
4	*19147	1	Backup Washer (Teflon, -227)
5	*10840	1	O-ring (2-3/8 X 2-1/8 X 1/8, -227)
6	*11031	3	Soft Copper Washer
7	204570	2	Retainer (See diagram below)
8	19253	2	Cap Screw (5/16-18 X 3/4 Lg.; Torque to 170/180 in. lbs.)
9	204573	1	Extension Spring
10	9796	1	Ram Half Coupler
11	43272	1	Cylinder Body

PARTS INCLUDED BUT NOT SHOWN

204580	1	Decal (Trade Name)
*203908	1	Decal (Caution)

Parts numbers marked with an asterisk (*) are included in Repair Kit No. 300081.

ASSEMBLY INSTRUCTIONS



NOTE: Looks of illustrations may vary from actual cylinder.

Refer to any operating instructions included with this product for detailed information about operation, testing, disassembly, reassembly, and preventive maintenance.

Items found in this parts list have been carefully tested and selected. **Therefore: Use only genuine Power Team replacement parts!**

Additional questions can be directed to our Technical Services Department.