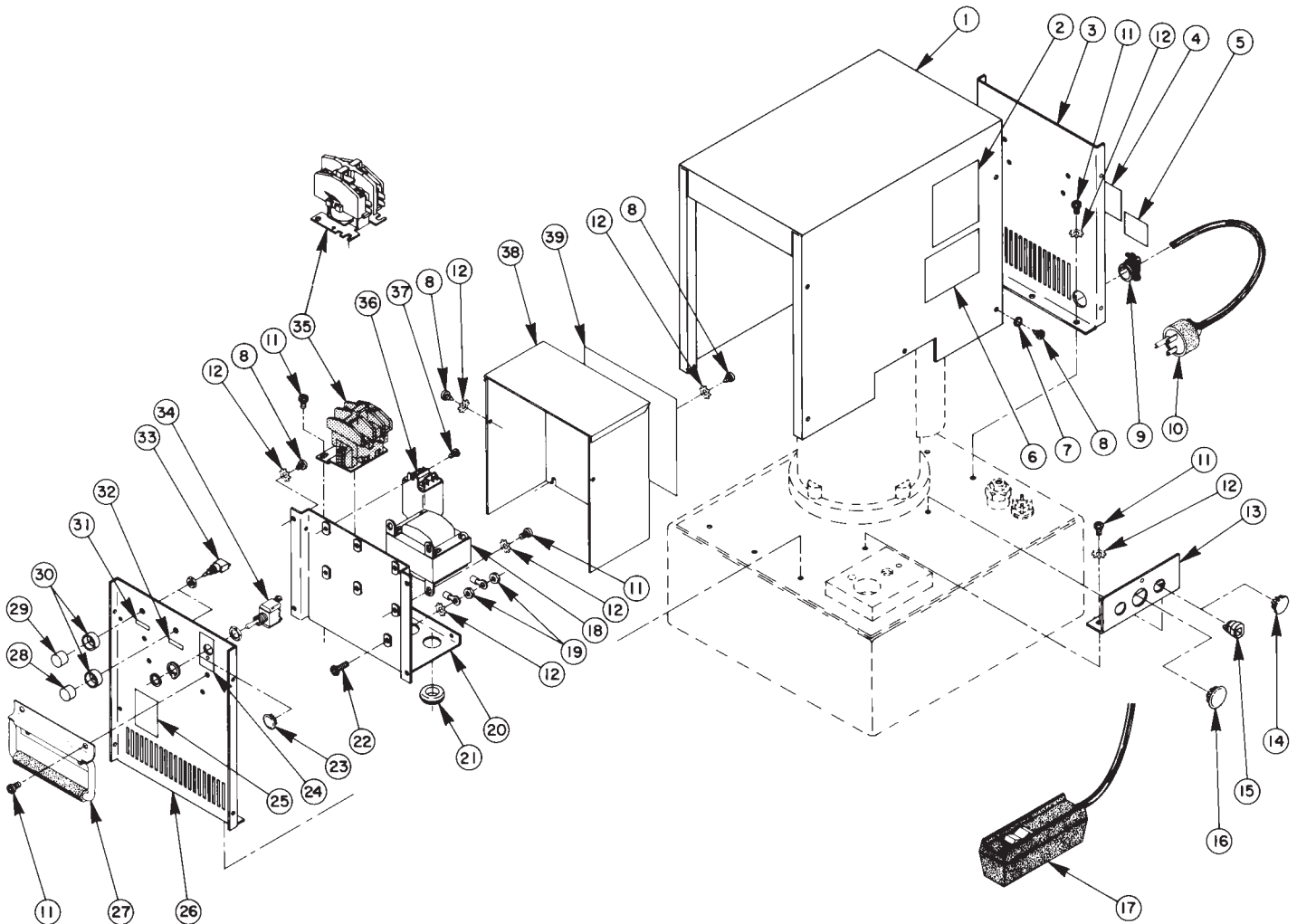


MODEL C
ELECTRIC TWO-STAGE HYDRAULIC PUMP
CONTROL BOX & COVER ASSEMBLY



Parts List, Form No. 100355, Back sheet 1 of 1

Item No.	Part No.	No. Req'd	Description	Item No.	Part No.	No. Req'd	Description
1	50937WH2	1	Top Cover	32	203769	1	Stop Decal
2	309219	2	Trade Name Decal	33	205508	2	Pushbutton Switch
3	42400OR9	1	Back End Panel		*45279	2	Pushbutton Switch
4	200188	1	Elect. Warning Decal	34	16617	1	On-Off-Jog Switch (Manual & pressure switch units)
5	203656	1	Voltage Decal (50 cycle units only)	35	16153	1	Starter Relay (Pressure switch & 60 cycle manual units)
6	39267	1	Marking Decal (60 cycle units only)		**52061-1	1	Starter Relay (Pressure switch & 60 cycle manual units)
7	12356	9	Lockwasher (#10 internal)		16153-2	1	Starter Relay (50 cycle manual units)
8	14394	17	Self-Tapping Screw (#10 X 3/8 Lg.)		**52061-2	1	Starter Relay (50 cycle manual units)
9	11203	1	Strain Relief		16153-4	1	Starter Relay (Solenoid units)
10	25229	1	Cord Set (14/3 SJTO, 60 cycle units only)		**52061-4	1	Starter Relay (Solenoid units)
11	16613	18	Mach. Screw (#10-24 X 5/16 Lg.; Manual & pressure switch units)	36	18842	1	Control Relay (Solenoid units)
	16613	22	Mach. Screw (#10-24 X 5/16 Lg.; solenoid units)	37	10159	2	Rd. Hd. Mach. Screw (#6-32 UNC X 5/16 Lg.; used to mount control relay)
12	11108	17	Lockwasher (#10 external; manual & pressure switch units)	38	42439OR9	1	Elect. Box Cover
	11108	21	Lockwasher (#10 external; solenoid units)	39	39402	1	Elect. Schematic Decal (Solenoid & manual units)
13	36746WH2	1	Angle Plate		39505	1	Elec. Schematic Decal (Pressure switch units)
14	16412	2	Snap Plug (For 5/8" hole; manual units)	PARTS INCLUDED BUT NOT SHOWN			
	16412	1	Snap Plug (For 5/8" hole; pressure switch units)	16457	1	Pressure Gauge (Pressure switch units)	
15	15993	2	Bushing (Solenoid units)	205189	1	Ground Decal	
	15593	1	Bushing (Pressure switch units)	11144	1	90° Strain Relief (Solenoid units)	
16	15327	1	Snap Plug (For 7/8" hole)	12908	2 Ft.	Solenoid Cable, 18/3 SO (Solenoid units)	
17	202777	1	Remote Control Assembly (For 3-way solenoid valve units)	308752	8 Ft.	Elect. Cable, 14/3 SJTO (220V, 50 Hz.)	
	202778	1	Remote Control Assembly (For 4-way solenoid valve units)	203722	1	Patent Decal	
18	39692	1	Transformer (Solenoid units only)	OPTIONAL VALVES/MANIFOLD/PRESSURE SWITCH			
19	10197	2	Nut (#10-24 UNC)	V23A	1	Automatic Valve Assembly (See Form #100415)	
20	51668OR9	1	Elect. Stand-Off	9505	1	3-Way Manual Valve Assembly (See Form #100627)	
21	15497	2	Rubber Grommet	V33S	1	3-Way Solenoid Valve Assembly (See Form #100422)	
22	104484	1	Hex Hd. Mach. Screw (#10-24 X 3/4 Lg.)	9506	1	4-Way Manual Valve Assembly (See Form #100628)	
23	17782	1	Snap Plug (For 1/2" hole; solenoid units only)	9512	1	4-Way Solenoid Valve (See Form #100682)	
24	203912	1	On-Off-Jog Decal (Manual & pressure switch units)	9626	1	Manifold Assembly (See Form #100605)	
25	204015	1	Thermal Protection Decal	9625	1	Pressure Switch Assembly (See Form #100589)	
26	51203OR9	1	Front End Panel				
27	16612	2	Handle				
28	104487	1	Pushbutton Switch (Red)				
	*209071	1	Pushbutton Switch (Red)				
29	104486	1	Pushbutton Switch (Green)				
	*209070	1	Pushbutton Switch (Green)				
30	18608	2	Switch Guard				
31	203808	1	Start Decal				

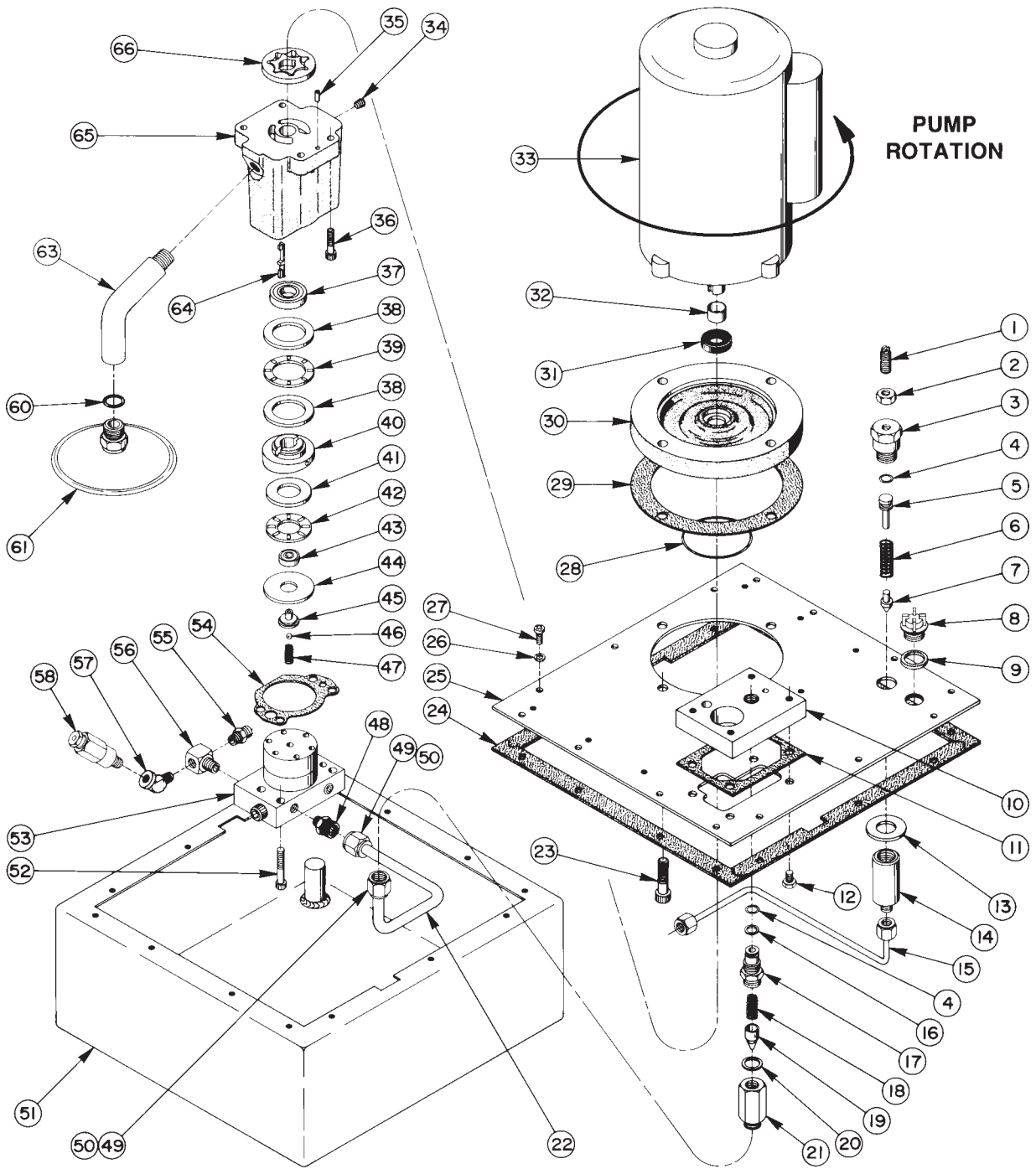
NOTE: * After April 1983
 ** After March 1983

Refer to any operating instructions included with this product for detailed information about operation, testing, disassembly, reassembly, and preventive maintenance.

Items found in this parts list have been carefully tested and selected. **Therefore: Use only genuine Power Team replacement parts!**

Additional questions can be directed to our Technical Services Department.

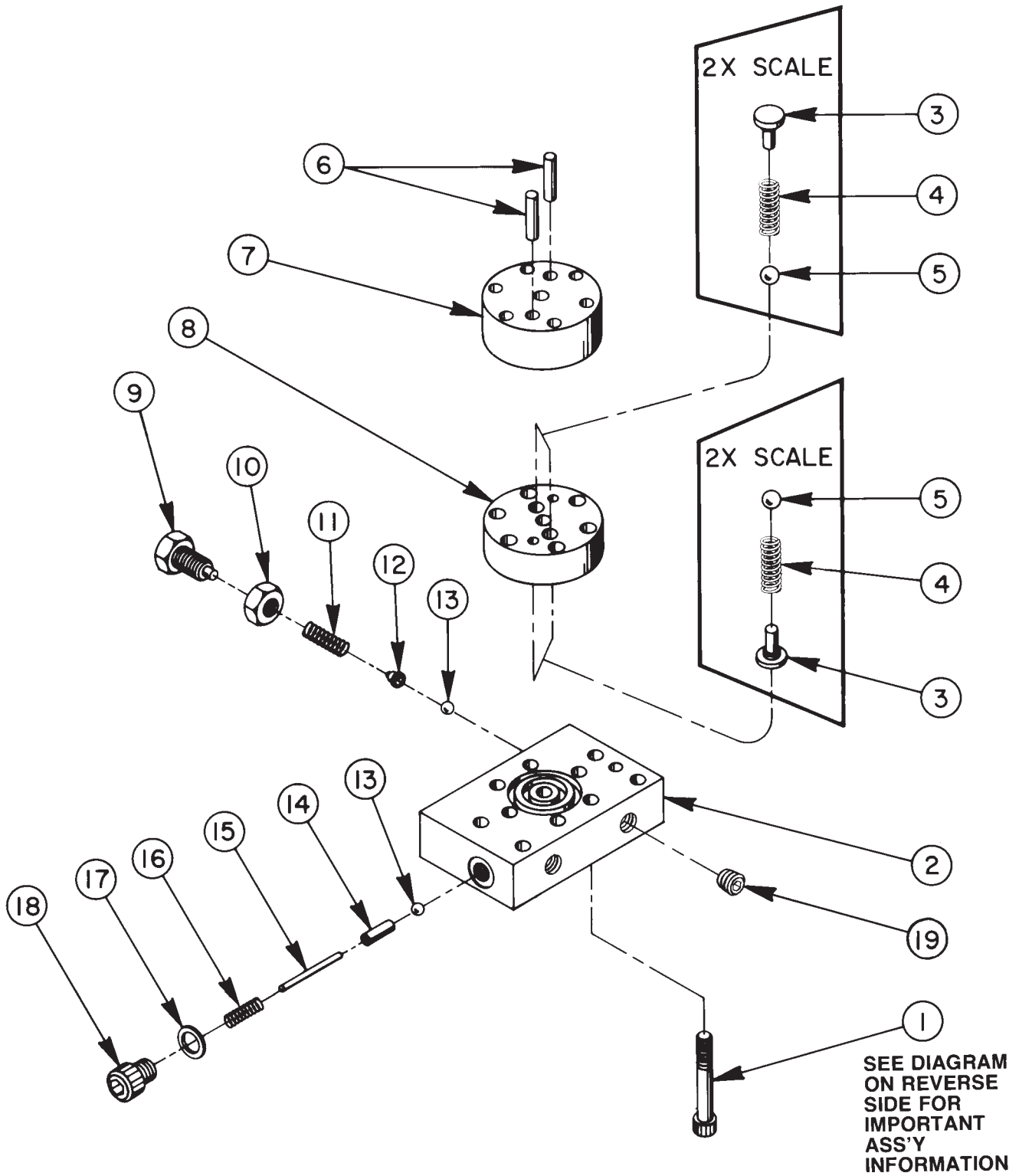
BASIC PUMP ASSEMBLY



Parts List, Form No. 100355, Back sheet 2 of 4

Item No.	Part No.	No. Req'd	Description	Item No.	Part No.	No. Req'd	Description
1	22362	1	Valve Adjusting Screw	34	11084	1	Pipe Plug (1/16 NPTF)
2	10386	1	Jam Nut (3/8-24 UNF)	35	10808	1	Dowel Pin (1/8 X 3/8 Lg.)
3	21305	1	Valve Cap	36	10016	4	Soc. Hd. Cap Screw (1/4-20 UNC X 1" Lg.; Torque to 90/100 in. lbs.)
4	10268	2	O-ring (1/2 X 3/8 X 1/16)	37	15695	1	Ball Bearing
5	21306	1	Spring Guide	38	11227	2	Needle Thrust Race
6	10495	1	Compression Spring (1/2 O.D. X 1-5/8 Lg.)	39	11228	1	Needle Thrust Bearing
7	21046	1	Valve Stem	40	35271	1	Angle Plate
8	20937	1	Filler Plug	41	15432	1	Needle Thrust Race
9	200415	1	Washer	42	15431	1	Needle Thrust Bearing
10	41839	1	Valve Block	43	11814	1	Ball Bearing
11	200395	1	Gasket	44	23548	1	Top Plate
12	10004	4	Hex Hd. Cap Screw (1/4-20 X 3/8 Lg.)	45	23547	1	Top Bearing Plate
13	12330	1	Washer (For 3/4" bolt)	46	10375	1	Steel Ball (1/4" Dia.)
14	22361	1	Body	47	10361	1	Compression Spring (1/4 O.D. X 1" Lg.)
15	202443	1	Oil Line Assembly (Includes fittings)	48	12696	1	Tube Connector (3/8 Tube X 1/8 NPTF)
16	11863	1	Backup Washer (1/2 X 3/8 X 1/16)	49	10431	2	Tube Nut (3/8 X 5/8-18 UNF)
17	201817	1	Valve Connector	50	10430	2	Tube Sleeve
18	16669	1	Compression Spring (Used on pump with 3-way solenoid valve)	51	60354OR9	1	Reservoir
19	20771	1	Poppet	52	10020	4	Soc. Hd. Cap Screw (1/4-20 UNC X 1-1/4 Lg.; Torque to 110/120 in. lbs.)
20	10261	1	Soft Copper Washer (3/4 X 19/32 X 1/32)	53	36922	1	High Pressure Pump Assembly (See Sheet 3 of 4)
21	201879	1	Valve Body	54	27776	1	Gasket
22	38397	1	Oil Line	55	14844	1	Straight Fitting (1/8 NPTF X 7/16-20 UNF)
23	10984	4	Soc. Hd. Cap Screw (3/8-16 X 1-1/2 Lg.; Torque to 90/100 in. lbs.)	56	24702	1	Tee (1/8 NPTF M to F)
24	50936	1	Reservoir Gasket	57	19121	1	45° Elbow (1/8 NPTF X 1/8 F)
25	50938WH2	1	Cover Plate	58	21278	1	Relief Valve Assembly (Set at 10,100/10,700 PSI)
26	12356	14	Serrated Washer (#10 internal tooth)	60	10300	1	O-ring (5/8 X 15/32 X .078)
27	16876	14	Machine Screw (#10-24 X 1/2 Lg.)	61	21344	1	Filter Assembly
28	15690	1	O-ring (2-5/8 X 2-1/2 X 1/16)	63	305654	1	Intake Tube
29	35541	1	Gasket	64	200798	1	Key
30	50751	1	Pump Body	65	50752	1	Pump Housing
31	15694	1	Rod Wiper (1-1/16 X 5/8 X 3/16)	66	15693	1	Gerotor Set
32	15696	1	Wear Sleeve				
33	18591	1	Motor (3/4 H.P., 115/230V, 60 Hz.)				
	18592	1	Motor (3/4 H.P., 110/220V, 50 Hz.)				

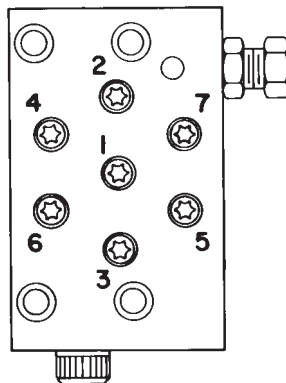
#36922 HIGH PRESSURE PUMP ASSEMBLY



Item No.	Part No.	No. Req'd	Description
1	*16747	7	Torx Drive Cap Screw (1/4-28 X 1-3/4 Lg.; See diagram below)
2	*36912	1	Pump End Plate
3	*24549	4	Valve Guide
4	*10445	4	Compression Spring (.161 O.D. X 23/32 Lg.)
5	*12223	4	Steel Ball (3/16" Dia.)
6	*20775	2	Piston
7	*41006	1	Pump Barrel
8	*41007	1	Valve Head
9	200797	1	Adjusting Screw
10	10386	1	Jam Nut (3/8-24 UNF)
11	15691	1	Compression Spring (1/4 O.D. X 5/8 Lg.)
12	200796	1	Spring & Ball Adapter
13	10375	2	Steel Ball (1/4" Dia.)
14	201998	1	Sleeve
15	12571	1	Roll Pin (1/8 X 1-3/8 Lg.)
16	14431	1	Compression Spring (3/16 O.D. X 3/4 Lg.)
17	12042	1	Copper Washer (9/16 X 3/8 X 1/32)
18	29690	1	Cap Screw (Torque to 180 in. lbs.)
19	10427	1	Pipe Plug (1/8 NPTF)

When replacing items marked with an asterisk (*), consult our Technical Service department.

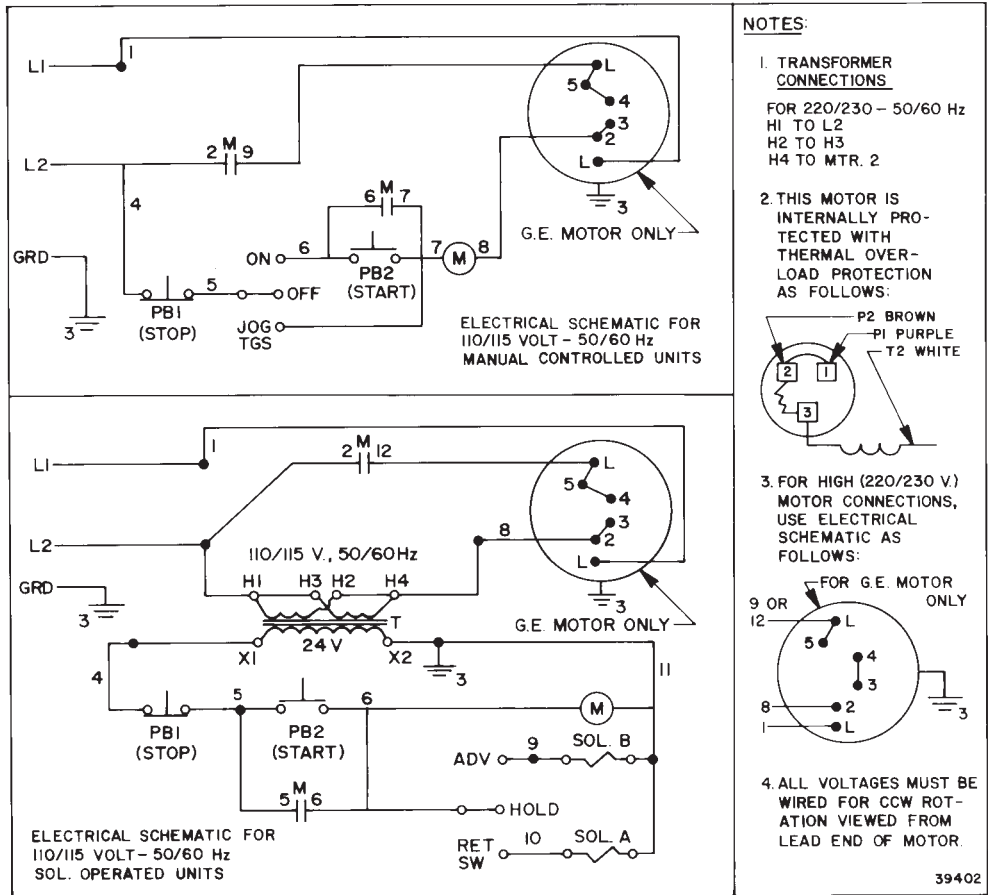
BOLT TIGHTENING SEQUENCE



NOTE: Assemble in sequence shown. Lubricate under head and on threads. Torque to 170 in. lbs.

ELECTRICAL SCHEMATICS

ELECTRIC SCHEMATIC FOR MANUAL AND SOLENOID OPERATED UNITS



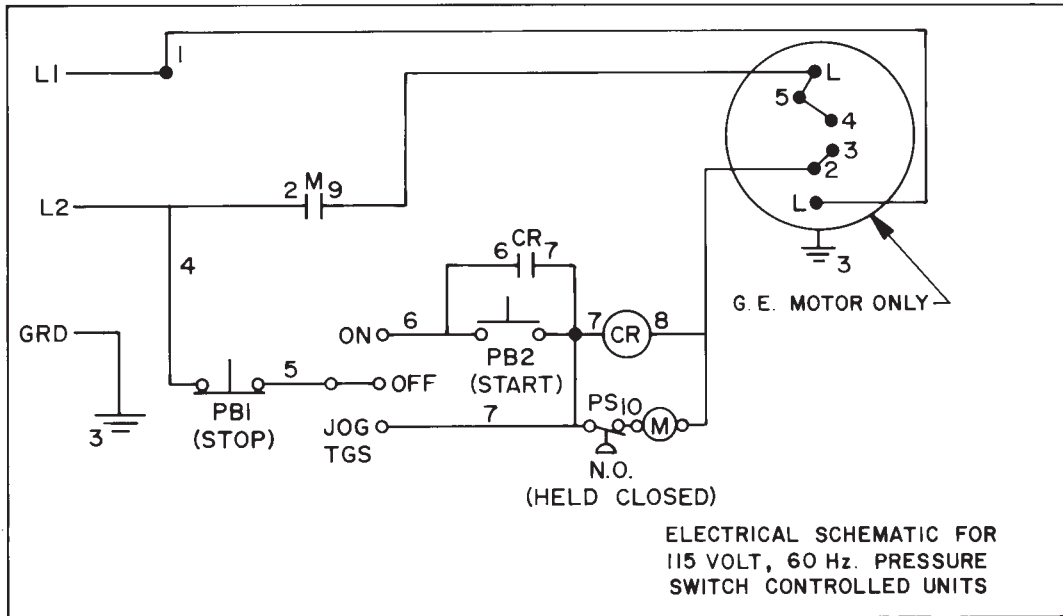
WARNING: To help prevent personal injury, all electrical work must be done by a qualified electrician.

North American & International Color Codes

Conductors	North American	International
Line	Black	Brown
Neutral	White	Blue
Ground	Green	Green/Yellow

ELECTRICAL SCHEMATICS CONT.

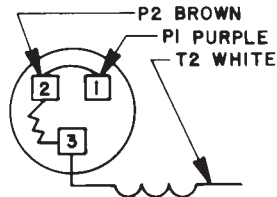
ELECTRIC SCHEMATIC FOR PRESSURE SWITCH CONTROLLED UNITS



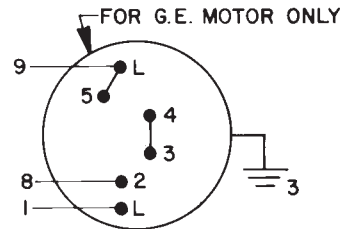
NOTES:

1. MOTOR CONNECTIONS

THIS MOTOR IS INTERNALLY PROTECTED WITH THERMAL OVERLOAD PROTECTION AS FOLLOWS:



2. FOR HIGH (230 VOLT) MOTOR CONNECTIONS USE ELECTRICAL SCHEMATIC AS FOLLOWS:



4. ALL VOLTAGES MUST BE WIRED FOR CCW ROTATION VIEWED FROM LEAD END OF MOTOR.

39505

NOTE: The following Voltage Conversion Kits are available to convert from 115 volt to 230 volt:

- 205560 --- Solenoid Valve Operated
- 205693 --- Manual Valve Operated
- 205731 --- Pressure Switch Operated



WARNING: To help prevent personal injury, all electrical work must be done by a qualified electrician.

North American & International Color Codes

Conductors	North American	International
Line	Black	Brown
Neutral	White	Blue
Ground	Green	Green/Yellow