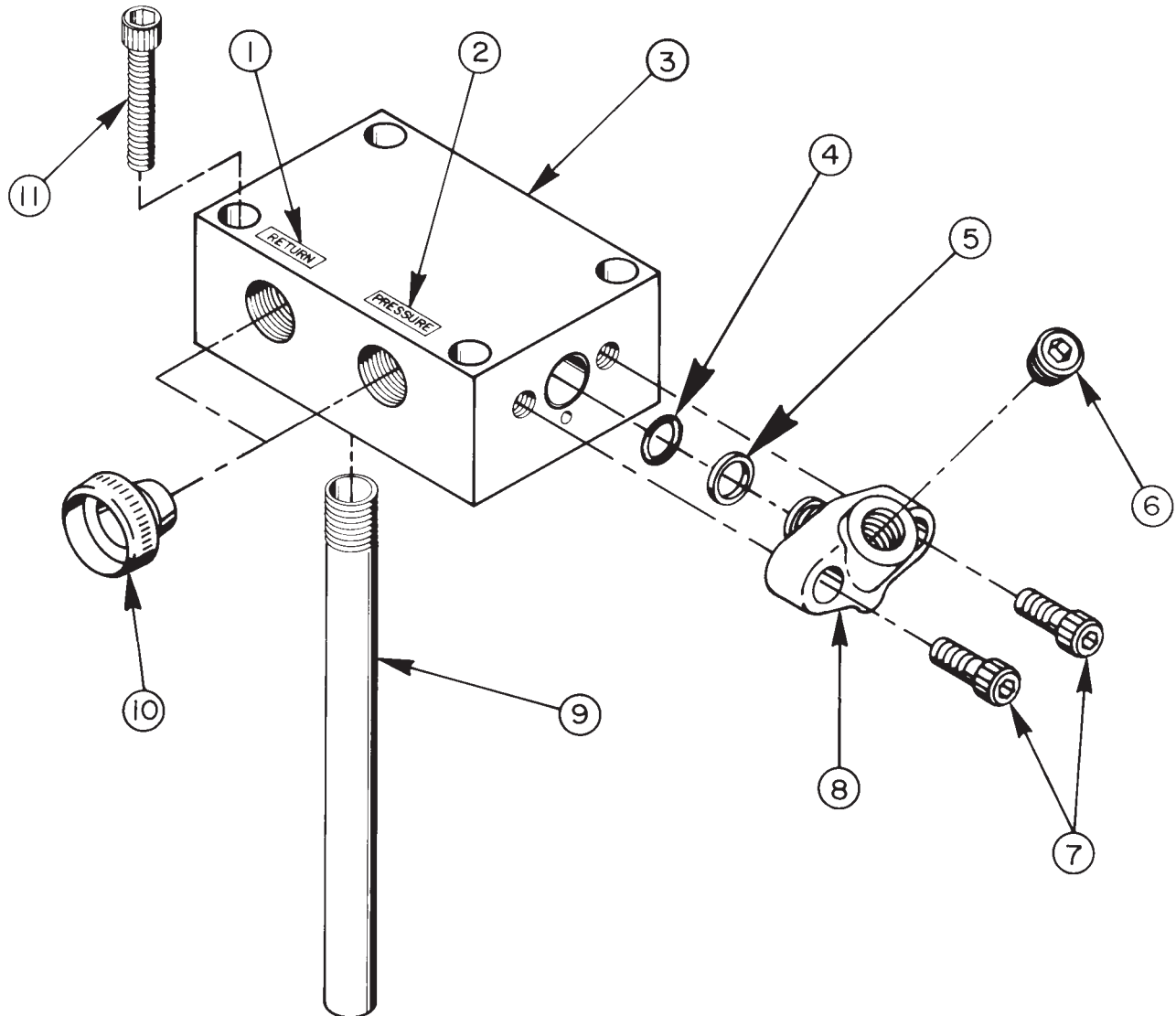


Parts List for:

9618
37388
M38
Y-30383

MANIFOLD ASSEMBLY



| Item No. | Part No. | No. Req'd | Description |
|----------|----------|-----------|---|
| 1 | 201746 | 1 | Decal |
| 2 | 201747 | 1 | Decal |
| 3 | 42744 | 1 | Manifold Block |
| 4 | 10268 | 1 | O-ring (3/8 X 1/2 X 1/16, -012) |
| 5 | 11863 | 1 | Backup Washer (Teflon, -012) |
| 6 | 10479 | 1 | Pipe Plug (1/4 NPTF) |
| 7 | 10006 | 2 | Soc. Hd. Cap Screw (1/4-20 X 5/8 Lg.) |
| 8 | 20866 | 1 | Adapter |
| 9 | 200609 | 1 | Drain Line |
| 10 | 11036 | 2 | Aluminum Plug |
| 11 | 10022 | 4 | Soc. Hd. Cap Screw (1/4-20 X 1-1/2 Lg.) |

SPECIFICATIONS

Intended for use on a power unit when the control valves are remotely located in the hydraulic circuit. It is subplate mounted on the pump cover plate and provides a pressure and return port. A pressure switch and/or gauge may be attached if required.

PORT SIZES: 3/8" NPTF

MAXIMUM PRESSURE: 10,000 PSI

MAX. RECOMMENDED FLOW: 5 GPM

