

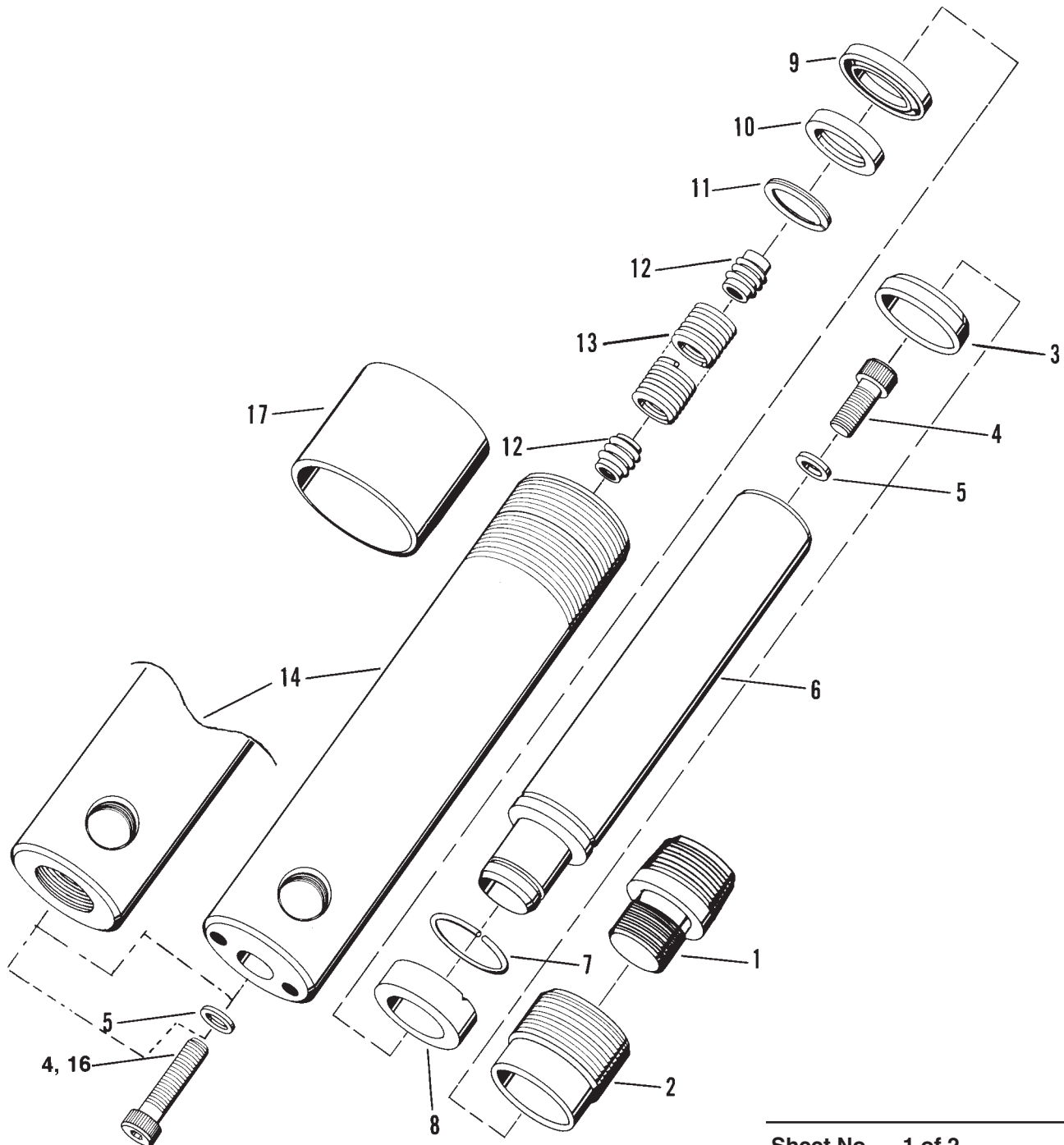
Parts List for:

4104-CMI
4105-CAR
36762
42445

201581-AS
201581-C6
420362

SINGLE-ACTING, SPRING RETURN HYDRAULIC CYLINDER

Max. Capacity: 11.2 Tons at 10,000 PSI



Parts List, Form No. 100372, Back sheet 1 of 2

Item No.	Part No.	No. Req'd	Description
1	204715	1	Thread Adapter (Torque to 100 ft. lb. - For all models except 201581-AS)
	202179	1	Thread Adapter (For 4104-CMI, 4105-CAR, 36762, 42445, & 420362)
2	201366	1	Retainer Nut (Torque to 500/525 in. lbs.)
	201365	1	Retainer Nut (For 36762)
3	†* 201429	1	Rod Wiper
4	10008	2	Soc. Hd. Cap Screw (1/4-20 X 3/4 Lg.; Torque to 90/110 in. lbs. - For 36762)
	10006	1	Soc. Hd. Cap Screw (1/4-20 X 5/8 Lg.; Torque to 90/110 in. lbs. - For 42445, 201581-AS, 201581-C6, 4105-CAR, & 420362)
5	†* 10442	2	Copper Washer
6	36087	1	Piston Rod (For 36762)
	42159	1	Piston Rod (For 42445 & 201581-C6)
	42162	1	Piston Rod (For 201581-AS, 4105-CAR, & 420362)
7	201433	1	Retaining Ring
8	201363	1	Piston Head (For 36762)
	201364	1	Piston Head (Assemble with groove towards shoulder - For 42445, 201581-AS, 201581-C6, 4105-CAR, & 420362)
9	* 16067	1	U-cup Piston Seal
	† 205704	1	U-cup Piston Seal
10	201359	1	Slip Retainer
11	* 16076	1	Retaining Ring
12	201360	2	Spring Retainer
13	201430	1	Extension Spring (For 36762)
	201431	1	Extension Spring (For 201581-C6 & 42445)
	201432	1	Extension Spring (For 201581-AS, 4105-CAR, & 420362)
14	42158	1	Cylinder Body (For 36762)
	42447	1	Cylinder Body (For 42445 & 201581-C6)
	42448	1	Cylinder Body (For 201581-AS, 4105-CAR, & 420362)
16	16064	1	Soc. Hd. Cap Screw (1/4-20 X 3-1/2 Lg.; Torque to 90/110 in. lbs. For 42445, 201581-AS, 201581-C6, 4105-CAR, & 420362)
17	36146	1	Thread Protector - Plastic

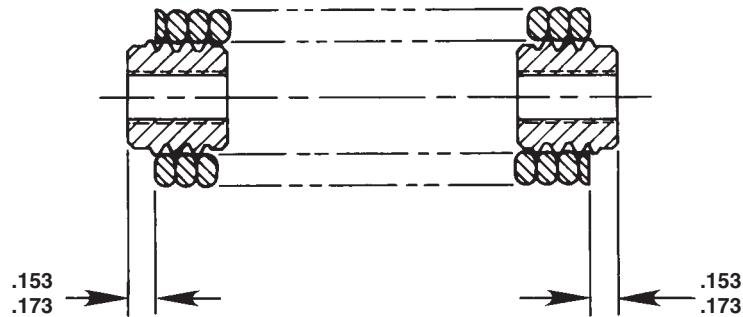
PARTS INCLUDED BUT NOT SHOWN

209250	1	Trade Name Decal (For 36762)
209255	1	Trade Name Decal (For 42445)
420363	1	Full Coverage Decal (For 420362)
9796	1	Ram Half Coupler (Not included on 42445, 4104-CMI, 36762, & 4105-CAR)
* 203908	1	Warning Decal
† 206554	1	U-cup Backup Washer
† 19526	1	O-ring (-210; for coupler)
† 205724	1	Decal (Viton seals)
420537	1	Full Coverage Decal (For 36762)
420538	1	Full Coverage Decal (For 4104-CMI)

Part numbers marked with an asterisk (*) are contained in Standard Repair Kit No. 300116.

Part numbers marked with a dagger (†) are contained in Viton Seal Kit No. 300211.

SPRING & RETAINER ASSEMBLY



Spring must not extend beyond threads of spring retainer on either end. Stretch, clean and lubricate before assembly.

Refer to any operating instructions included with this product for detailed information about operation, testing, disassembly, reassembly, and preventive maintenance.

Items found in this parts list have been carefully tested and selected. **Therefore: Use only genuine Power Team replacement parts!**

Additional questions can be directed to our Technical Services Department.