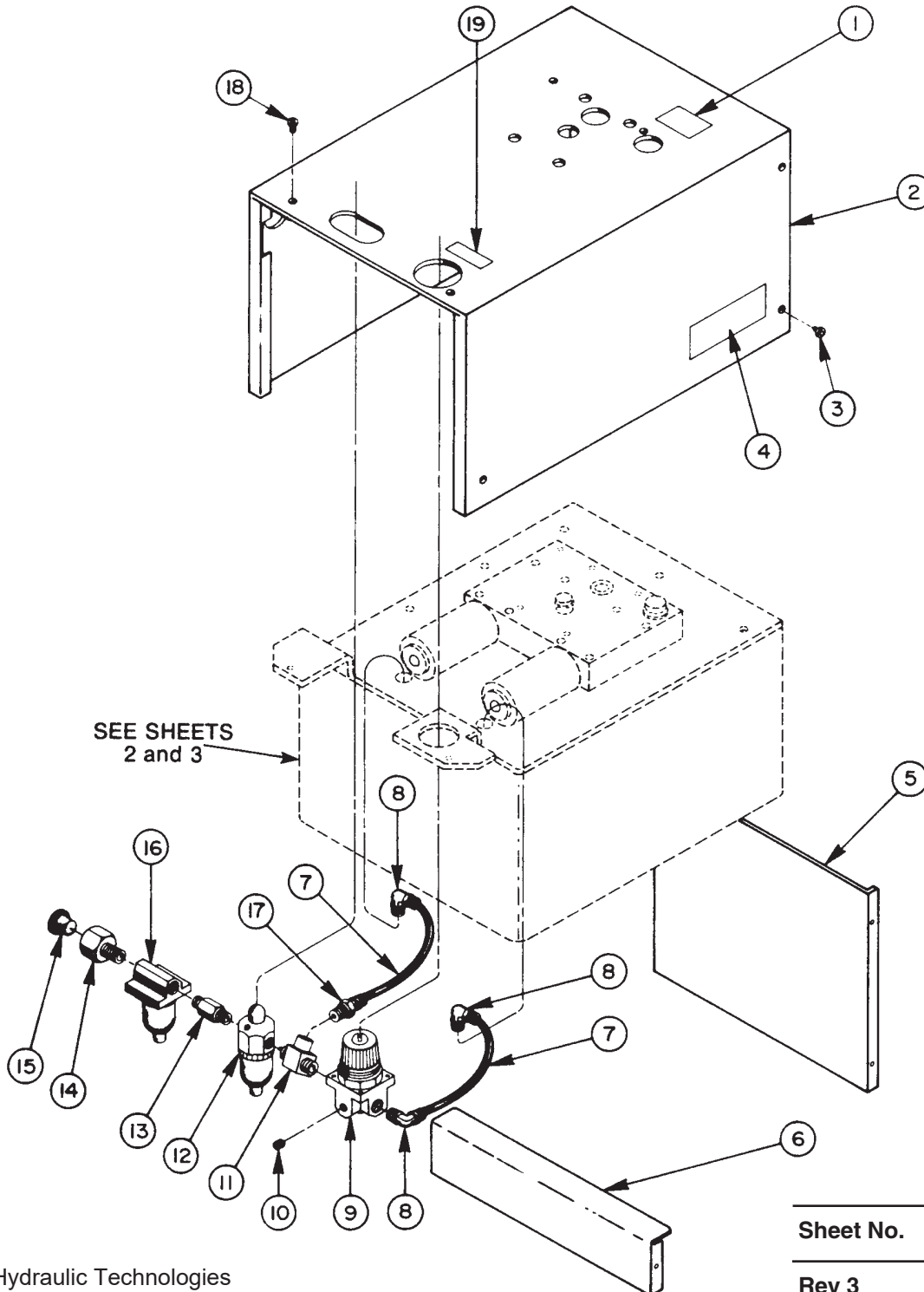


MODEL B
TANDEM --- TWO-STAGE
AIR HYDRAULIC PUMP
 Max. Capacity: 10,300 PSI



Item No.	Part No.	No. Req'd	Description
1	12204	1	Decal (Fill Cap Venting)
2	60338WH2	1	Top Cover
3	14394	6	Self-tapping Screw (#10-24 X 3/8 Lg.)
4	37424	2	Decal (Trade Name)
5	42382OR9	1	Front Panel
6	43481OR9	1	Back Panel
7	14726	2.2 ft.	1/4" Plastic Tubing
8	15457	3	Elbow (1/4 Tube to 1/4 NPTF)
9	16492	1	Mini Air Regulator
10	10427	1	Plug (1/8 NPTF)
11	16495	1	Steel Tee
12	15009	1	Air Lubricator (Replacement bowl only - #206264)
13	16935	1	Hex Pipe Nipple (1/4 Male)
14	16493	1	Brass Adapter Fitting (1/4 Male NPTF to 1/4 Female NPTF)
15	13270	1	Plastic Plug
16	15010	1	Air Filter (Replacement bowl only - #206265)
17	15047	1	Connector Fitting
18	14126	4	Thread Forming Screw (#10-24 X 3/8 Lg.)
19	202076	1	Decal (Increase-Decrease)

PARTS INCLUDED BUT NOT SHOWN

15411 1 Decal (Patent)

OPTIONAL VALVE/MANIFOLD

42690 1 4-way Valve Assembly
(Used on Catalog No. PA64 - See Form No. 100379)

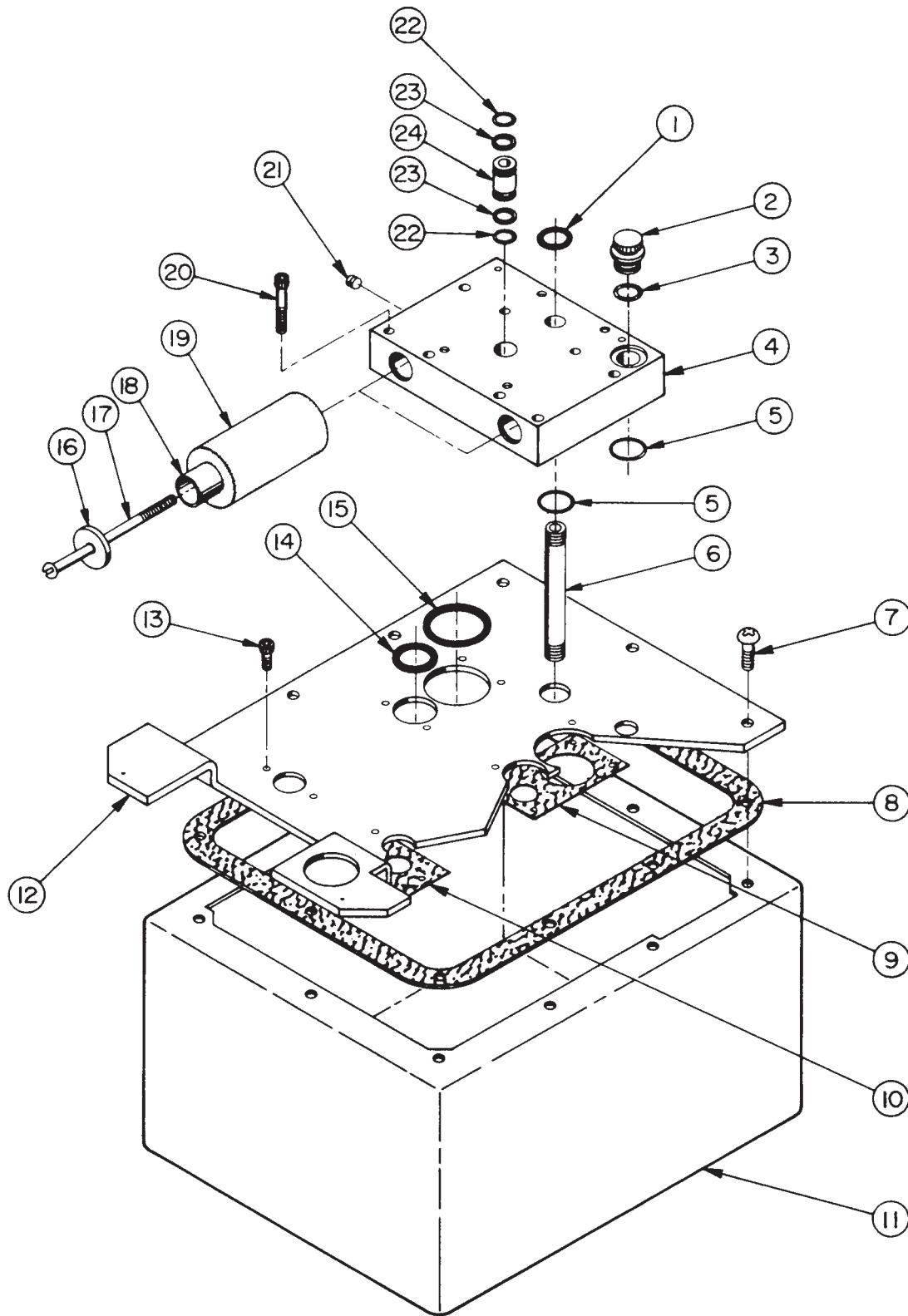
M38 1 Manifold Assembly
(Used on Catalog No. PA60 - See Form No. 100368)

Refer to any operating instructions included with this product for detailed information about operation, testing, disassembly, reassembly, and preventive maintenance.

Items found in this parts list have been carefully tested and selected. **Therefore: Use only genuine Power Team replacement parts!**

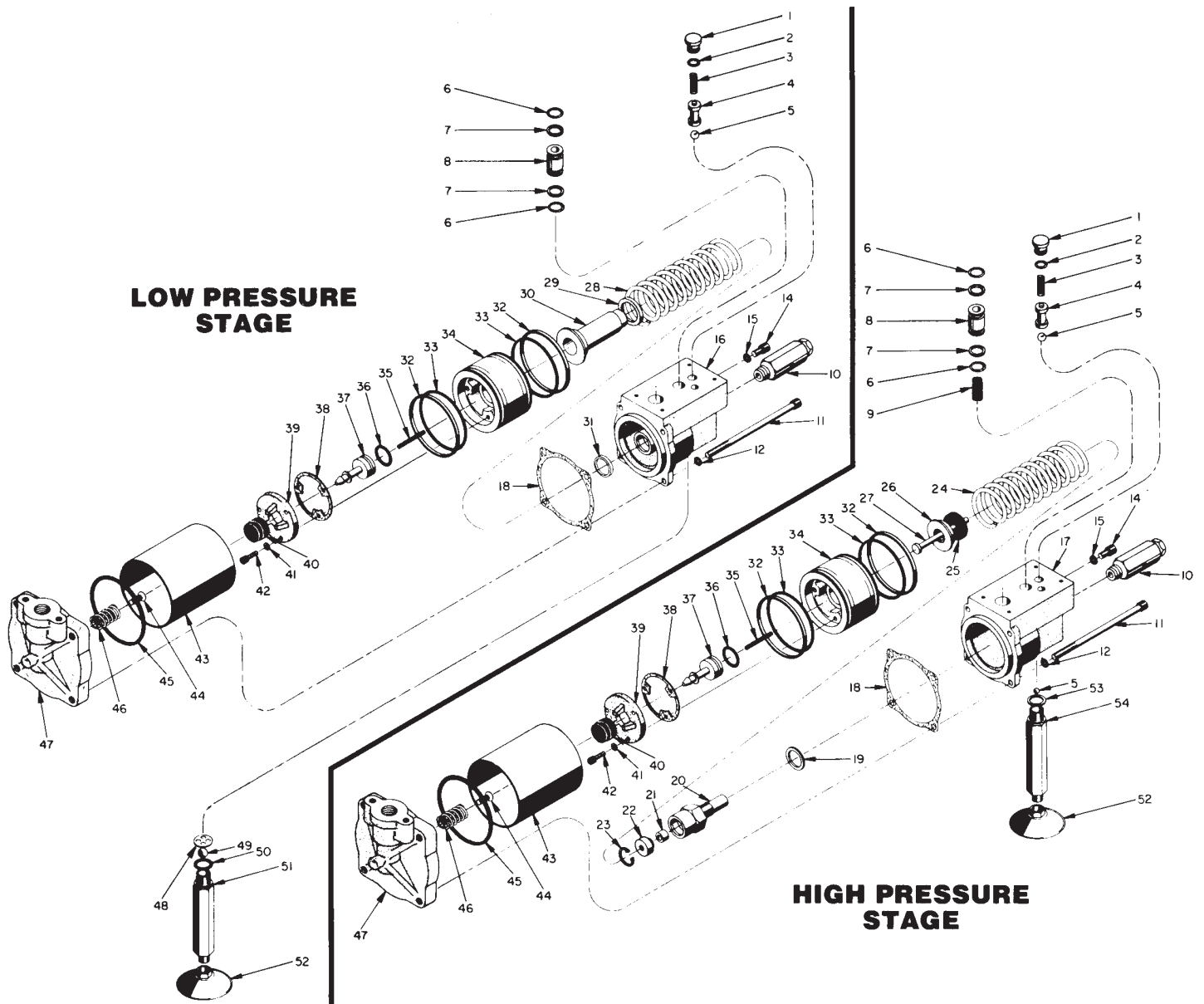
Additional questions can be directed to our Technical Services Department.

BASIC PUMP - ABOVE COVER PLATE



Item No.	Part No.	No. Req'd	Description
1	*10272	1	O-ring (3/4 X 9/16 X 3/32)
2	24132	1	Fill Cap
3	*10300	1	O-ring (.624 X .468 X .078)
4	60336	1	Port Block
5	*12549	2	O-ring (13/16 X 11/16 X 1/16)
6	15426	1	Drain Line
7	10177	10	Ph. Hd. Machine Screw (1/4-20 X 3/4 Lg.)
8	*40164	1	Cover Plate Gasket
9	*34283	2	Gasket
10	*28858	2	Gasket
11	40063OR9	1	Reservoir
12	50903WH2	1	Cover Plate
13	11434	4	Soc. Hd. Cap Screw (#10-24 X 1/2 Lg.)
14	*10276	2	O-ring (1" X 3/4 X 1/8)
15	*10281	2	O-ring (1-1/2" X 1-1/4" X 1/8)
16	16450	2	Steel Washer (1" X .260 X .120 Thk.)
17	16453	2	Slted. Rd. Hd. Screw (#10-24 X 4" Lg.; Apply Loctite 277 or equivalent to external threads.)
18	28387	2	Muffler
19	*29992	2	Foam Tube
20	11151	8	Soc. Hd. Cap Screw (#10-24 X 1-1/4" Lg.)
21	10427	1	Plug (1/8 NPTF)
22	*10268	2	O-ring (1/2 X 3/8 X 1/16)
23	*10311	2	Backup Washer
24	21094	1	Bushing

BASIC PUMP - BELOW COVER PLATE



Parts List, Form No. 100378, Back sheet 3 of 3

Item No.	Part No.	No. Req'd	Description
1	36497	2	Check Valve Body
2	*12522	2	O-ring (3/8 X 1/4 X 1/16)
3	*10445	2	Compression Spring (.164 O.D. X 23/32 Lg.)
4	202568	2	Ball Guide
5	*10423	3	Steel Ball (9/32 dia.)
6	*10268	4	O-ring (1/2 X 3/8 X 1/16)
7	*11863	4	Backup Washer
8	21094	2	Bushing
9	*16448	1	Compression Spring (5/16 O.D. X 13/16 Lg.)
10	21278	2	Relief Valve Assembly (Low pressure stage set at 1600 PSI, High pressure stage set at 10,300 PSI)
11	17428	8	Soc. Hd. Cap Screw (1/4-20 X 4" Lg. -- Torque to 90/100 in. lbs. oiled. NOTE: Cross torque in increments of 50 in. lbs.)
12	15823	8	Lockwasher
14	10002	2	Soc. Hd. Cap Screw (1/4-20 X 3/8 Lg.)
15	*10442	2	Copper Washer (3/8 X 1/4 X 1/32)
16	50916	1	Pump Body
17	50494	1	Pump Body
18	*28979	2	Gasket
19	*10263	1	Copper Washer (1" X 49/64 x 1/32)
20	33847	1	Cylinder (Torque to 90/100 ft. lbs.)
21	*13934	1	U-cup (1/2 X 1/4 X 1/4)
22	28224	1	Retainer
23	*11034	1	Retaining Ring
24	*13938	1	Compression Spring (1-3/16" I.D. X 5" Lg.)
25	*203143	1	Bumper
26	28222	1	Spring Guide
27	28226	1	Pin

Item No.	Part No.	No. Req'd	Description
28	*16584	1	Compression Spring (1-3/16" X 5" Lg.)
29	*202566	1	Bumper
30	202361	1	Piston
31	*16585	1	Packing U-cup
32	*14265	4	Piston Ring
33	*251835	4	O-ring (2-1/2" X 5-5/16" X 3/32; Nitrile)
34	33824	2	Piston Body
35	*12692	2	Spring (3/16 O.D. X 1-1/2" Lg.)
36	*10303	2	O-ring (7/8 X 3/4 X 1/16)
37	33845	2	Exhaust Valve Stem
38	*28239	2	Gasket
39	33822	2	Piston End Plate
40	*28183	2	Piston Poppet
41	10241	6	Lockwasher
42	11434	6	Soc. Hd. Cap Screw (#10-24 Xx 1/2 Lg. -- Torque to 50/55 in. lbs.)
43	37434	2	Air Cylinder (Locate groove on upper half of pump.)
44	*205674	2	Machine Screw
45	*17429	2	Backup Ring
46	*205679	2	Spring
47	37468	2	Rear Head
48	*202347	1	Ball Stop
49	*10379	1	Steel Ball (1/2 dia.)
50	*10653	1	O-ring (15/16 X 3/4 X 3/32)
51	36684	1	Intake Extension (Torque to 35/40 ft. lbs. oiled)
52	29682	2	Filter
53	*10261	1	Copper Washer (3/4 X 19/32 X 1/32)
54	37722	1	Intake Extension (Torque to 35/40 ft. lbs. oiled)

Part numbers marked with an asterisk (*) are contained in Repair Kit No. 300143.