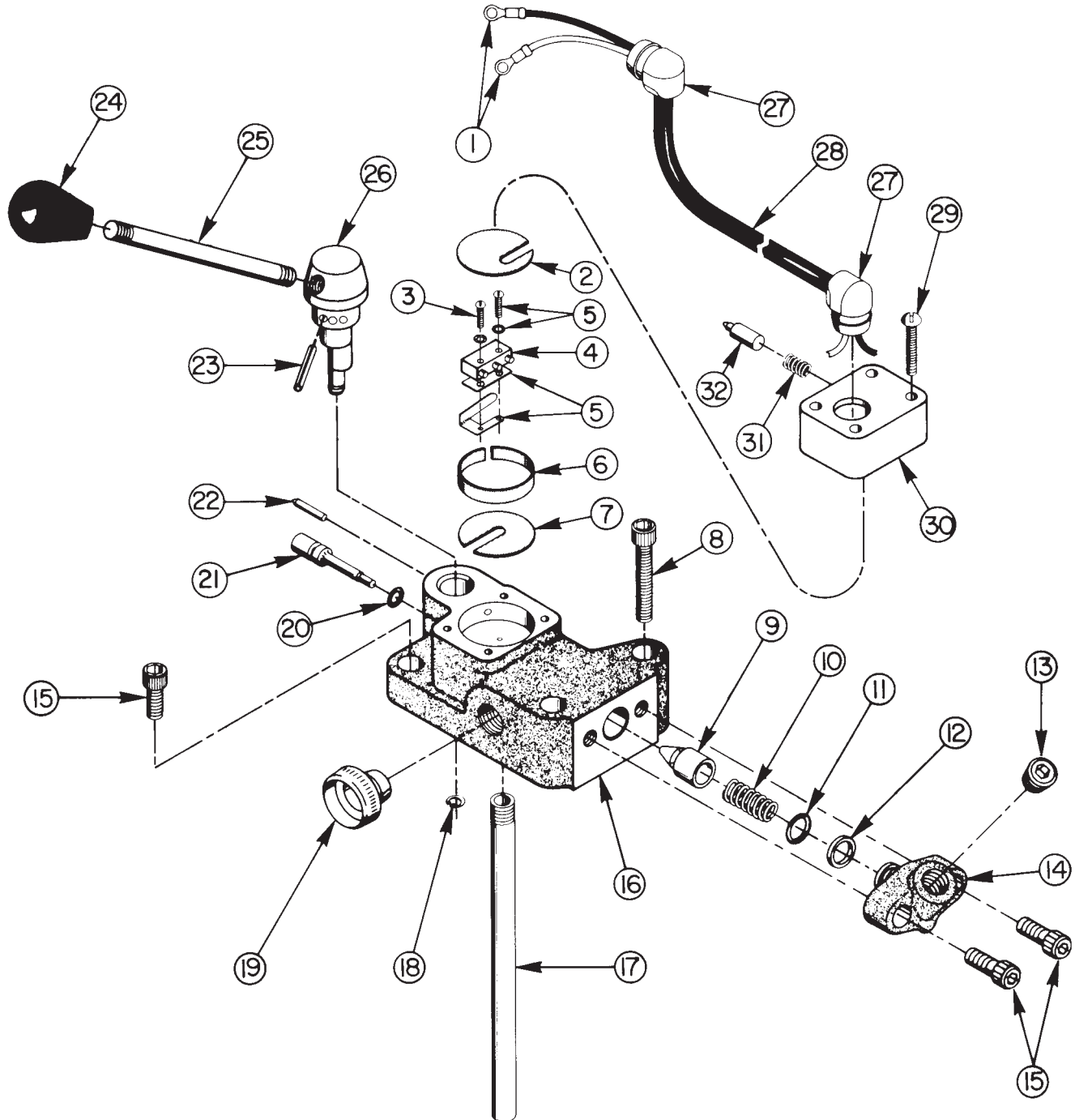


Parts List for:

9583
V33E
Y-30601

SINGLE-ACTING VALVE
THREE POSITION WITH MOTOR CONTROL SWITCH
Max Capacity: 10,000 PSI



Parts List, Form No. 100382, Back sheet 1 of 1

Item No.	Part No.	No. Req'd	Description	Item No.	Part No.	No. Req'd	Description
1	10458	2	Ring Tongue Terminal	16	40138	1	Valve Body
2	203944	1	Insulating Disk (Upper)	17	20847	1	Drain Line
3	10157	2	Mach. Screw (Included with Item 5)	18	*10482	1	Retaining Ring
4	10489	1	Micro Switch	19	11036	1	Aluminum Cap
5	10829	1	Actuator Ass'y (Includes screws [Item 3], washers, gasket & arm)	20	*10265	1	O-ring (5/16 X 3/16 X 1/16, -008)
6	203945	1	Insulating Strip	21	21015	1	Valve Pin
7	203946	1	Insulating Disk (Lower)	22	21375	1	Pin
8	10022	2	Soc. Hd. Cap Screw (1/4-20 UNC X 1-1/2 Lg.)	23	10481	1	Roll Pin
9	20771	1	Poppet	24	211911	1	Knob
10	*10364	1	Comp. Spring (3/8 O.D. X 1" Lg.)	25	21639	1	Stud
11	*10268	1	O-ring (1/2 X 3/8 X 1/16, -012)	26	21374	1	Eccentric Valve Stem
12	*11863	1	Backup Washer (1/2 X 3/8 X 1/16, -012)	27	12176	2	Rt. Angle Strain Relief Bushing
13	10479	1	Pipe Plug (1/4 NPTF)	28	11423	30"	18/2 SJT Cord
14	20866	1	Gauge Fitting	29	10162	4	Machine Screw
15	10006	4	Soc. Hd. Cap Screw (1/4-20 UNC X 5/8 Lg.)	30	22745	1	Cover
				31	*10360	1	Comp. Spring (1/4 O.D. X 5/8 Lg.)
				32	21376	1	Plunger

Part numbers marked with an asterisk (*) are contained in Repair kit No. 300129.

SPECIFICATIONS

A sub-plate mounted, manually-operated, detent positioned, 3-way valve. The valve has "advance", "hold" and "return" positions and is intended for use in circuits employing a single-acting cylinder. An integral motor control switch turns the power unit off when in the "hold" or "return" positions. This permits oil, when valve is in "return" position, to return to the reservoir from the cylinder at a much faster rate than would be possible if the pump were running. A pressure switch and/or gauge can be attached if required.

PORT SIZE: 3/8" NPTF
 MAXIMUM PRESSURE: 10,000 PSI
 MAXIMUM RECOMMENDED FLOW: 5 GPM

VALVE OPERATION

Position "A" - Advance position. Valve is closed and power unit is running. Oil is delivered to the system thru port "A".
 Position "B" - Hold position. Valve is closed and power unit is stopped. Pressure is maintained in the system.
 Position "C" - Return position. Valve is open and power unit is stopped. Pressure is released and oil returns to the reservoir.

