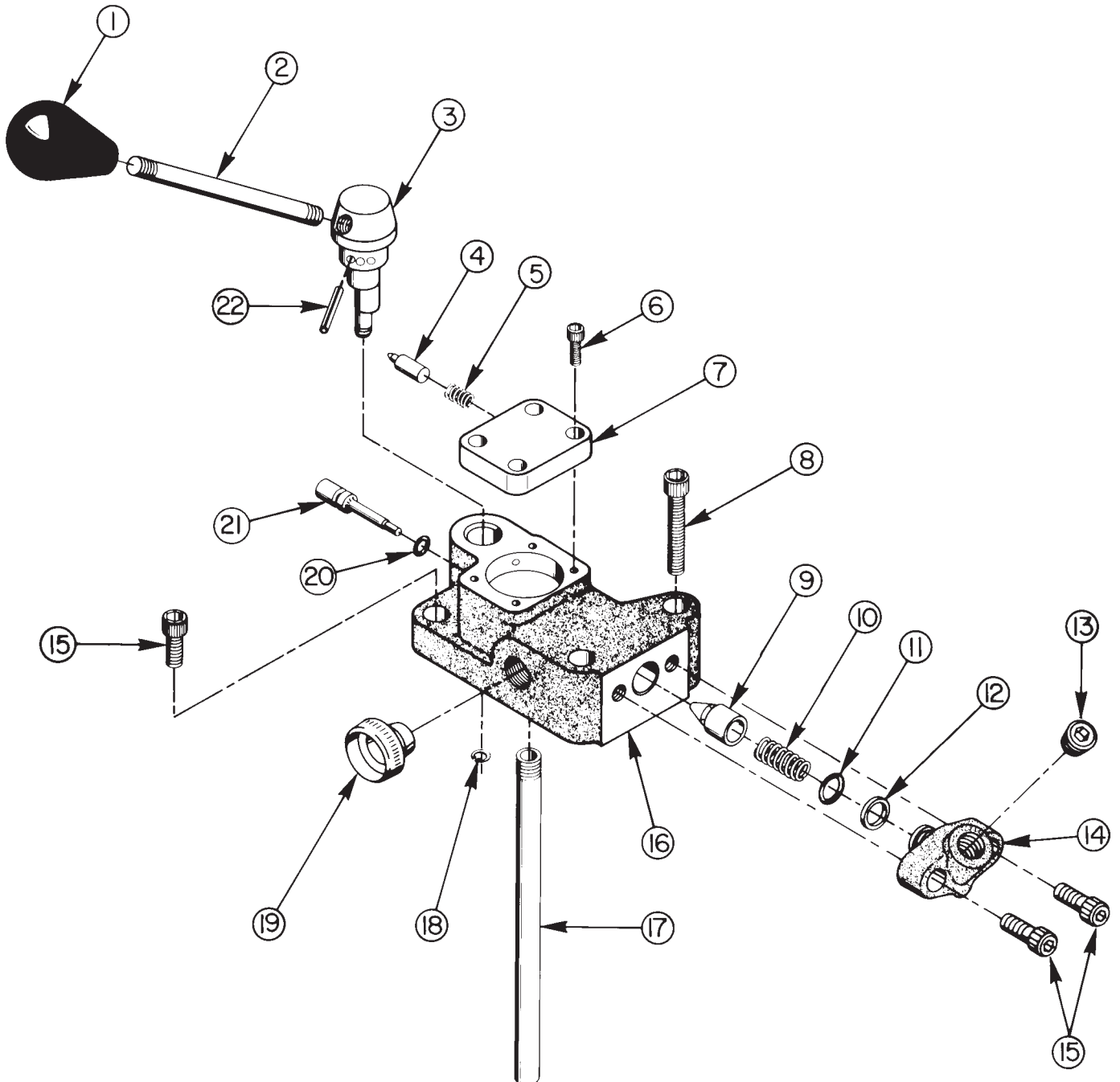


Parts List for:

9582
21832
30384
V23
Y-30384

**SINGLE-ACTING, TWO POSITION
VALVE ASSEMBLY**
Max. Capacity: 10,000 PSI



Item No.	Part No.	No. Req'd	Description
1	211911	1	Knob
2	21639	1	Stud
3	21374	1	Eccentric Valve Stem
4	21376	1	Plunger
5	*10360	1	Spring (1/4 O.D. x 5/8 Lg.)
6	10826	4	Soc. Hd. Cap Screw (#8-32 UNC x 1/2 Lg.)
7	21377	1	Cover
8	10022	2	Soc. Hd. Cap Screw (1/4-20 UNC x 1-1/2 Lg.)
9	20771	1	Poppet
10	*10364	1	Spring (3/8 O.D. x 1" Lg.)
11	*10268	1	O-ring (1/2 x 3/8 x 1/16, -012)
12	*10863	1	Backup Washer (1/2 x 3/8 x 1/16, -012)
13	10479	1	Pipe Plug (1/4 NPTF)
14	20866	1	Gauge Fitting
15	10006	4	Soc. Hd. Cap Screw (1/4-20 UNC x 5/8 Lg.)
16	40138-1	1	Body
17	20847	1	Drain Line
18	*10482	1	Retaining Ring
19	11036	1	Aluminum Ring
20	*10265	1	O-ring (5/16 x 3/16 x 1/16, -008)
21	21015	1	Valve Pin
22	10481	1	Roll Pin (5/32 dia. x 1" Lg.)

Part numbers marked with an asterisk (*) are contained in Repair Kit No. 300129.

SPECIFICATIONS

A sub-plate mounted, manually-operated, detent positioned, 3-way valve. The valve has an "advance" and "return" position and is intended for use in circuits employing a single-acting cylinder. A pressure switch and/or gauge can be attached if required.

PORT SIZES: 3/8" NPTF

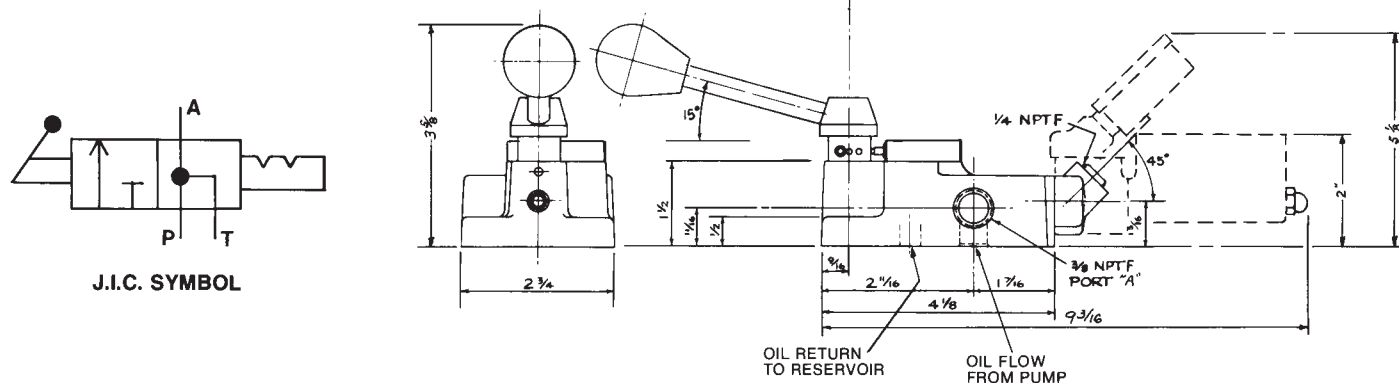
MAXIMUM PRESSURE: 10,000 PSI

MAXIMUM RECOMMENDED FLOW: 5 GPM

VALVE OPERATION

Position "A" - Advance position. Valve is closed and oil is delivered to the system through port "A."

Position "B" - Return position. Valve is open, pressure is released and oil returns to reservoir.



Refer to any operating instructions included with this product for detailed information about operation, testing, disassembly, reassembly, and preventive maintenance.

Items found in this parts list have been carefully tested and selected. **Therefore: Use only genuine replacement parts!**

Additional questions can be directed to our Technical Services Department.