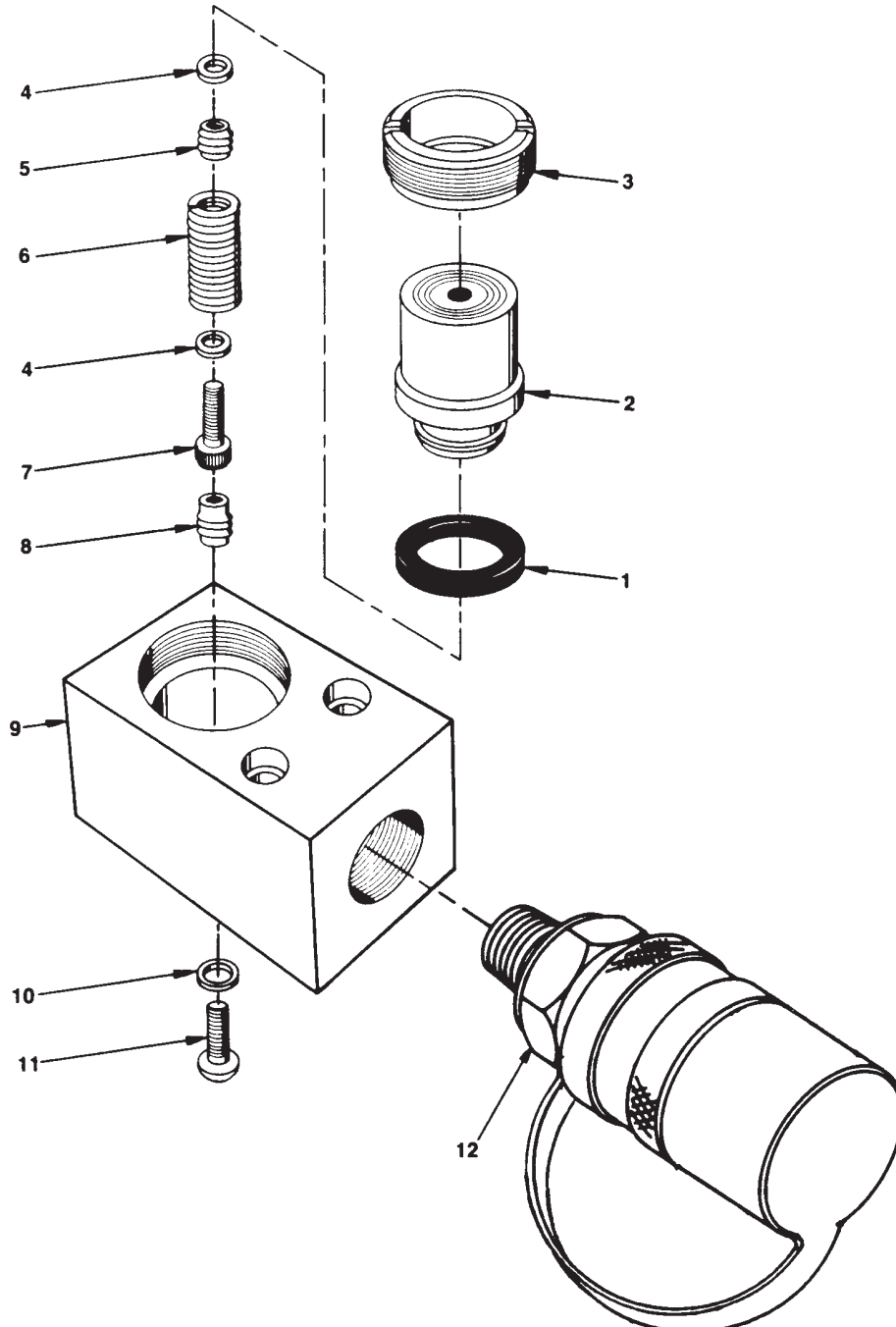


**SINGLE-ACTING, SPRING RETURN
HYDRAULIC CYLINDER**

Max. Capacity: 5 Tons At 10,061 PSI



Parts List, Form No. 100400, Back sheet 1 of 1

Item No.	Part No.	No. Req'd	Description
1	*13426	1	U-cup
	†205703	1	U-cup
2	36121	1	Piston
3	201411	1	Retainer Nut (Torque to 450/500 in. lbs.)
4	*16079	2	Soft Copper Washer (17/64 X 11/64 X 1/32)
5	201410	1	Spring Retainer
6	201419	1	Extension Spring
7	*10826	1	Soc. Hd. Cap Screw (Torque to 35/40 in. lbs.)
8	201372	1	Spring Retainer (See diagram below)
9	36120	1	Ram Body
10	*†14319	2	Copper Washer (5/16 X 3/16 X 1/32)
11	*17924	1	Button Hd. Cap Screw (Torque to 50/60 in. lbs.)
12	9796	1	Ram Half Coupler w/Dust Cap (For RL50)
	210916	1	Ram Half Coupler (For 5RL50S)

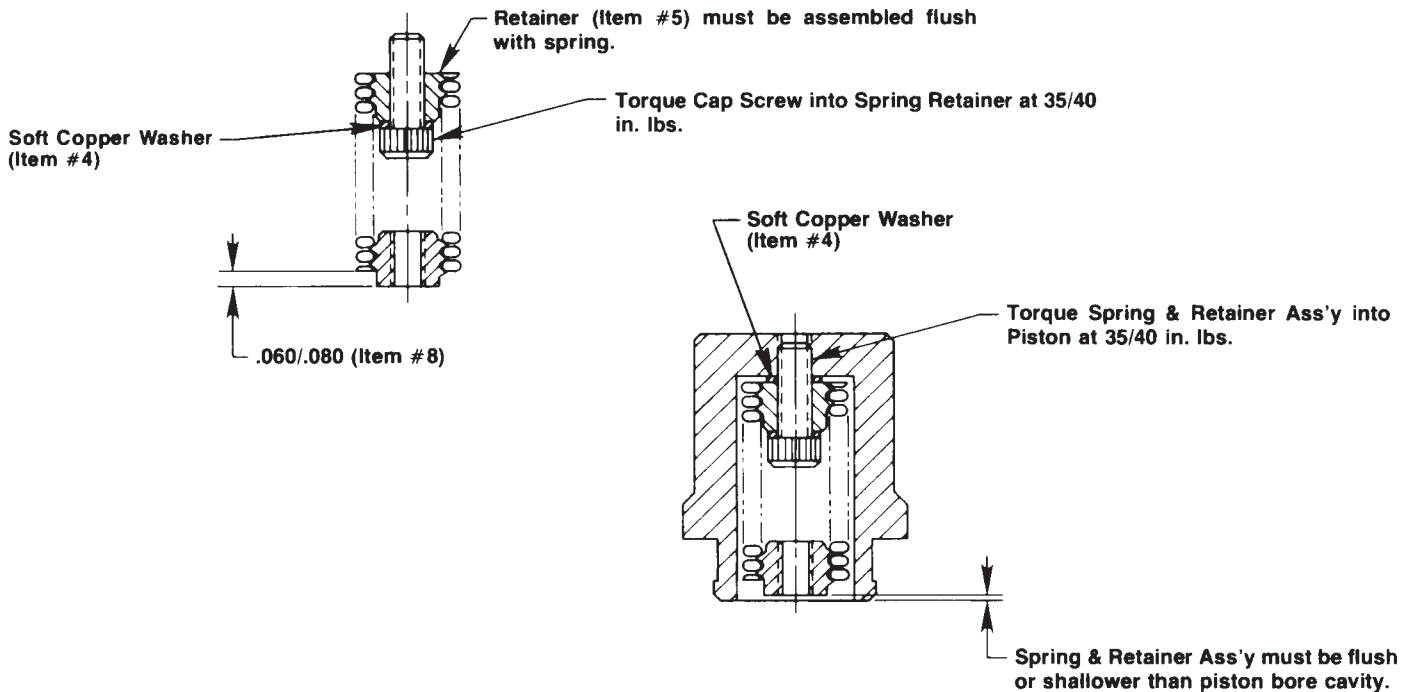
PARTS INCLUDED BUT NOT SHOWN

16100	1	Trade Name Decal (For RL50)
210485	1	Trade Name Decal (For 5RL50S)
*203908	1	Warning Decal
†19526	1	O-ring (1" X 3/4 X 1/8, -210; for coupler)
†205724	1	Decal (Viton)

Part numbers marked with an asterisk (*) are contained in Standard Repair Kit No. 300034.

Part Numbers marked with a dagger (†) are contained in Viton Seal Kit No. 300230.

ASSEMBLY INSTRUCTIONS



Refer to any operating instructions included with this product for detailed information about operation, testing, disassembly, reassembly, and preventive maintenance.

Items found in this parts list have been carefully tested and selected. **Therefore: Use only genuine Power Team replacement parts!**

Additional questions can be directed to our Technical Services Department.