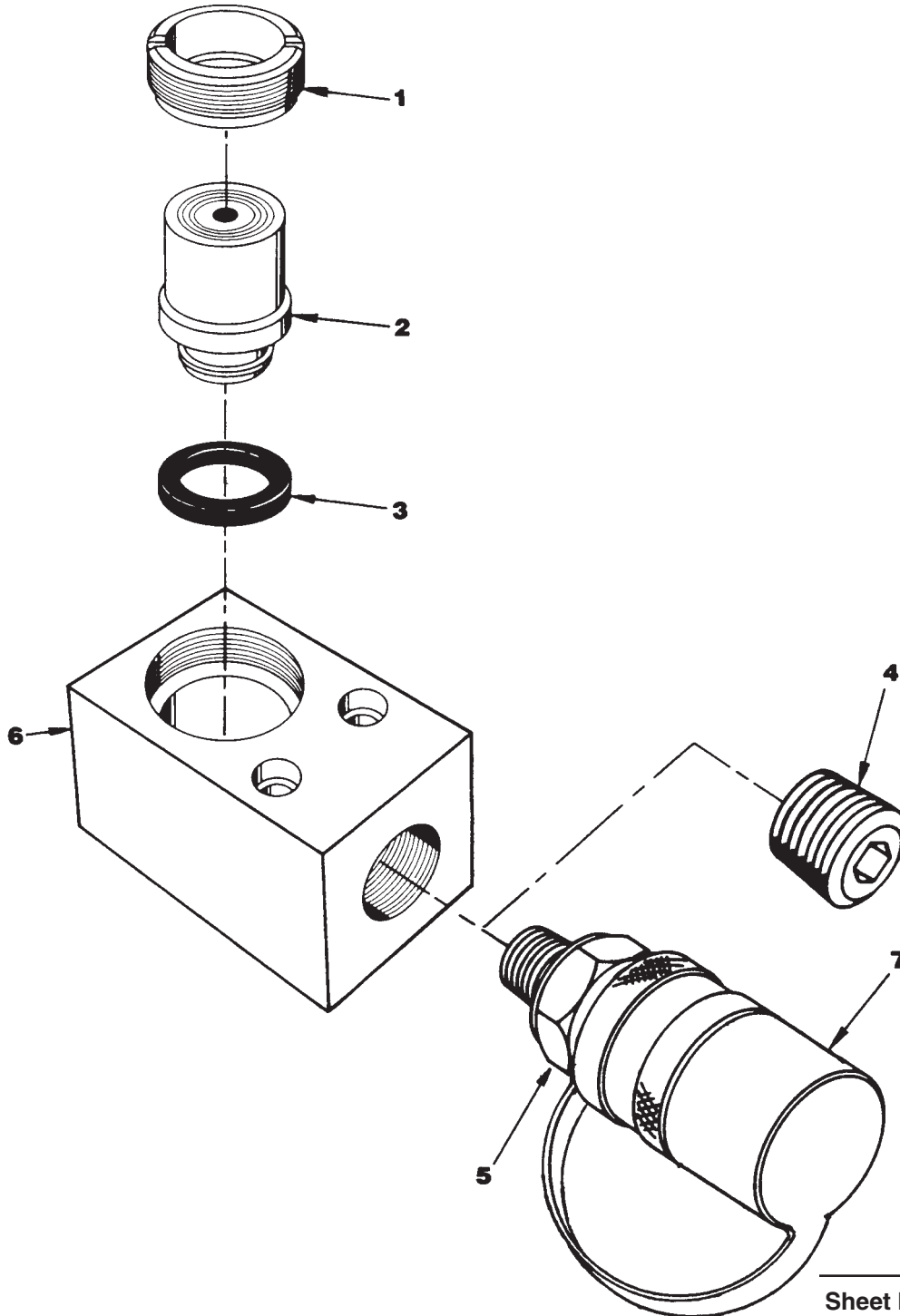


**SINGLE-ACTING, GRAVITY RETURN
HYDRAULIC CYLINDER**

Max. Capacity: 5 Tons At 10,061 PSI



Parts List, Form No. 100401, Back sheet 1 of 1

Item No.	Part No.	No. Req'd	Description
1	26445	1	Retainer Nut (Torque to 450/500 in. lbs.)
2	27391	1	Piston
3	*13426	1	U-cup
4	11127	1	Pipe Plug (For 201337-TID & 37486)
5	25600-1	1	Ram Half Coupler (For YS-102D & 4102)
6	38674	1	Cylinder Body (For 201337-TID)
	33217	1	Dust Cap (For YS-102D, 37486, & 4102)
7	9866	1	Dust Cap (For YS-102D & 4102)

PARTS INCLUDED BUT NOT SHOWN

*203908	1	Warning Decal
203624	1	Trade Name Decal (For YS-102D)
209248	1	Trade Name Decal (For 4102 & 37486)

Part numbers marked with an asterisk (*) are included in Repair Kit No. 300158.

Refer to any operating instructions included with this product for detailed information about operation, testing, disassembly, reassembly, and preventive maintenance.

Items found in this parts list have been carefully tested and selected. **Therefore: Use only genuine replacement parts!**

Additional questions can be directed to our Technical Services Department.