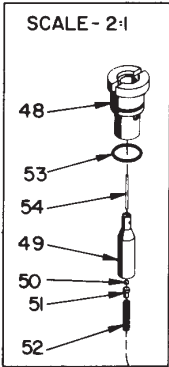
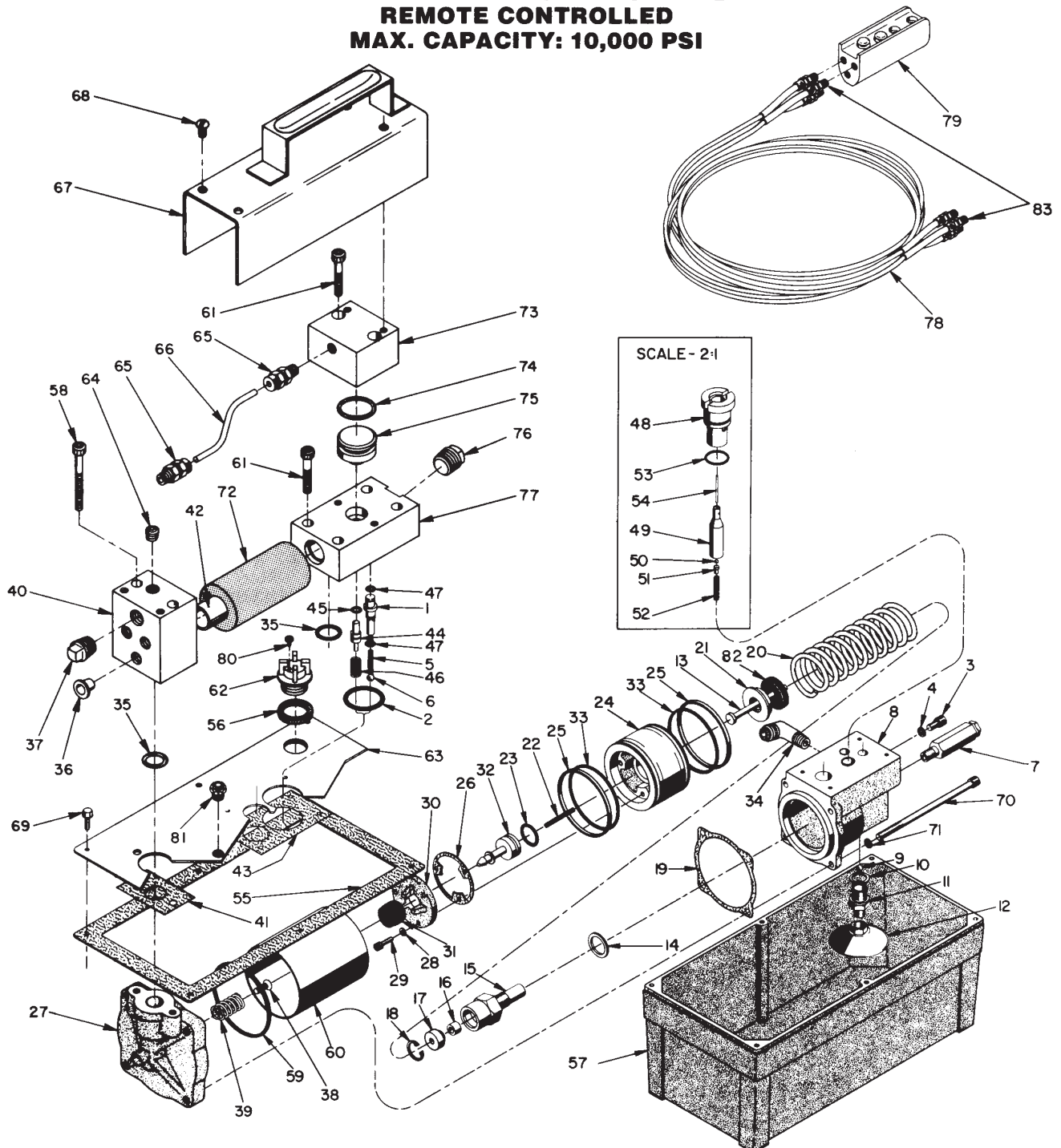


**MODEL "C"**  
**AIR HYDRAULIC PUMP**  
REMOTE CONTROLLED  
MAX. CAPACITY: 10,000 PSI



Item No.	Part No.	No. Req'd	Description
1	34378	1	Check Valve Body
2	10281*	1	"O" Ring
3	10002	1	Cap Screw (1/4-20 X 3/8 Lg.)
4	10442*	1	Copper Washer
5	10445*	1	Comp. Spring
6	10423*	1	Steel Ball
7	21278	1	Relief Valve Ass'y — 10,000 PSI
8	50494	1	Pump Body
9	10375*	1	Steel Ball
10	10261*	1	Copper Washer
11	33848	1	Filter Adapter (Torque to 40/45 ft. lbs. oiled)
12	27680	1	Filter Assembly
13	28226	1	Piston
14	10263*	1	Copper Washer
15	33847	1	Cylinder (Torque to 90/100 ft. lbs. oiled)
16	13934*	1	"U" Cup
17	28224*	1	Retainer
18	11034*	1	Retaining Ring
19	28979*	1	Gasket
20	13938*	1	Comp. Spring
21	28222	1	Spring Guide
22	12692*	1	Spring
23	10303*	1	"O" Ring
24	33824	1	Piston Body
25	14265*	2	Piston Ring
26	28239*	1	Gasket
27	51480	1	Rear Head
28	10241	3	Lockwasher
29	11434	3	Soc. Hd. Cap Screw (#10-24 X 1/2 Lg. [Torque to 50/55 in. lbs.])
30	33822	1	Piston End Plate
31	28183*	1	Piston Poppet
32	33845	1	Exhaust Valve Stem
33	11229*	2	"O" Ring
34	12162	1	Elbow Fitting, 90°
35	10276*	2	"O" Ring
36	15697	3	Plastic Cap
37	13272	1	Plastic Pipe Plug (1/4 NPTF)
38	205674*	1	Cap Screw (Torque to 12/18 in. lbs.)
39	205679*	1	Spring
40	41601	1	Intake Manifold Body
41	28858*	1	Gasket
42	28387	1	Muffler
43	34283*	1	Gasket
44	28227	1	Release Valve Button
45	10266*	1	"O" Ring
46	13944*	1	Comp. Spring
47	12522*	2	"O" Ring
48	34377†	1	Poppet Retainer
49	29037†	1	Release Valve Poppet
50	14443*†	1	Steel Ball
51	28987†	1	Ball Retainer
52	13959*†	1	Comp. Spring
53	13943*†	1	"O" Ring
54	13937*†	1	Dowel Pin

Item No.	Part No.	No. Req'd	Description
55	33853*	1	Reservoir Gasket
56	200415*	1	Rubber Gasket
57	41300-BL2	1	Reservoir (For Y13-REM & 4021)
	41633-OR9	1	Reservoir (For PA4R)
	41300-RE2	1	Reservoir (Y13-REM-HKP)
58	14423	2	Soc. Hd. Cap Screw (10-24 X 2" Lg.)
59	17429*	1	Backup Ring
60	37434	1	Air Cylinder (Locate groove toward top near Cover Plate)
61	11151	6	Soc. Hd. Cap Screw (10-24 X 1 1/4 Lg. [Torque to 50/60 in. lbs.])
62	20937	1	Filler Cap
63	44027-WH2	1	Cover Plate
64	10427	1	Pipe Plug (1/8 NPTF)
65	14279	2	Poly-Flo Tube Fitting
66	14281	.3 Ft.	Tubing
67	41605	1	Shroud
68	10164	4	Rd. Hd. Mach. Screw (10-24 X 3/8 Lg.)
69	14456	6	Screw (Torque to 25/30 in. lbs.)
70	17428	4	Soc. Hd. Cap Screw (1/4-20 X 4" Lg.; Torque to 90/100 in. lbs. oiled — Note: Cross torque in increments of 50 in. lbs.)
71	15823	4	Lockwasher
72	29992*	1	Foam Tube
73	34759	1	Release Valve Body
74	208144*	1	"O" Ring
75	34757	1	Release Piston
76	13273	1	Plastic Pipe Plug (3/8 NPTF)
77	41598	1	Release Valve Body
78	45052	1	Three Strand Hose Ass'y (For 4021, Y13-REM & PA4R)
79	44025	1	Remote Hand Control (For Y13-REM & PA4R; See Form No. 100426)
80	206333	1	Self-Tapping Screw
81	18317	1	Relief Valve Fitting (Torque to 75/85 in. lbs.)
82	203143	1	Bumper
83	208218	6	Straight Fitting

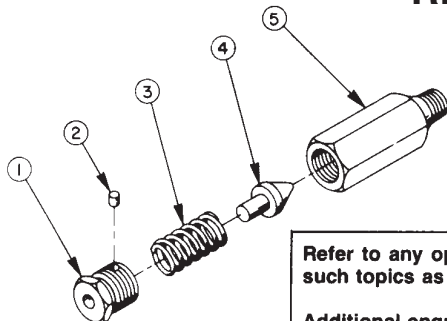
**MISC. DECALS INCLUDED BUT NOT SHOWN**

14350*	1	Decal, Caution
15411*	1	Decal, Patent
206172*	1	Decal, Venting
14119	2	Decal, Trade Name (For Y13-REM)
202151	2	Decal, Trade Name (For PA4R)
304710	2	Decal, Trade Name (For 4021)

NOTE: Part numbers marked with an asterisk (\*) are included in Repair Kit No. 300132.

Part numbers marked with a dagger (†) are included in Release Valve Repair Kit No. 200383.

**RELIEF VALVE ASSEMBLY**



Item No.	Part No.	No. Req'd	Description
1	24471	1	Adjusting Plug
2	24463	1	Insert (Nylock)
3	10428	1	Spring
4	21046	1	Cone
5	21286	1	Valve Body

Refer to any operating instructions that may accompany the product for detailed information concerning such topics as disassembly, testing, operation, preventive maintenance, troubleshooting and reassembly.

Additional enquiries can be directed to the OTC Technical Services staff (507) 451-5860.