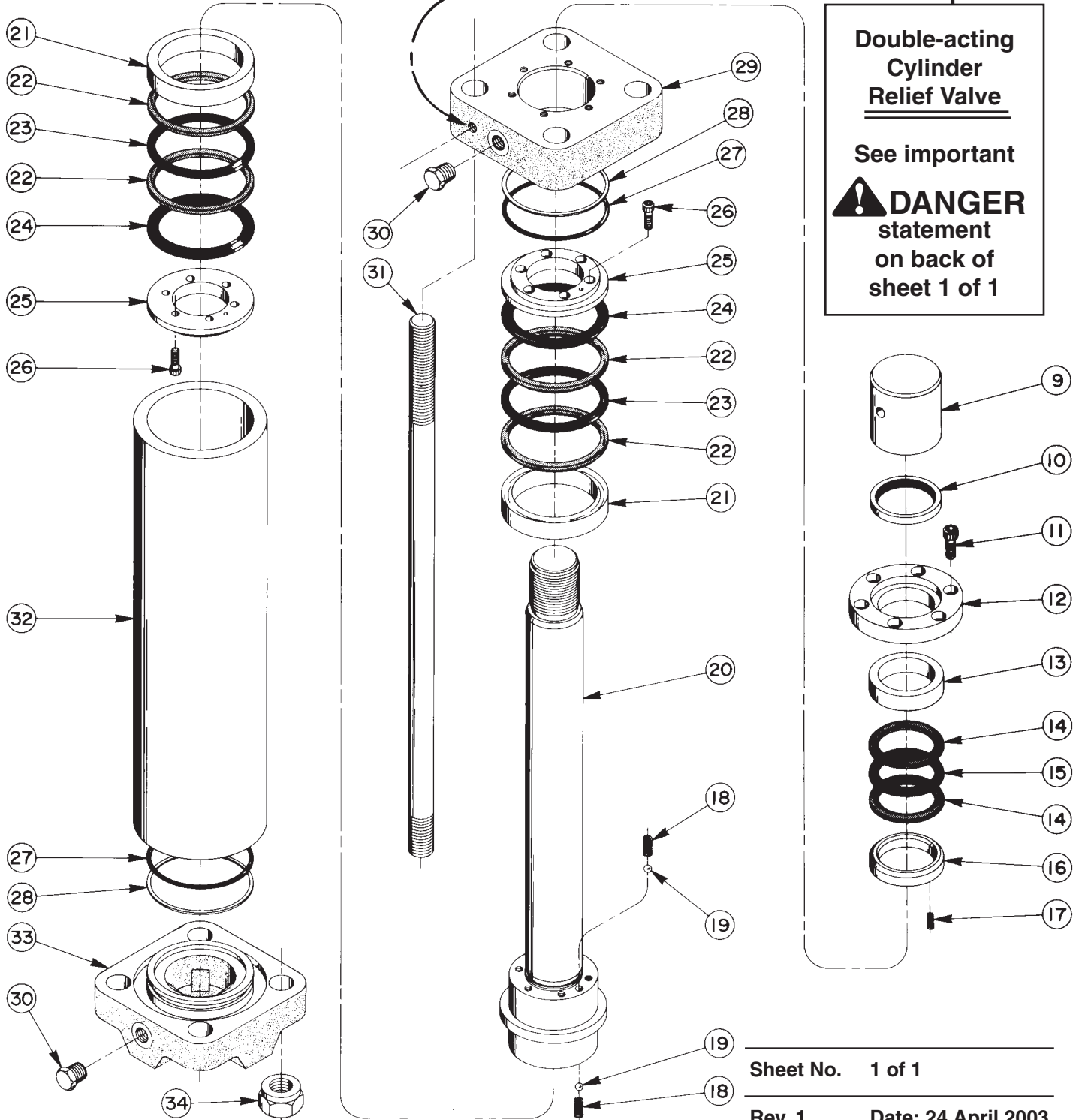


Parts List for:

RD5512  
YD50-12-B2 1/2

**MODEL B**  
**DOUBLE-ACTING**  
**HYDRAULIC CYLINDER**  
Max. Capacity: 55.2 Tons At 10,000 PSI



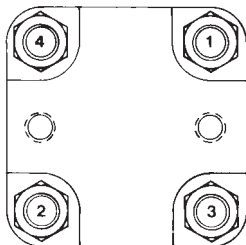
**Double-acting  
Cylinder  
Relief Valve**

See important  
**! DANGER**  
statement  
on back of  
sheet 1 of 1

- ⚠ DANGER:** To help avoid possible serious personal injury or death,
- In the event that the cylinder retract port is ever restricted or plugged, a double-acting cylinder relief valve will prevent excessive pressure from building in the cylinder. **DO NOT attempt to adjust or service this relief valve!** If oil leakage is detected from this relief valve, discontinue use of the cylinder immediately and contact Power Team or OTC Technical Services. Only Power Team or OTC Authorized Service Centers should service this relief valve.

Item No.	Part No.	No. Req'd	Description	Item No.	Part No.	No. Req'd	Description
9	21326	1	Piston Rod cap	25	21321	2	Packing Support Plate
10	*10905	1	Rod Wiper	26	10881	12	Soc. Hd. Cap Screw (1/4-20UNC X 3/4 Lg.)
11	10506	6	Soc. Hd. Cap Screw (5/16-18 UNC X 7/8 Lg.; Torque to 25 ft. lbs.)	27	*10512	2	O-ring
12	21320	1	Packing Support Plate	28	*19167	2	Backup Washer
13	21323	1	Female Adapter	29	51702	1	Cylinder Rod End Cap
14	*10508	2	V-packing	30	14690	2	Pipe Plug (3/8 NPTF)
15	*10547	1	V-packing	31	21329-12-2 1/2	4	Tie Rod
16	21324	1	Male Adapter	32	30592-12	1	Cylinder
17	10358	6	Compression Spring (3/16 O.D. X 9/32 Lg.)	33	40131	1	Cylinder Base Cap
18	11024	2	Compression Spring (1/4 O.D. X 5/8 Lg.)	34	21319	4	Tie Rod Nut (See diagram below)
19	10375	2	Steel Ball (1/4 Dia.)	<b>PARTS INCLUDED BUT NOT SHOWN</b>			
20	30591-12	1	Piston Rod & Head Ass'y	10575	4	Drive Screw (#2 X 3/16 Lg.)	
21	21322	2	Female Adapter	206506	1	Name Plate	
22	*10338	4	V-packing	206736	1	Trade Name Decal (For YD50-12-B2 1/2)	
23	*10523	2	V-packing	203322	1	Trade Name Decal (For RD5512)	
24	*10510	2	Male Adapter Packing	*37782	1	Warning Decal	

Part numbers marked with an (\*) asterisk are contained in Repair Kit No. 300205.



**Torque in 100 ft. lb. increments to 400 ft. lbs. in sequence shown.**

Refer to any operating instructions included with this product for detailed information about operation, testing, disassembly, reassembly, and preventive maintenance.

Items found in this parts list have been carefully tested and selected. **Therefore: Use only genuine replacement parts!**

Additional questions can be directed to our Technical Services Department.