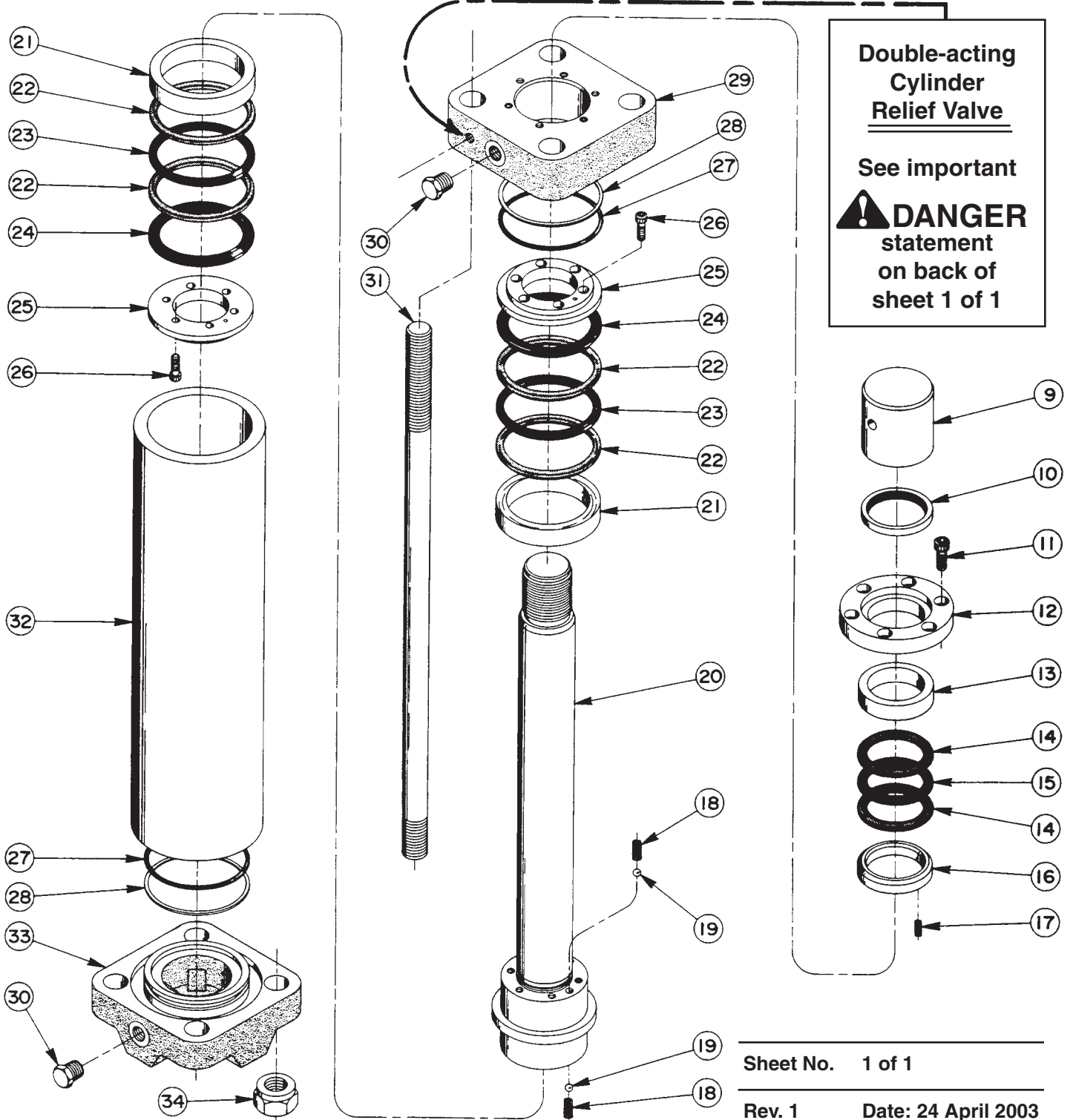


Parts List for:

RD10015
YD100-15 1/2-B3 3/4

**MODEL B
DOUBLE-ACTING
HYDRAULIC CYLINDER**
Max Capacity: 103.1 Tons At 10,000 PSI



**Double-acting
Cylinder
Relief Valve**

See important
! DANGER
statement
on back of
sheet 1 of 1

- ⚠ DANGER:** To help avoid possible serious personal injury or death,
- In the event that the cylinder retract port is ever restricted or plugged, a double-acting relief valve will help prevent excessive pressure from building in the cylinder. **DO NOT** attempt to adjust or service this relief valve! If oil leakage is detected from this relief valve, discontinue use of the cylinder immediately and contact Power Team or OTC Technical Services. **Only** Power Team or OTC Authorized Hydraulic Service Centers should service this relief valve.

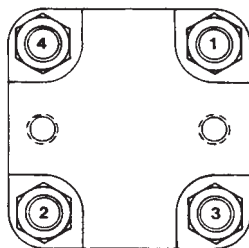
Item No.	Part No.	No. Req'd	Description
9	21405	1	Piston Rod Cap
10	*10907	1	Rod Wiper
11	10885	6	Soc. Hd. Cap Screw (3/8-16UNC X 1-1/4 Lg; Torque to 55 ft. lbs.)
12	30621	1	Packing Support Plate
13	21408	1	Female Adapter
14	*10338	2	V-packing
15	*10523	1	V-packing
16	21406	1	Male Adapter
17	10359	6	Compression Spring (15/64 O.D. X 11/32 Lg.)
18	11024	2	Compression Spring (1/4 O.D. X 5/8 Lg.)
19	10375	2	Steel Ball (1/4 Dia.)
20	30624-15 1/2	1	Piston Rod & Head Ass'y
21	21410	2	Female Adapter
22	*10339	4	V-packing
23	*12596	2	V-packing
24	*10888	2	Male Adapter Packing
25	21407	2	Packing Support Plate

Item No.	Part No.	No. Req'd	Description
26	10506	12	Soc. Hd. Cap Screw (5/16-18 UNC X 7/8 Lg.)
27	*10886	2	O-ring (5-1/8 X 4-7/8 X 1/8, -249)
28	*19174	2	Backup Washer
29	60858	1	Cylinder Rod End Cap
30	14690	2	Pipe Plug (3/8 NPTF)
31	21403-15 1/2-3 3/4	4	Tie Rod
32	30622-15 1/2	1	Cylinder
33	50055	1	Cylinder Base Cap
34	21411	4	Tie Rod Nut (See diagram below)

PARTS INCLUDED BUT NOT SHOWN

10575	4	Drive Screw (#2 X 3/16 Lg.)
206506	1	Name Plate
206819	1	Trade Name Decal (For YD100-15 1/2-B3 3/4)
203324	1	Trade Name Decal (For RD10015)
*37782	1	Warning Decal

Part numbers marked with an (*) asterisk are contained in Repair Kit No. 300206.



Torque in 190 ft. lb. increments to 950 ft. lbs. in sequence shown.

Refer to any operating instructions included with this product for detailed information about operation, testing, disassembly, reassembly, and preventive maintenance.

Items found in this parts list have been carefully tested and selected. **Therefore: Use only genuine replacement parts!**

Additional questions can be directed to our Technical Services Department.