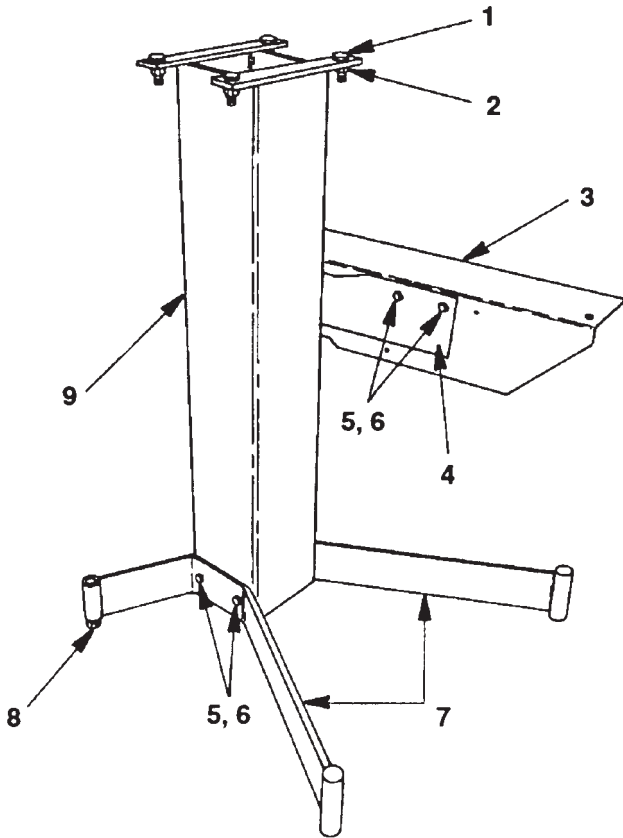


## PRESS PEDESTAL



Item No.	Part No.	No. Req'd	Description
1	10080	4	Cap Screw (1/2-13 UNC X 1-1/4" Lg.)
2	15013	4	Locknut (1/2-13 UNC)
3	42733WH2	1	Pump Mounting Bracket
4	44295	1	Bracket
5	10049	8	Cap Screw (3/8-16 UNC X 1" Lg.)
6	12013	8	Locknut (3/8-16 UNC)
7	51748	2	Leg Weldment
8	206749	2	Leveling Screw
9	51749	1	Tube Weldment
	12004	4	Washer (For 1/2 bolt; use as needed)

Refer to any operating instructions included with this product for detailed information about operation, testing, disassembly, reassembly, and preventive maintenance.

Items found in this parts list have been carefully tested and selected. **Therefore: Use only genuine replacement parts!**

Additional questions can be directed to our Technical Services Department.