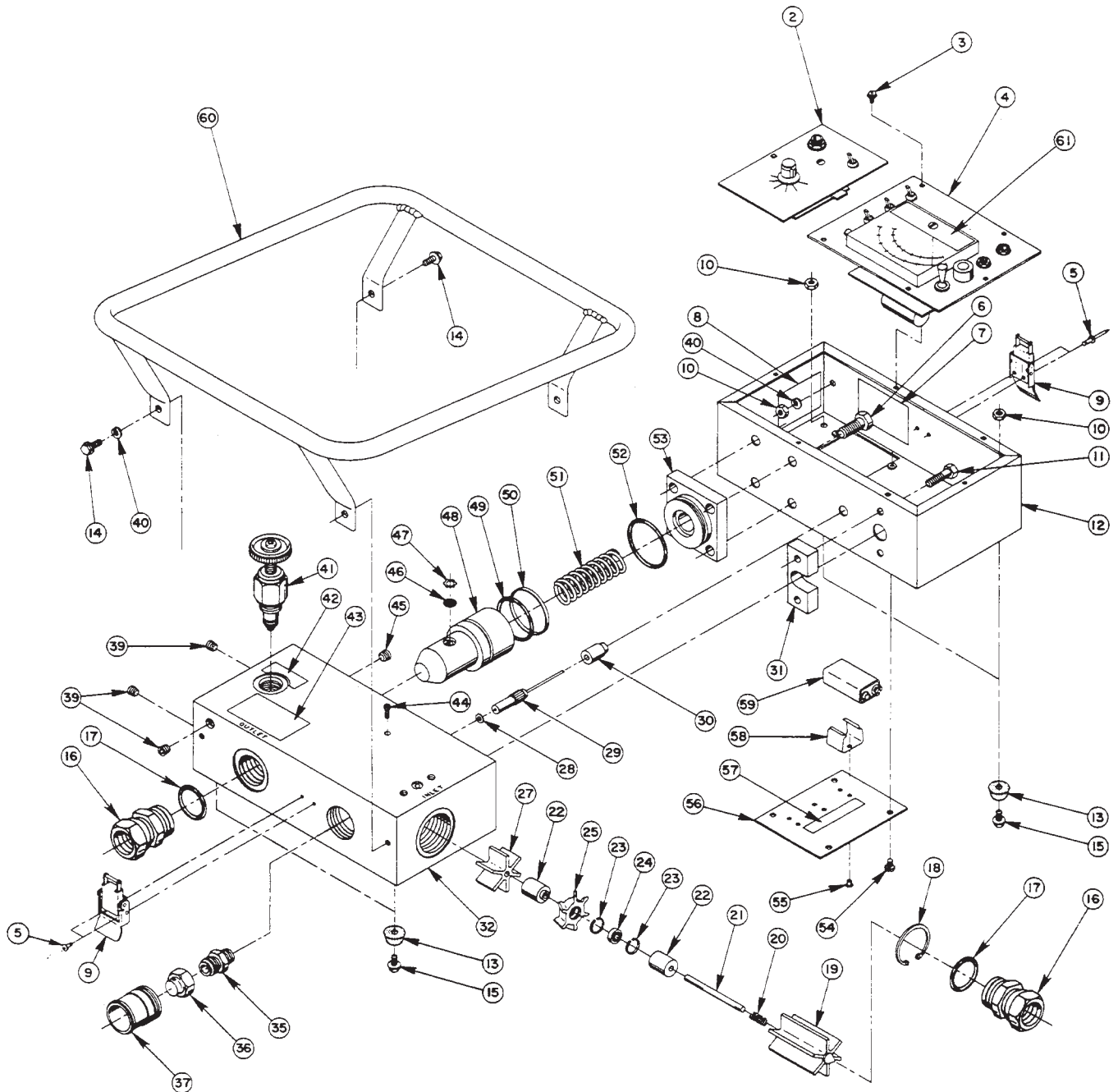


IN-LINE HYDRAULIC FLOW TESTER

75 GPM, 300 l/min.

BASIC ASSEMBLY



Parts List, Form No. 100475, Back sheet 1 of 3

Item No.	Part No.	No. Req'd	Description	Item No.	Part No.	No. Req'd	Description
2	37527	1	Tachometer Panel Ass'y (See back sheet 3 of 3)	30	202128	1	Guide Spacer
3	16972	6	Self-Tapping Screw (#4-24 X 1/4 Lg.)	31	202533	1	Spacer
4	42822	1	Meter Panel (See Sheet 3 of 3)	32	60363	1	Flow Block
5	16417	4	Pop Rivet	35	21837	1	Nipple
6	16206	4	Hex Hd. Cap Screw (Torque to 15/20 ft. lbs.; 5/16-18 X 7/8 Lg.)	36	*16230	1	Rupture Disc (Torque to 25/32 ft. lbs.)
7	203872	1	Calibration Decal	37	202534	1	Hose Connector
8	*16595	1	Recording Decal	39	251222	3	Pipe Plug (1/16 NPTF)
9	16416	2	Catch	40	10241	4	Lockwasher (For #10 bolt)
10	10197	4	Hex Nut (#10-24 UNC)	41	16882	1	Cartridge Relief Valve (See back sheet 2 of 3)
11	10009	2	Hex Hd. Cap Screw (1/4-20 UNC X 3/4" Lg.; Torque to 80/85 in. lbs.)	42	*202076	1	Decal (Increase/Decrease)
12	51087BK2	1	Electronic Box	43	16678	1	Warning Decal
13	16429	4	Recessed Bumper	44	17458	1	Soc. Hd. Cap Screw (Torque to 4/6 in. lbs.; #4-40 X 3/8 Lg.)
14	16467	4	Hex Hd. Cap Screw (#10-24 X 1/2 Lg.)	45	15499	1	Pipe Plug (1/8 NPTF)
15	15415	4	Hex Hd. Cap Screw (#10-24 X 3/8 Lg.)	46	207166	1	Filter Disk
16	12709	2	Union Adapter	47	11893	1	Retaining Ring (For 7/16 hole)
17	*12745	2	O-ring (1-5/32 X .924 X .116, -912)	48	36797	1	Poppet Filter Assembly (Includes Items 46 & 47)
18	16686	1	Retaining Ring (For 7/8 shaft)	49	*16684	1	O-ring (1-3/16 X 1" X 3/32, -120)
19	36801	1	Flow Straightener (Long)	50	*16683	1	Glyd Ring
20	16462	1	Compression Spring (1/4 O.D. X 3/8 Lg.)	51	16970	1	Compression Spring (3/4 O.D. X 1-7/8 Lg.)
21	16728	1	Locating Pin	52	*16685	1	Disogrin O-ring (1-3/8 X 1-1/4 X 1/16, -026)
22	202532	2	Spacer	53	36798	1	End Cap
23	16687	2	Retaining Ring (For 3/8 shaft)	54	17486	4	Machine Screw (#6-32 X 3/16 Lg.)
24	16688	1	Ball Bearing	55	16422	6	Wide Roll Eyelet
25	202619	1	Turbine Rotor	56	37494BK2	1	Battery Panel
27	36802	1	Flow Straightener (Short)	57	16594	1	Battery Ident. Decal
28	†16971	1	Nylon Washer (.040 thk.; Used on all testers before 4-1-82)	58	16421	3	Battery Holder
	††207339	1	Nylon Washer (.020 thk; Used on all testers after 4-1-82)	59	16543	3	Battery (9 Volt)
29	†16479	1	Magnetic Pickup (Used on all testers before 4-1-82)	60	50960BK2	1	Wrap Around Bar Ass'y
	††302827	1	Magnetic Pickup (Used on all testers after 4-1-82)	61	203642	1	Decal

PARTS INCLUDED BUT NOT SHOWN

60424	1	Complete Basic Tester (Consists of Items 2-61)
251772	1	Decal

Part numbers marked with an asterisk (*) are contained in Repair Kit #300311.

†Must be ordered at a set.

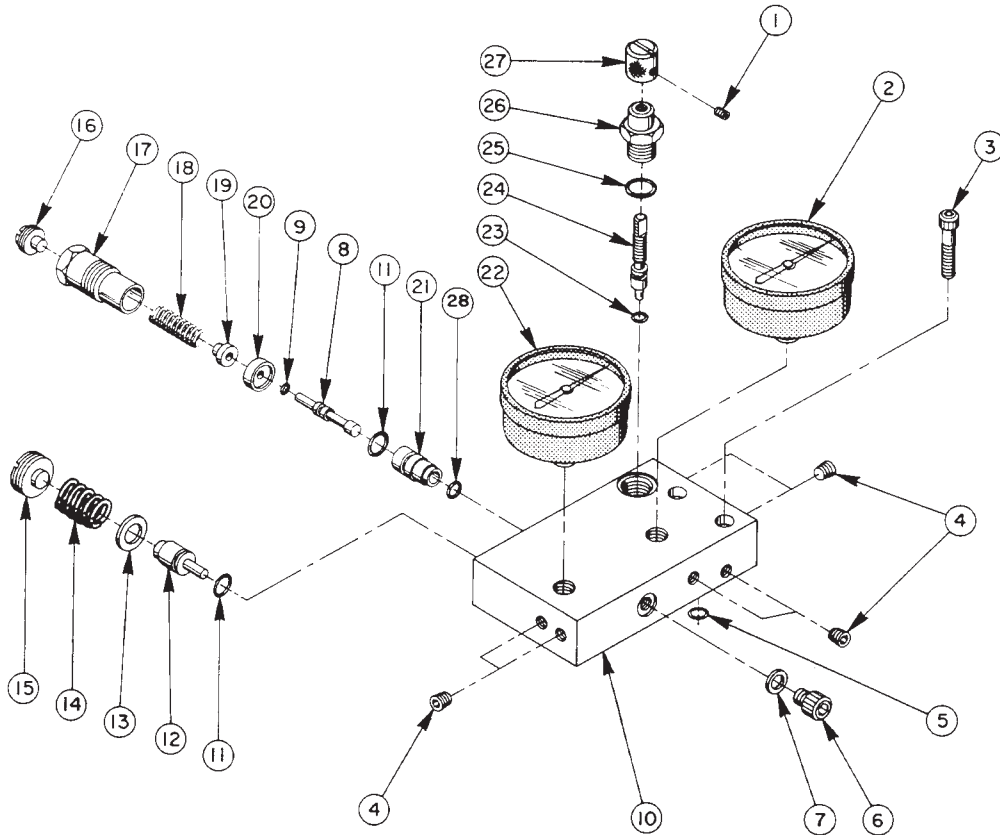
††Must be ordered as a set.

Refer to any operating instructions included with this product for detailed information about operation, testing, disassembly, reassembly, and preventive maintenance.

Items found in this parts list have been carefully tested and selected. **Therefore: Use only genuine replacement parts!**

Additional questions can be directed to our Technical Services Department.

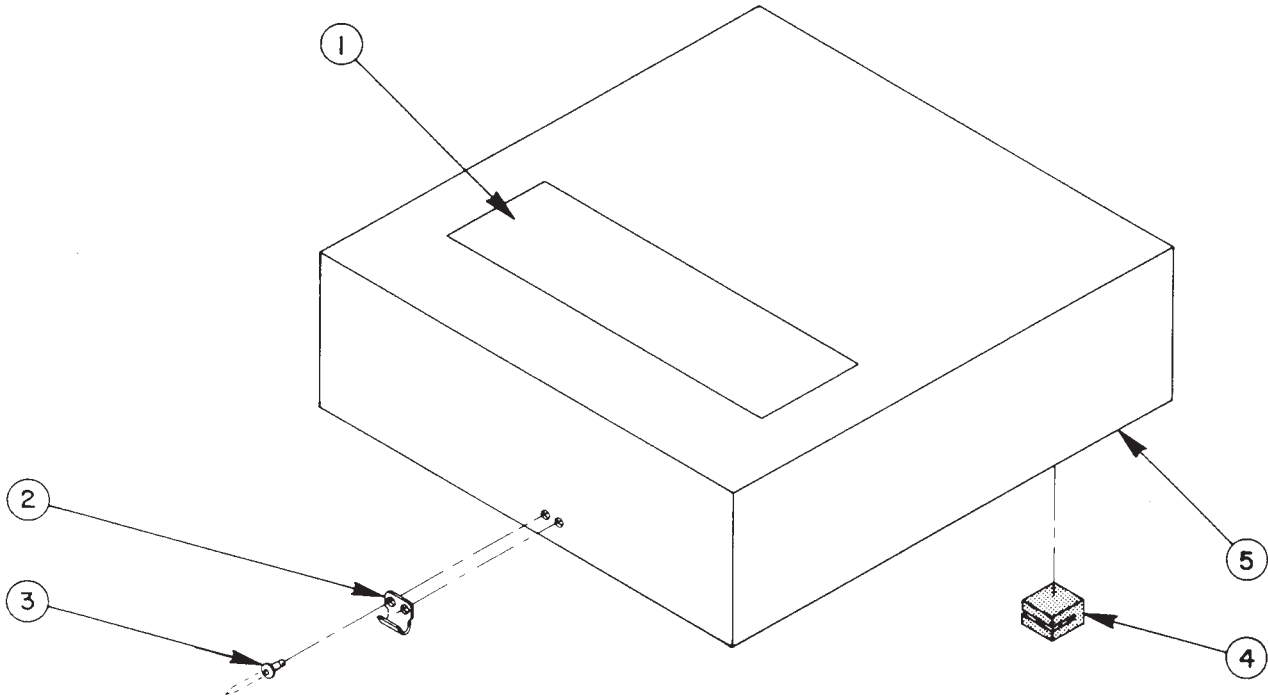
DUAL PRESSURE GAUGE ASSEMBLY



Item No.	Part No.	No. Req'd	Description	Item No.	Part No.	No. Req'd	Description
1	10132	1	Set Screw (#8-32 UNC X 1/4)	16	27850	1	Adjusting Screw
2	11637	1	High Pressure Gauge	17	33414	1	Spring Retainer
	17967	1	Liquid-filled Gauge (0-6000 PSI; optional)	18	13165	1	Compression Spring (3/8 O.D. X 1-1/2 Lg.)
3	10020	2	Soc. Hd. Cap Screw (1/4-20 UNC X 1-1/4 Lg.)	19	27805	1	Spring Button
4	11084	6	Pipe Plug (1/16 NPTF)	20	27806	1	Guide Collar
5	*10266	1	O-ring (3/8 X 1/4 X 1/16, -010)	21	27783	1	Guide
6	25683	1	Special Cap Screw	22	11636	1	Low Pressure Gauge
7	*11031	1	Copper Washer (15/32 X 5/16 X 1/32)		17966	1	Liquid-filled Gauge (0-600 PSI; optional)
8	27786	1	Spool (See Form #102461 for correct installation)	23	*10265	1	O-ring (5/16 X 3/16 X 1/16, -008)
9	*10264	1	O-ring (1/4 X 1/8 X 1/16, -006)	24	200686	1	Stem
10	50445	1	Dual Gauge Block	25	*10300	1	O-ring (5/8 X 15/32 X 5/64, -906)
11	*10268	2	O-ring (1/2 X 3/8 X 1/16, -012)	26	33415	1	Guide
12	200021	1	Plunger (See Form #102461 for correct installation)	27	200685	1	Knob
13	14968	1	Washer (3/4 X 25/64 X 1/16)	28	*12522	1	O-ring (3/8 X 1/4 X 1/16, -010)
14	14979	1	Compression Spring (3/4 O.D. X 1" Lg.)		33422	1	Dual Gauge (Consists of Items 1-28)
15	200020	1	Plug				

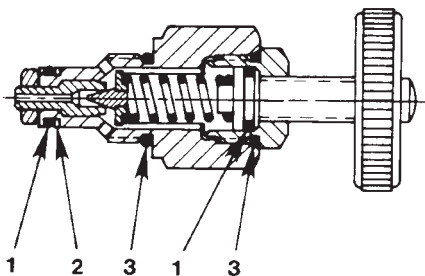
Part numbers marked with an asterisk (*) are contained in Repair Kit #300311.

COVER ASSEMBLY



Item No.	Part No.	No. Req'd	Description
1	38329	1	Trade Name Decal (HT75P)
	304669	1	Trade Name Decal (4222)
2	16979	2	Catch
3	16417	4	Pop Rivet
4	16420	1	Channel Grommet
5	60365	1	Cover (Unpainted)
	60426OR9	1	Cover Assembly (For HT75P; consists of Items 1-5)
	60426BL2	1	Cover Assembly (For 4222; consists of Items 1-5)

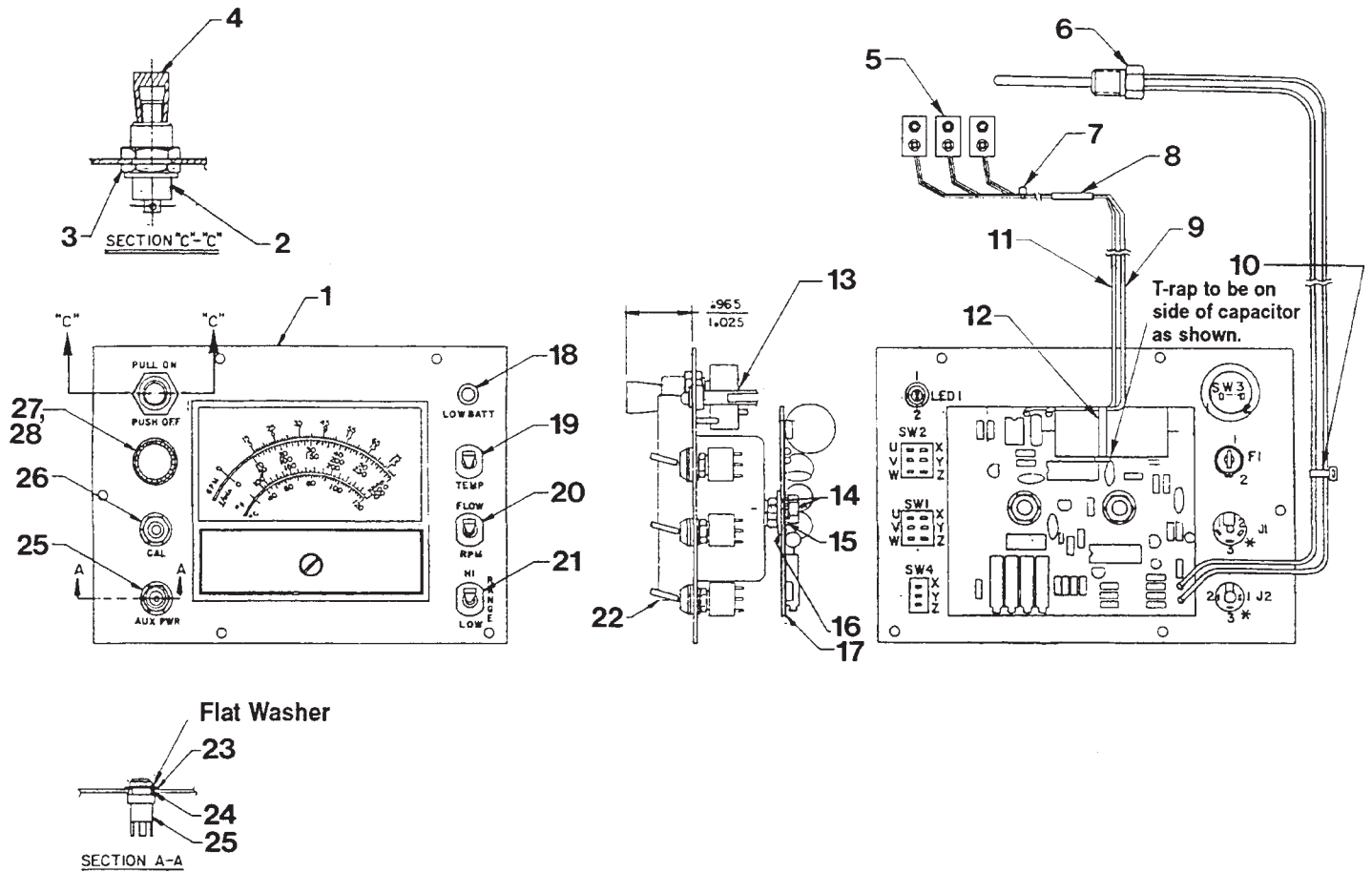
CARTRIDGE RELIEF VALVE ASSEMBLY



Item No.	Part No.	No. Req'd	Description
1	*10268	2	O-ring (1/2 X 3/8 X 1/16, -012)
2	*11863	1	Backup Washer (1/2 X 3/8 X 1/16, -012)
3	*10527	2	O-ring (13/16 X .644 X .087, -908)

Part numbers marked with an asterisk (*) are contained in Repair Kit #300311.

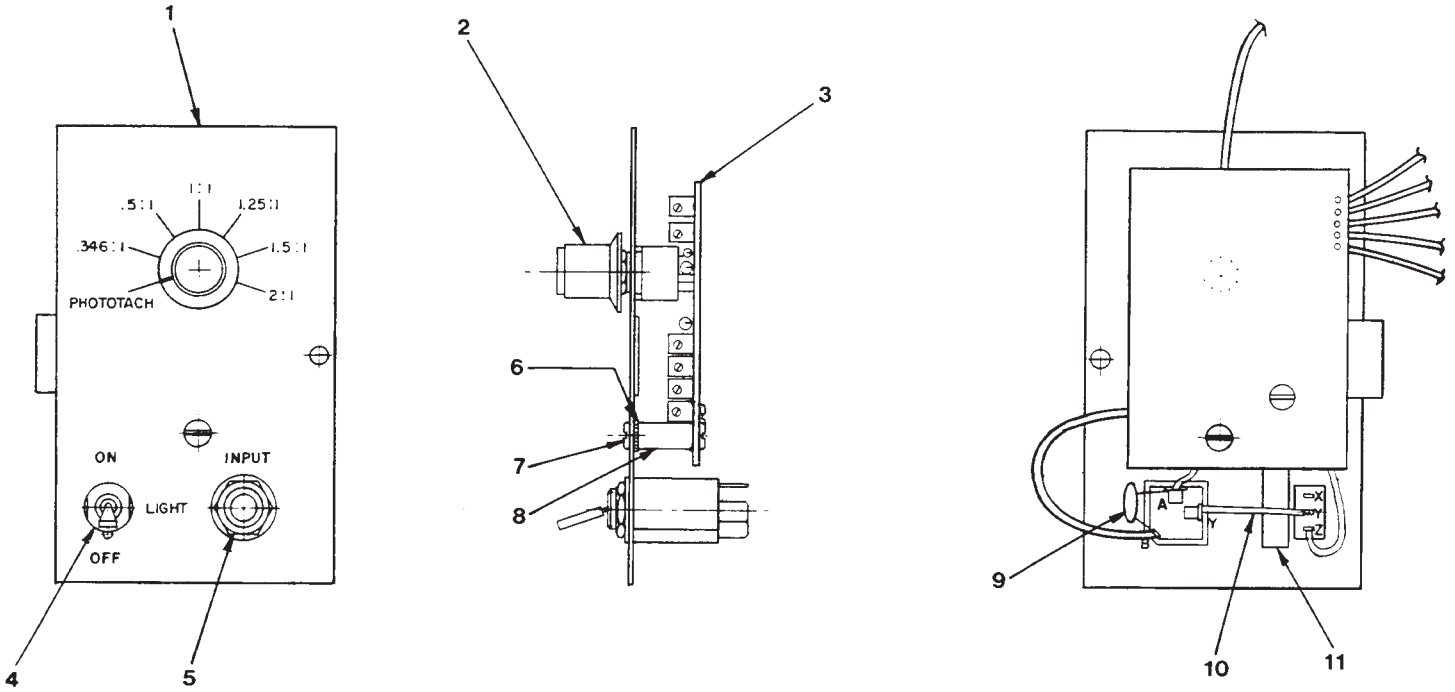
METER PANEL ASSEMBLY



Item No.	Part No.	No. Req'd	Description
1	51092	1	Meter Panel
2	45384	1	Switch
3	211314	1	Hex Nut
4	211305	1	Tip
5	17743	3	Battery Strap
6	16689	1	Thermistor Probe
7	12313	3	Cable Tie
8	234373	1	Solder Sleeve Splice
9	104394	.67Ft	22 Gauge Wire (Red)
10	12313	3	Cable Tie
11	104392	.67Ft	22 Gauge Wire (Red)
12	13156	1	Non-Releaseable Cable Tie
13	16782	.1Ft	Heat Shrink Tubing
14	104473	2	Brass Nut (#10-32)
15	11456	2	Washer (#10 External Tooth)

Item No.	Part No.	No. Req'd	Description
16	230491	2	Plain Brass Washer
17	51728	1	Printed Circuit Board
18	251650	1	LED (Red)
19	19920	1	Toggle Switch
20	17497	1	Toggle Switch
21	16436	1	Toggle Switch
22	37867	1	Meter Assembly
23	18335	1	Phenolic Washer
24	18326	1	Swedged Fibre Washer
25	16433	1	Jack
26	16435	1	Phone Jack
27	18292	1	Fuseholder
28	17811	1	Fuse (1/2 Amp, 250V.)
	42822	1	Meter Panel (Consists of Items 1-28)

TACHOMETER PANEL ASSEMBLY



Item No.	Part No.	No. Req'd	Description
1	42855	1	Tach Panel
2	17561	1	Knob
3	42850	1	Circuit Board Ass'y
4	16436	1	Toggle Switch
5	17562	1	Jack
6	15906	2	Washer
7	17563	2	Machine Screw
8	16020	1	Standoff
9	18294	1	Ceramic Capacitor
10	17551	.12 ft.	Hookup Wire
11	205474	1	Logo Decal