

Parts List, Form No. 100476, Back sheet 1 of 3

| Item No. | Part No. | No. Req'd | Description | Item No. | Part No. | No. Req'd | Description |
|----------|----------|-----------|---|--|-----------|-----------|--|
| 1 | 17486 | 2 | Machine Screw (#6-32 UNC X 1/4 Lg.) | 31 | 202030 | 1 | Spacer |
| 2 | 37526 | 1 | Tachometer Panel Ass'y (See back sheet 3 of 3) | 32 | 60343 | 1 | Flow Block |
| 3 | 16972 | 9 | Self-Tapping Screw (#4-24 X 1/4 Lg.) | 34 | 16542 | 1 | Rupture Disc |
| 4 | 42821 | 1 | Meter Panel (See sheet 3 of 3) | 35 | 16541 | 1 | Hold Down Ring |
| 5 | 16417 | 4 | Pop Rivet | 36 | 36621 | 1 | Burst Disc Retainer (Torque to 100/110 ft. lbs.) |
| 6 | 16932 | 4 | Hex Hd. Cap Screw (3/8-16 X 1" Lg.; Torque to 31/41 ft. lbs.) | 37 | 202166BK2 | 1 | Hose Connector |
| 7 | 203872 | 1 | Calibration Decal | 38 | 11303 | 2 | O-ring (1-7/8 X 1-11/16 X 3/32) |
| 8 | *16595 | 1 | Recording Decal | 39 | 251222 | 4 | Pipe Plug (1/16 NPTF) |
| 9 | 16416 | 2 | Catch | 40 | 10241 | 5 | Lockwasher (for #10 bolt) |
| 10 | 10197 | 4 | Hex Nut (#10-24 UNC) | 41 | 16882 | 1 | Cartridge Relief Valve (See Sheet 2 of 3) |
| 11 | 10017 | 2 | Hex Hd. Cap Screw (1/4-20 UNC X 1" Lg.; Torque to 80/85 in. lbs.) | 42 | *202076 | 1 | Decal (Increase/Decrease) |
| 12 | 51086BK2 | 1 | Electronic Box | 43 | 16678 | 1 | Warning Decal |
| 13 | 16429 | 4 | Recessed Bumper | 44 | 17458 | 1 | Soc. Hd. Cap Screw (#4-40 X 3/8 Lg.; Torque to 4/6 in. lbs.) |
| 14 | 16467 | 5 | Hex Hd. Cap Screw (#10-24 X 1/2 Lg.) | 45 | 15499 | 1 | Pipe Plug (1/8 NPTF) |
| 15 | 15415 | 4 | Hex Hd. Cap Screw (#10-24 X 3/8 Lg.; Torque to 20/25 in. lbs.) | 46 | 207166 | 1 | Filter Disk |
| 16 | 16444 | 8 | Button Plug(1/2-13UNC) | 47 | 11893 | 1 | Retaining Ring (for 7/16" hole) |
| 17 | 16443 | 2 | Flange Cap | 48 | 36520 | 1 | Poppet Filter Assembly (includes Items 46 & 47) |
| 18 | 10712 | 1 | Retaining Ring (for 1-1/2 hole) | 49 | *14739 | 1 | O-ring (1-11/16 X 1-1/2 X 3/32) |
| 19 | 36523 | 1 | Flow Straightener (long) | 50 | *16447 | 1 | Glyd Ring |
| 20 | 16462 | 1 | Compression Spring (1/4 O.D. X 3/8 Lg.) | 51 | 16969 | 1 | Compression Spring (.970 O.D. X 3" Lg.) |
| 21 | 24758 | 1 | Locating Pin | 52 | *16418 | 1 | Disogrin O-ring (1-7/8 X 1-11/16 X 3/32) |
| 22 | 202032 | 2 | Cone (long) | 53 | 36521 | 1 | End Cap |
| 23 | 16455 | 2 | Retaining Ring (for 1/2 hole) | 54 | 16074 | 1 | Cable Clamp |
| 24 | 16454 | 1 | Ball Bearing | 55 | 16422 | 6 | Wide Roll Eyelet |
| 25 | 202036 | 1 | Turbine Rotor | 56 | 37491BK2 | 1 | Battery Panel |
| 26 | 202031 | 1 | Cone (short) | 57 | 16594 | 1 | Battery Ident. Decal |
| 27 | 36522 | 1 | Flow Straightener (short) | 58 | 16421 | 3 | Battery Holder |
| 28 | †16971 | 1 | Nylon Washer (.040 thk.; used on all testers before 4-1-82) | 59 | 16543 | 3 | Battery (9 Volt) |
| | ††207339 | 1 | Nylon Washer (.020 thk; used on all testers after 4-1-82) | 60 | 50955BK2 | 1 | Wrap Around Bar Ass'y |
| 29 | †16479 | 1 | Magnetic Pickup (used on all testers before 4-1-82) | 61 | 203650 | 1 | Decal |
| | ††302827 | 1 | Magnetic Pickup (used on all testers after 4-1-82) | PARTS INCLUDED BUT NOT SHOWN 251772 1 Decal 60423 1 Complete Basic Tester (consists of Items 1-61) | | | |
| 30 | 202128 | 1 | Guide Spacer | | | | |

Part numbers marked with an asterisk (*) are contained in Repair Kit #300310.

†Must be ordered as a set.

††Must be ordered as a set.

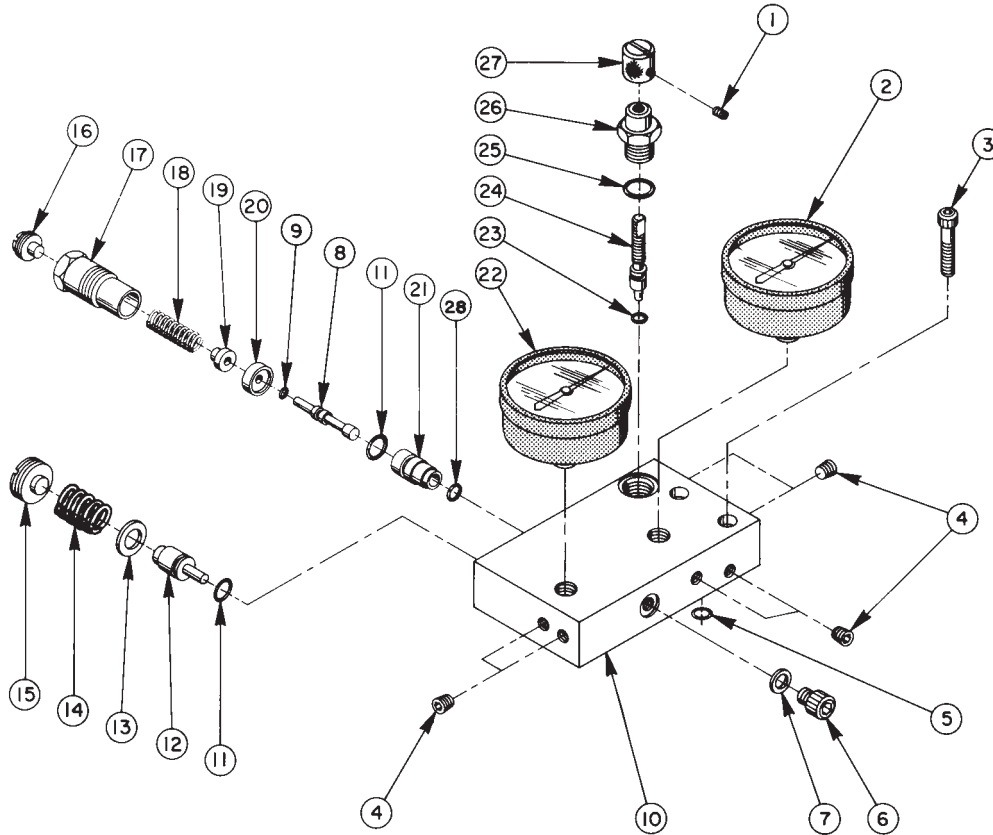
Refer to any operating instructions included with this product for detailed information about operation, testing, disassembly, reassembly, and preventive maintenance.

Items found in this parts list have been carefully tested and selected. **Therefore: Use only genuine replacement parts!**

Additional questions can be directed to our Technical Services Department.

Note: Shaded areas reflect last revision(s) made to this form.

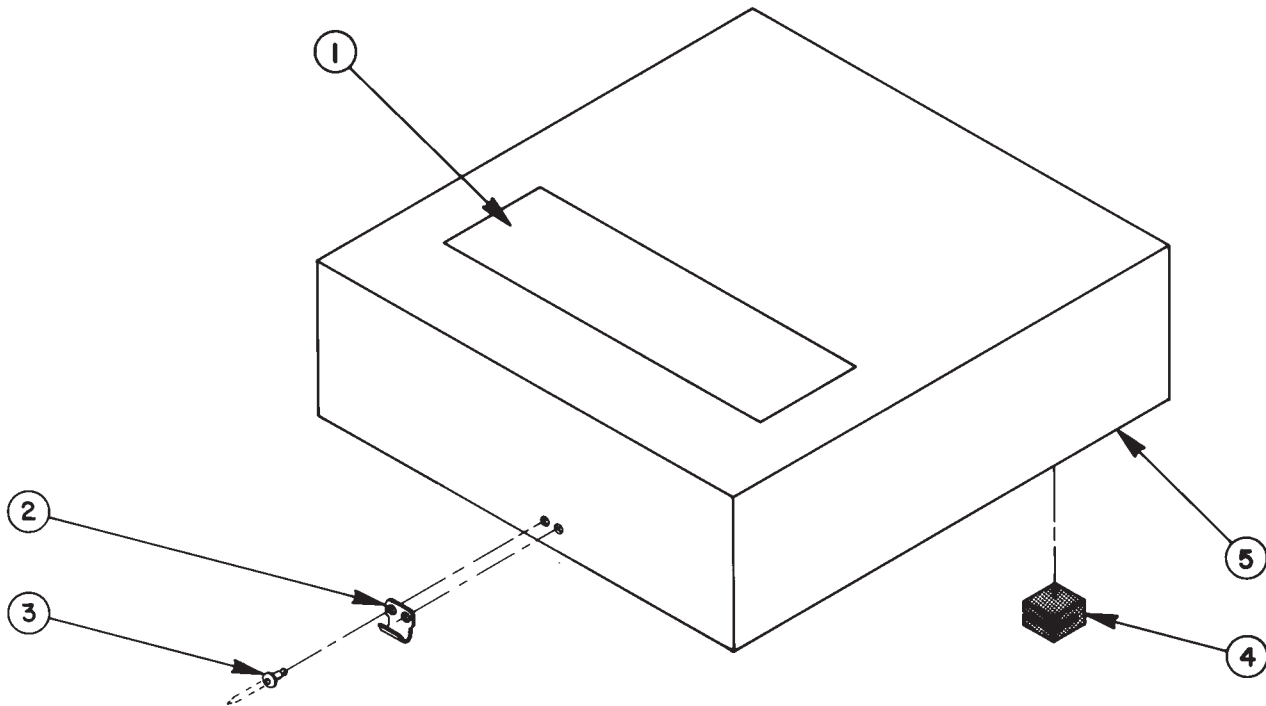
DUAL PRESSURE GAUGE ASSEMBLY



| Item No. | Part No. | No. Req'd | Description | Item No. | Part No. | No. Req'd | Description |
|----------|----------|-----------|--|----------|----------|-----------|--|
| 1 | 10132 | 1 | Set Screw (#8-32 UNC X 1/4) | 15 | 200020 | 1 | Plug |
| 2 | 11637 | 1 | High Pressure Gauge | 16 | 27850 | 1 | Adjusting Screw |
| | 17967 | 1 | Liquid-filled Gauge (0-6000 PSI; optional) | 17 | 33414 | 1 | Spring Retainer |
| 3 | 10020 | 2 | Soc. Hd. Cap Screw (1/4-20 UNC X 1-1/4 Lg.) | 18 | 13165 | 1 | Compression Spring (3/8 O.D. X 1-1/2 Lg.) |
| 4 | 11084 | 6 | Pipe Plug (1/16 NPTF) | 19 | 27805 | 1 | Spring Button |
| 5 | *10266 | 1 | O-ring (3/8 X 1/4 X 1/16) | 20 | 27806 | 1 | Guide Collar |
| 6 | 25683 | 1 | Special Cap Screw | 21 | 27783 | 1 | Guide |
| 7 | *11031 | 1 | Copper Washer (15/32 X 5/16 X 1/32) | 22 | 11636 | 1 | Low Pressure Gauge |
| 8 | 27786 | 1 | Spool (See Form #102461 for correct installation) | 23 | *10265 | 1 | O-ring (5/16 X 3/16 X 1/16, -008) |
| 9 | *10264 | 1 | O-ring (1/4 X 1/8 X 1/16) | 24 | 200686 | 1 | Stem |
| 10 | 50445 | 1 | Dual Gauge Block | 25 | *10300 | 1 | O-ring (5/8 X 15/32 X 5/64, -906) |
| 11 | *10268 | 2 | O-ring (1/2 X 3/8 X 1/16) | 26 | 33415 | 1 | Guide |
| 12 | 200021 | 1 | Plunger (See Form #102461 for correct installation) | 27 | 200685 | 1 | Knob |
| 13 | 14968 | 1 | Washer (3/4 X 25/64 X 1/16) | 28 | *12522 | 1 | O-ring (3/8 X 1/4 X 1/16, -010) |
| 14 | 14979 | 1 | Compression Spring (3/4 O.D. X 1" Lg.) | | 33422 | 1 | Dual Gauge Ass'y (consists of Items 1-28) |

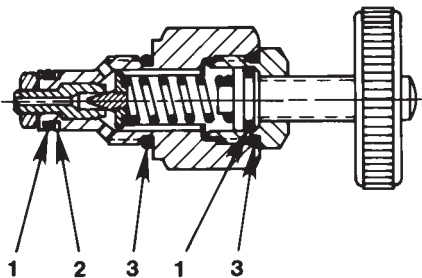
Part numbers marked with an asterisk (*) are contained in Repair #300310.

COVER ASSEMBLY



| Item No. | Part No. | No. Req'd | Description |
|----------|----------|-----------|--|
| 1 | 38330 | 1 | Trade Name Decal (HT200P) |
| | 304670 | 1 | Trade Name Decal (4224) |
| 2 | 16979 | 2 | Catch |
| 3 | 16417 | 4 | Pop Rivet |
| 4 | 16420 | 1 | Channel Grommet |
| 5 | 60337 | 1 | Cover (unpainted) |
| | 60425OR9 | 1 | Cover Assembly (For HT200P; consists of Items 1-5) |
| | 60425BL2 | 1 | Cover Assembly (For 4224; consists of Items 1-5) |

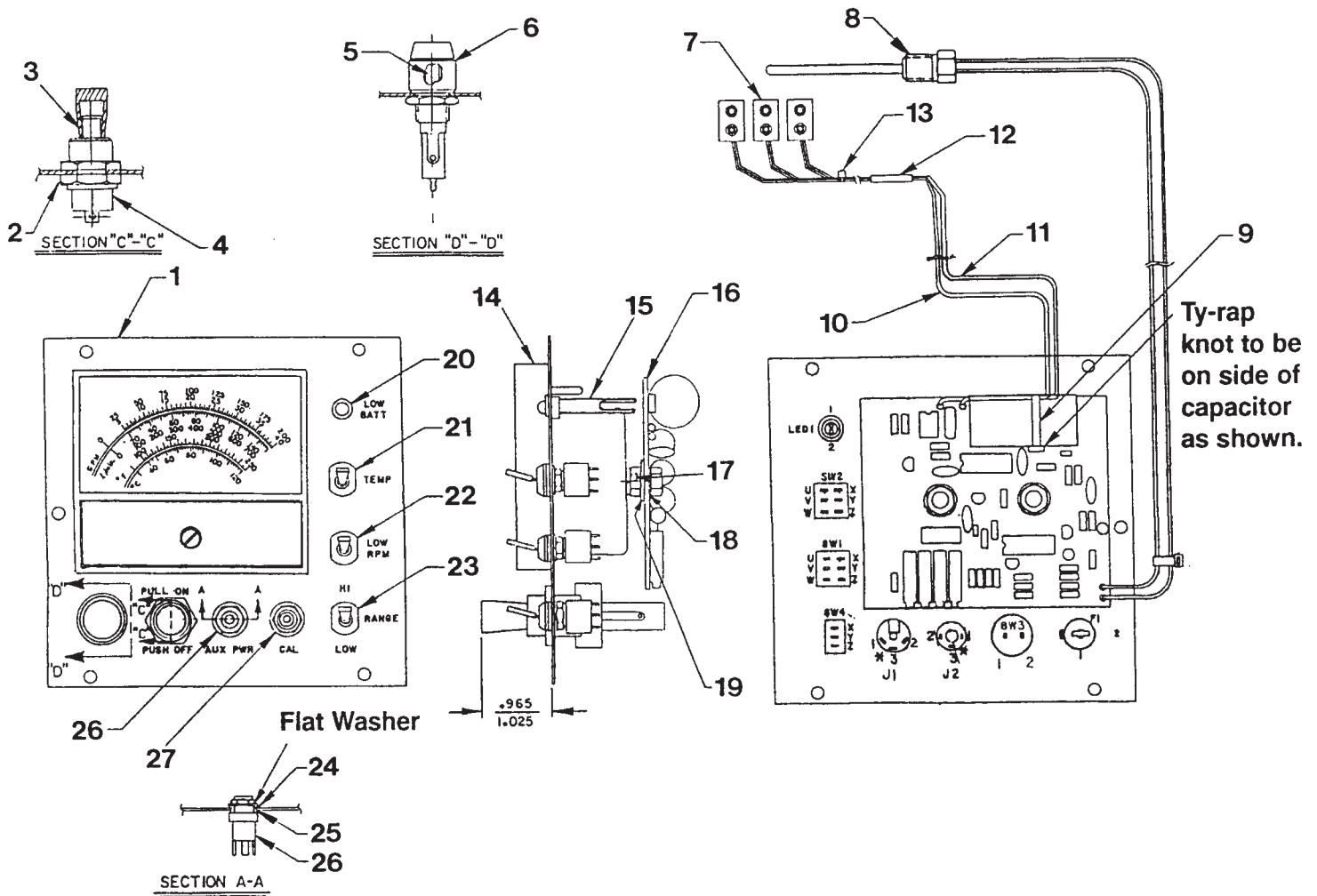
CARTRIDGE RELIEF VALVE ASSEMBLY



| Item No. | Part No. | No. Req'd | Description |
|----------|----------|-----------|-------------------------------------|
| 1 | *10268 | 2 | O-ring (1/2 X 3/8 X 1/16) |
| 2 | *11863 | 1 | Backup Washer (1/2 X 3/8 X 1/16) |
| 3 | *10527 | 2 | O-ring (13/16 X .644 X .087) |

Part numbers marked with an asterisk (*) are contained in Repair Kit #300311.

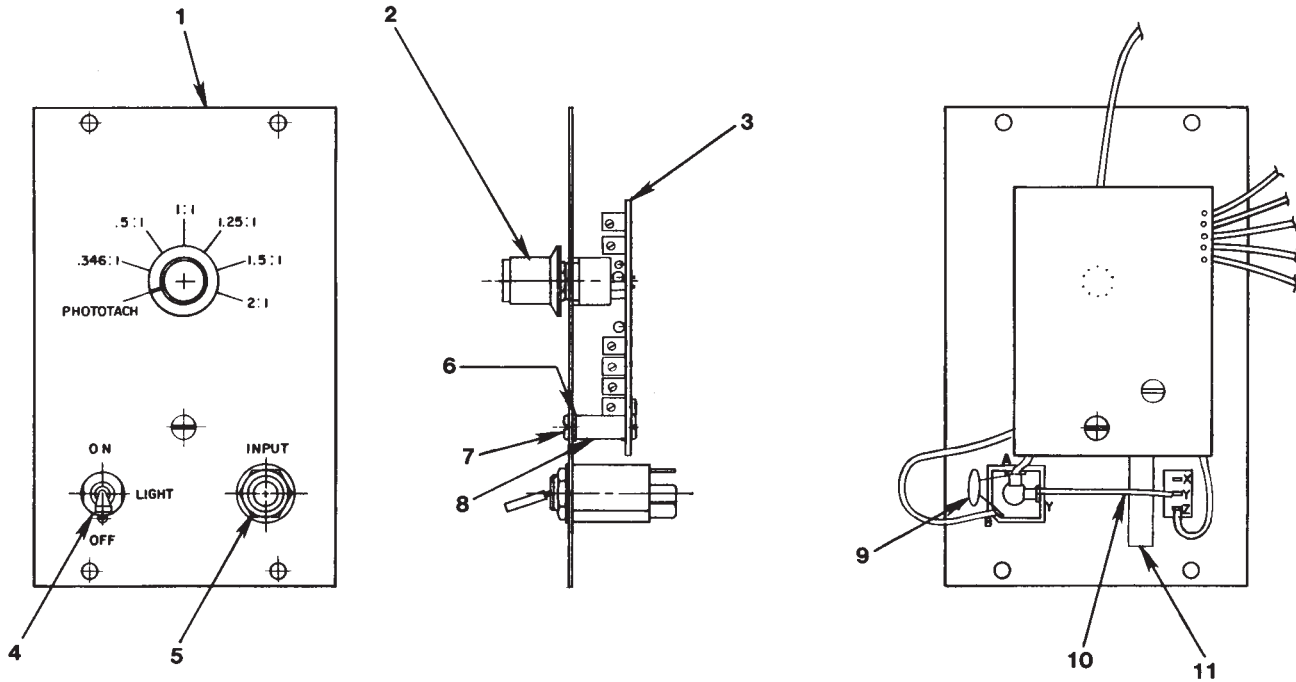
METER PANEL ASSEMBLY



| Item No. | Part No. | No. Req'd | Description |
|----------|----------|-----------|---------------------------|
| 1 | 51091 | 1 | Meter Panel |
| 2 | 211314 | 1 | Hex Nut |
| 3 | 211305 | 1 | Tip |
| 4 | 45384 | 1 | Switch |
| 5 | 17811 | 1 | Fuse (1/2 Amp, 250 V.) |
| 6 | 18292 | 1 | Fuseholder |
| 7 | 17743 | 3 | Battery Strap |
| 8 | 16445 | 1 | Thermistor Probe |
| 9 | 13156 | 1 | Non-releaseable Cable Tie |
| 10 | 104392 | .67 Ft. | Wire (red, 22 ga.) |
| 11 | 104394 | .67 Ft. | Wire (red, 22 ga.) |
| 12 | 234373 | 2 | Solder Sleeve Splice |
| 13 | 12313 | 3 | Cable Tie |
| 14 | 37866 | 1 | Meter Assembly |

| Item No. | Part No. | No. Req'd | Description |
|----------|----------|-----------|--------------------------------------|
| 15 | 16782 | .1 Ft. | Heat Shrink Tubing |
| 16 | 51728 | 1 | Printed Circuit Board |
| 17 | 104473 | 2 | Brass Hex Nut (#10-32 UNF) |
| 18 | 11456 | 2 | Washer (#10 external tooth) |
| 19 | 230491 | 2 | Plain Brass Washer |
| 20 | 251650 | 1 | LED (red) |
| 21 | 19920 | 1 | Toggle Switch |
| 22 | 17497 | 1 | Toggle Switch |
| 23 | 16436 | 1 | Toggle Switch |
| 24 | 18335 | 1 | Phenolic Washer |
| 25 | 18326 | 1 | Swedged Fibre Washer |
| 26 | 16433 | 1 | Jack |
| 27 | 16435 | 1 | Phone Jack |
| | 42821 | 1 | Meter Panel (consists of Items 1-27) |

TACHOMETER PANEL ASSEMBLY



| Item No. | Part No. | No. Req'd | Description |
|----------|----------|-----------|---------------------|
| 1 | 42854 | 1 | Tach Panel |
| 2 | 17561 | 1 | Knob |
| 3 | 42850 | 1 | Circuit Board Ass'y |
| 4 | 16436 | 1 | Toggle Switch |
| 5 | 17562 | 1 | Jack |
| 6 | 15906 | 2 | Washer |
| 7 | 17563 | 2 | Machine Screw |
| 8 | 16020 | 1 | Standoff |
| 9 | 18294 | 1 | Ceramic Capacitor |
| 10 | 17551 | .16 ft. | Hookup Wire |
| 11 | 205474 | 1 | Logo Decal |