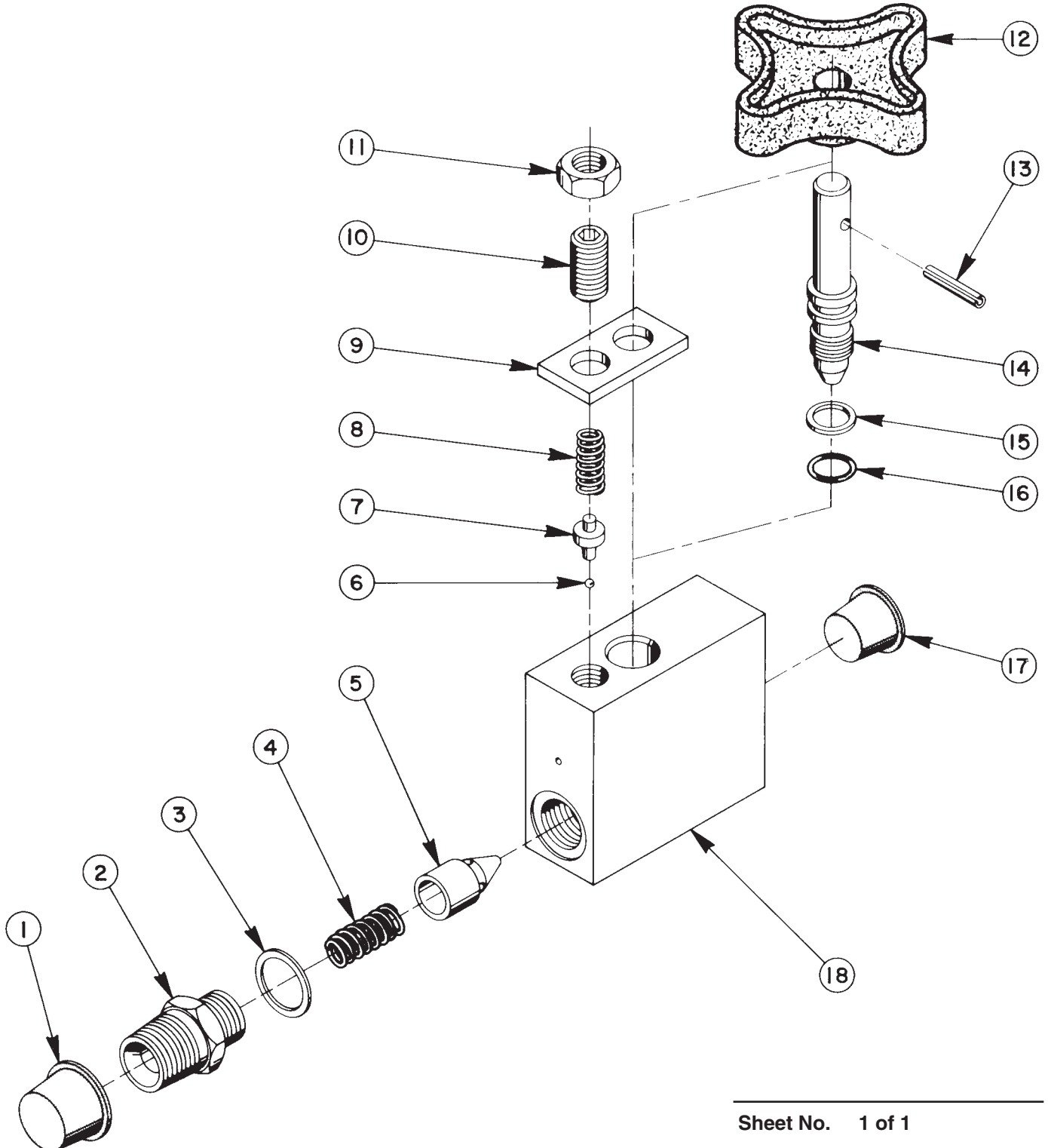


Parts List for:

9596
V38L
V-6

RESTRICTOR VALVE
Maximum Capacity: 10,000 PSI



Parts List, Form No. 100488, Back sheet 1 of 1

Item No.	Part No.	No. Req'd	Description
1	12546	1	Cap
2	20879	1	Connector
3	10261	1	Copper Washer
4	10425	1	Compression Spring
5	20771	1	Poppet
6	14443	1	Ball (3/32 Dia.)
7	29785	1	Ball Retainer
8	14475	1	Compression Spring
9	202653	1	Stop Plate
10	16732	1	Set Screw (3/8-24 X 3/4 Lg.)
11	10386	1	Jam Nut
12	23272	1	Knob

Item No.	Part No.	No. Req'd	Description
13	10895	1	Roll Pin (1/8 Dia. X 3/4 Lg.)
14	202654	1	Control Valve Stem
15	11863	1	Backup Washer, Teflon (1/2 X 3/8 X .048)
16	10268	1	O-ring (1/2 X 3/8 X 1/16)
17	12545	1	Plug
18	42503	1	Valve Body

PARTS INCLUDED BUT NOT SHOWN

207431	1	Trade Name Decal (For V-6)
202673	1	Trade Name Decal (For V38L)
208712	1	Corporate Decal (For 9596)

SPECIFICATIONS

This is a valve that features precision metering for controlled cylinder return and built-in pressure relief. It can be used with either single-acting or double-acting hydraulic cylinders. The valve permits free flow as the ram piston is extended. The built-in check feature automatically locks and holds the load in the raised position until the operator opens the valve. The unit may be preset to provide consistent metered return of the load or the operator may select the rate of return with each actuation.

Male and Female Port Size (In.)	Pressure Relief Setting	Maximum Flow Rating	Maximum Operation Pressure
3/8 N.P.T.F.	12,000 P.S.I.	5 G.P.M.	10,000 P.S.I.

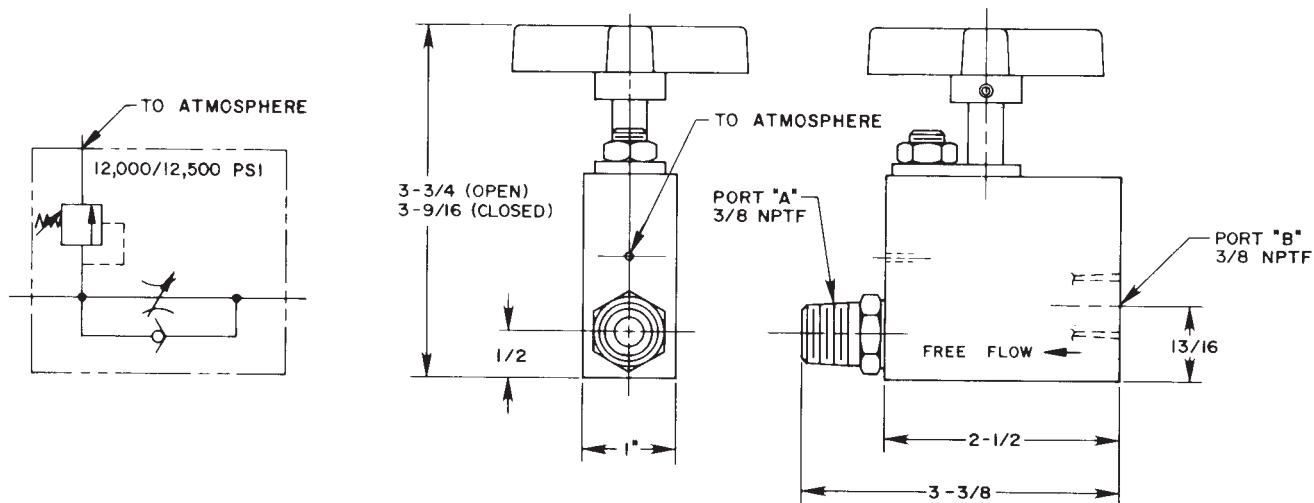
OPERATION

The direction of free flow is marked on one side of the valve body; note before installing valve.

Single-acting cylinders: Connect inline or directly into cylinder port. When valve is closed, free flow is in one direction only. With valve on pumping unit in the retract position the load can then be metered. When load lowering valve is open, operation of the cylinder is normal.

Double-acting cylinders: Connect to desired side of cylinder; inline or directly into cylinder port. On double-acting cylinders the load lowering valve should not be completely closed when pressurizing the opposite port.

NOTE: Not recommended for use with 4-way solenoid valve with a closed center.



Refer to any operating instructions included with this product for detailed information about operation, testing, disassembly, reassembly, and preventive maintenance.

Items found in this parts list have been carefully tested and selected. **Therefore: Use only genuine replacement parts!**

Additional questions can be directed to our Technical Services Department.