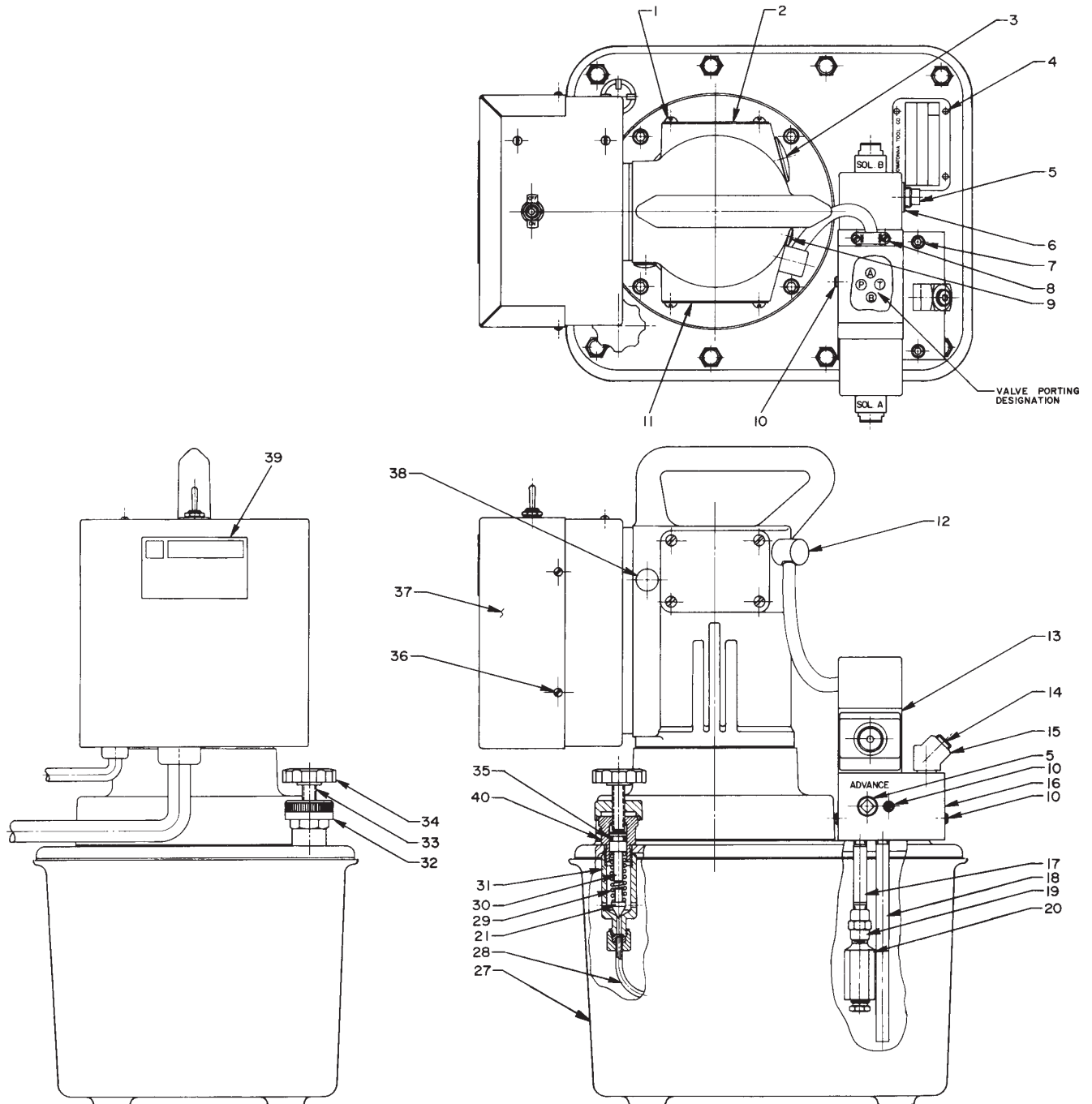


**HYDRAULIC PUMP**  
**WITH REMOTE CONTROLLED SOLENOID VALVE**  
**GENERAL ASSEMBLY**



# Parts List, Form No. 100510, Back sheet 1 of 6

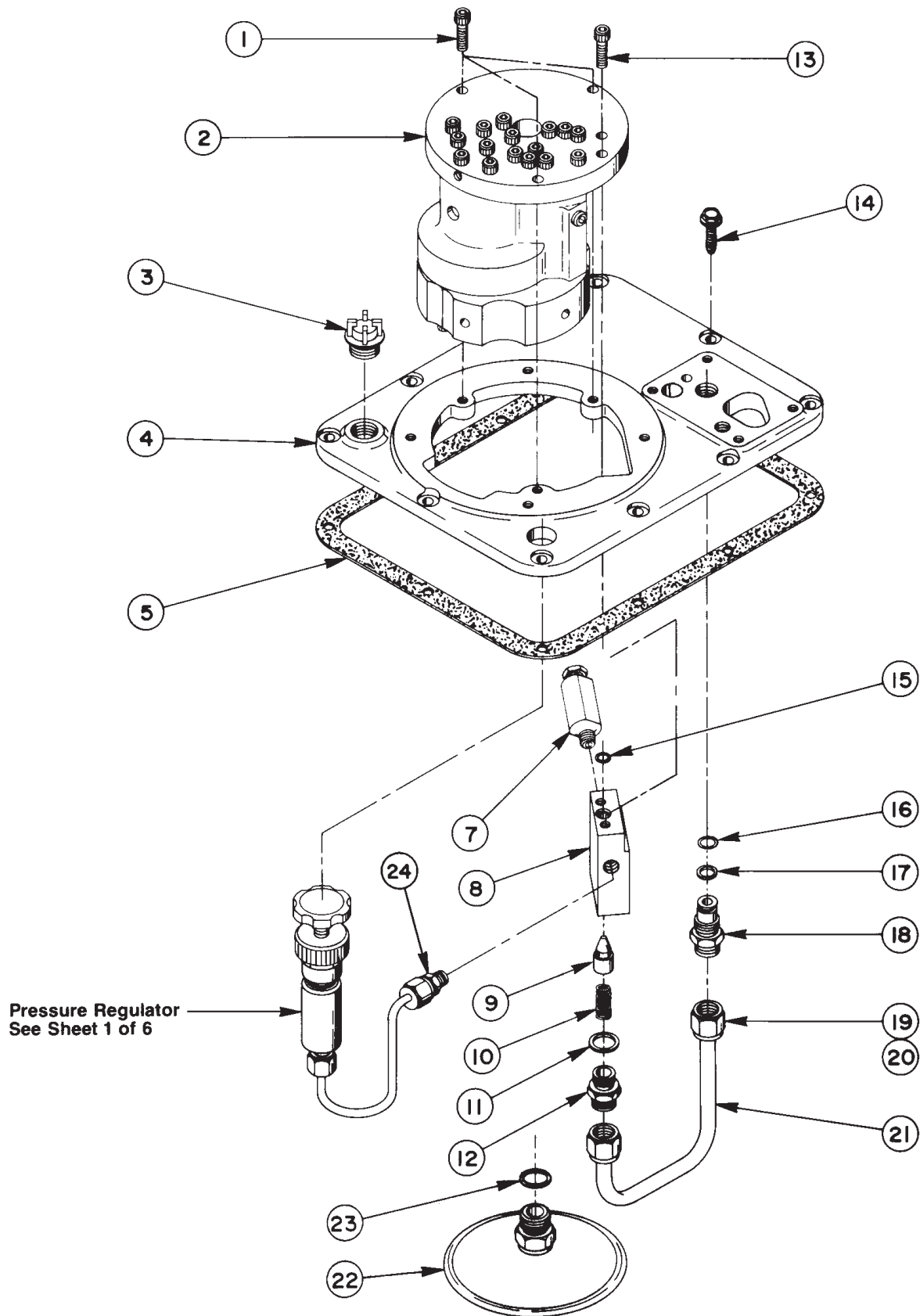
Item No.	Part No.	No. Req'd	Description
1	10164	8	Rd. Hd. Mach. Screw
2	21008	1	Cover
3	12370	1	Snap Plug
4	10575	4	Drive Screw
5	11127	2	Pipe Plug
6	10621	1	90° Elbow Fitting
7	10890	4	Soc. Hd. Cap Screw
8	11203	1	Electrical Connector
9	11455	1	Snap Plug
10	11084	3	Pipe Plug
11	22719	1	Spec. Cover (For SST115 & 41-61037)
	22720	1	Spec. Cover (For SST230)
12	12176	1	Strain Relief Bushing
13	16664-1	1	Solenoid Valve (For SST115 & 41-61037)
	16664-2	1	Solenoid Valve (For SST230)
14	10479	1	Pipe Plug
15	10645	1	45° Elbow Fitting
16	51217	1	Manifold
17	15456	1	Nipple Fitting
18	20847	1	Drain Line
19	18841	1	Straight Fitting
20	21278-15	1	Relief Valve Ass'y (Set at 1500/1700 PSI)
27	61165	1	Reservoir
28	29267	1	Oil Line
29	10495	1	Compression Spring
30	21306	1	Spring Guide
31	22361	1	Body
32	24573	1	Knob Locknut
33	19796	1	Soc. Hd. Cap Screw
34	19564	1	Thumb Screw Knob
35	10268	1	"O" Ring
36	14812	4	Self-Tapping Screw
37	43126-WH2	1	Elec. Box Cover
38	13971	1	Snap Plug
39	200188	1	Caution Decal
40	21305	1	Pressure Regulator Valve Cap

Refer to any operating instructions included with this product for detailed information about operation, testing, disassembly, reassembly, and preventive maintenance.

Items found in this parts list have been carefully tested and selected. **Therefore: Use only genuine replacement parts!**

Additional questions can be directed to our Technical Services Department.

# GENERAL PUMP ASSEMBLY

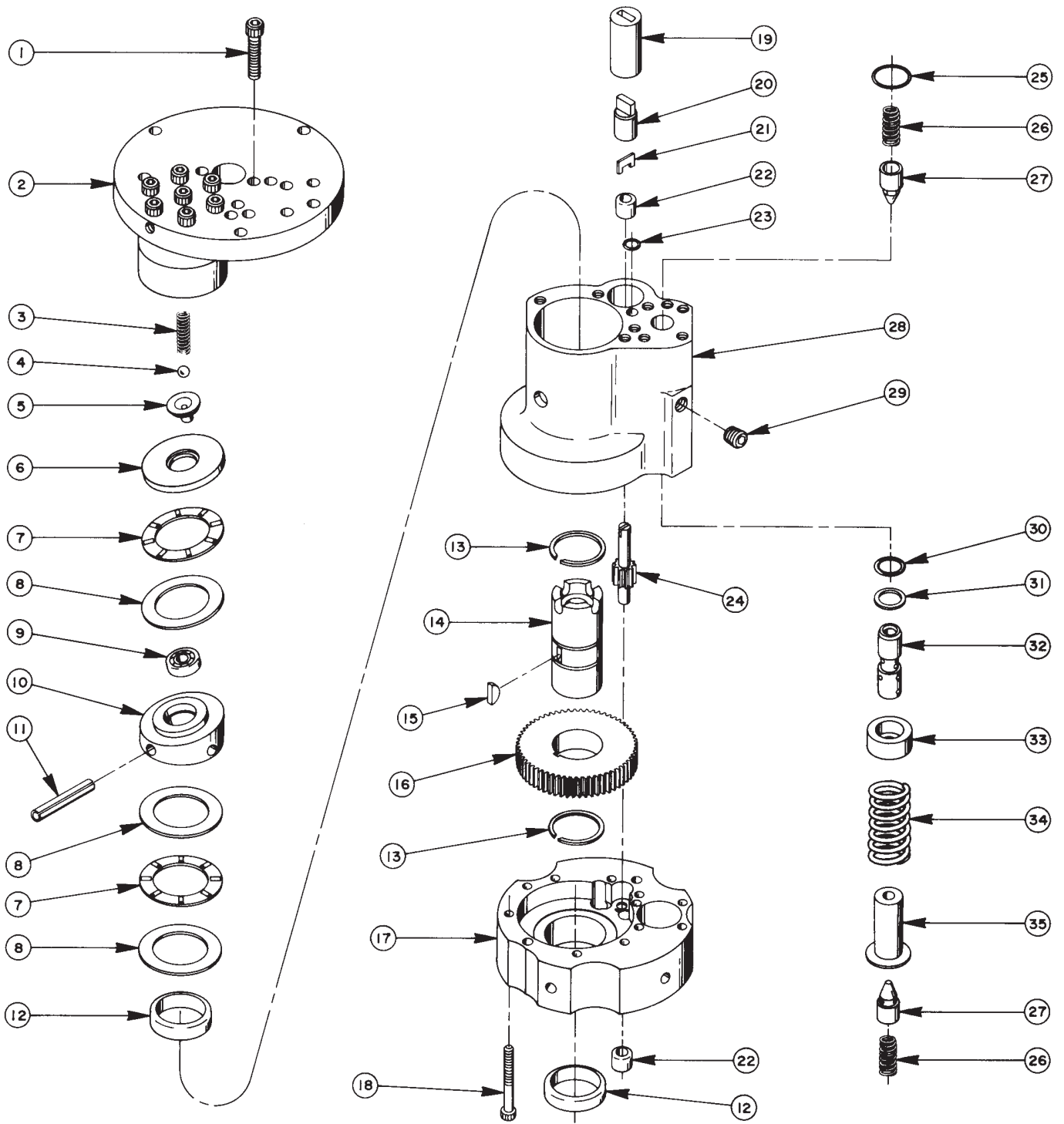


## Parts List, Form No. 100510, Back sheet 2 of 6

---

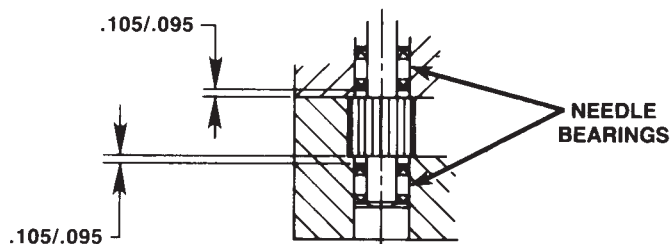
Item No.	Part No.	No. Req'd	Description
1	10016	3	Soc. Hd. Cap Screw
2	—	1	Basic Pump Ass'y (See sheet 3 of 6)
3	20937	1	Filler Plug
4	43130	1	Cover
5	40164	1	Gasket
7	21278-50	1	Relief Valve (Set at 5,100/5,700)
8	20776	1	Valve Body
9	20771	1	Poppet
10	10425	1	Compression Spring
11	10261	1	Copper Washer
12	20770	1	Connector (Torque to 40/45 in lbs.)
13	10015	2	Soc. Hd. Cap Screw (Torque to 180 in. lbs.)
14	209799	10	Mach. Screw
15	10266	1	"O" Ring
16	10268	1	"O" Ring
17	11863	1	Backup Washer
18	20787	1	Valve Connector
19	10430	2	Tube Sleeve
20	10431	2	Tube Nut
21	21045	1	Oil Line
22	21344	1	Filter Ass'y (Includes Item #23)
23	10300	1	"O" Ring
24	14844	1	Straight Fitting

# BASIC PUMP ASSEMBLY



Item No.	Part No.	No. Req'd	Description
1	10020	9	Soc. Hd. Cap Screw ( <i>Torque to 170-180 in. lbs.</i> )
2	33114	1	High Pressure Pump Ass'y ( <i>See sheet 4 of 6</i> )
3	10361	1	Compression Spring
4	10375	1	Steel Ball
5	23547	1	Bearing Top Plate
6	23548	1	Top Plate
7	11228	2	Thrust Bearing
8	11813	3	Bearing Race
9	11814	1	Ball Bearing
10	23549	1	Angle Plate
11	11955	1	Roll Pin
12	11064	2	Needle Bearing
13	11261	2	Retaining Ring
14	23556	1	Shaft
15	11821	1	Woodruff Key
16	23574	1	Gear
17	40072	1	Pump End Plate
18	10001	13	Soc. Hd. Cap Screw ( <i>Torque to 50 in. lbs.</i> )
19	28181	1	Aluminum Coupling
20	21092	1	Adapter
21	21093	1	Key
22	11198	2	Needle Thrust Bearing
23	10266	1	"O" Ring
24	20774	1	Drive Gear
25	10303	1	"O" Ring
26	10425	2	Compression Spring
27	20771	2	Poppet
28	40071	1	Pump Body
29	10427	1	Pipe Plug
30	10271	1	"O" Ring
31	12389	1	Teflon Backup Washer
32	20849	1	Spool
33	23255	1	Spring Guide
34	10426	1	Compression Spring
35	23256	1	Spring Guide

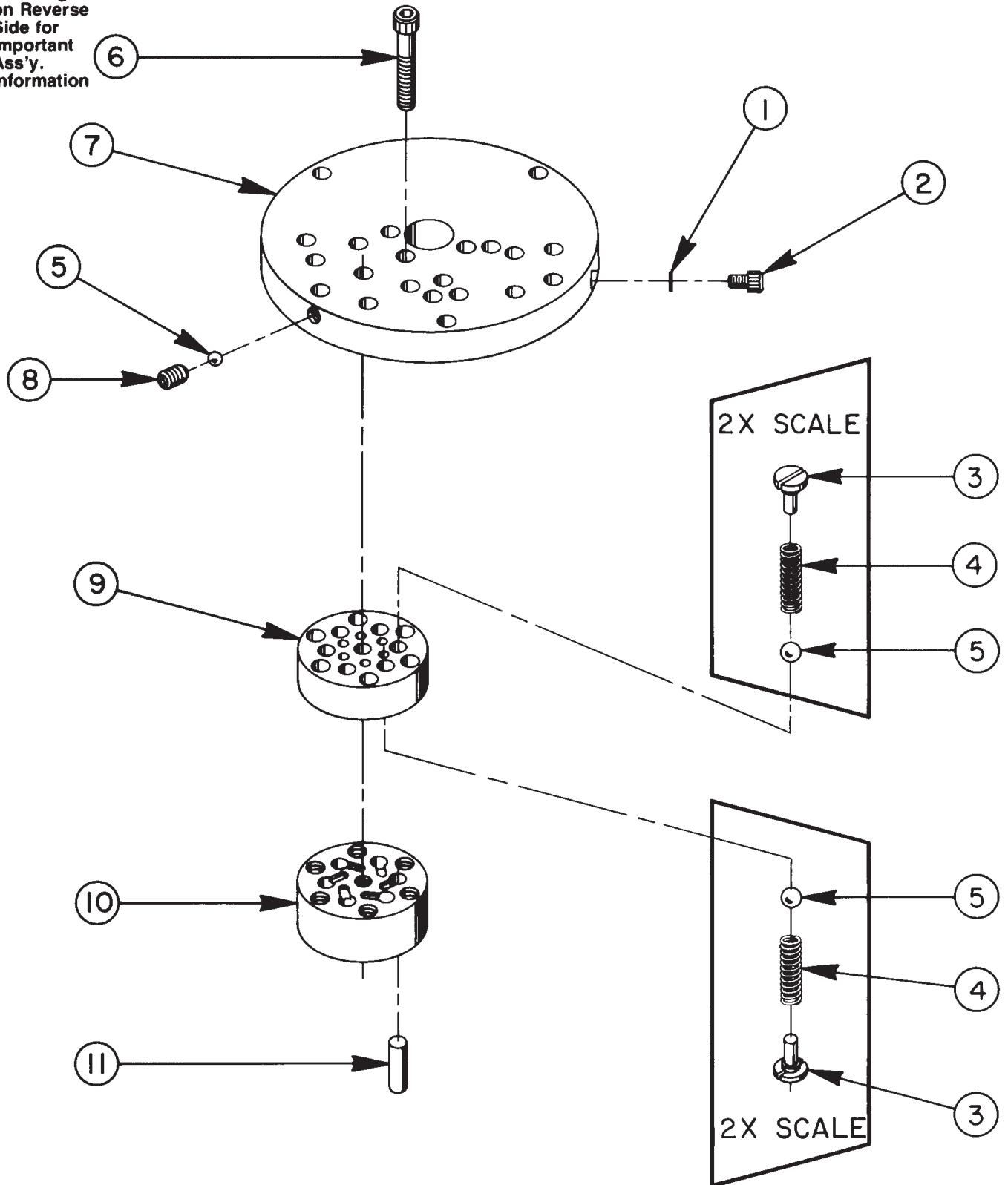
## NEEDLE BEARING INSTALLATION SPECIFICATIONS



When replacing the needle bearings on the drive gear of the basic pump, the dimensions shown must be as specified.

# HIGH PRESSURE PUMP ASSEMBLY

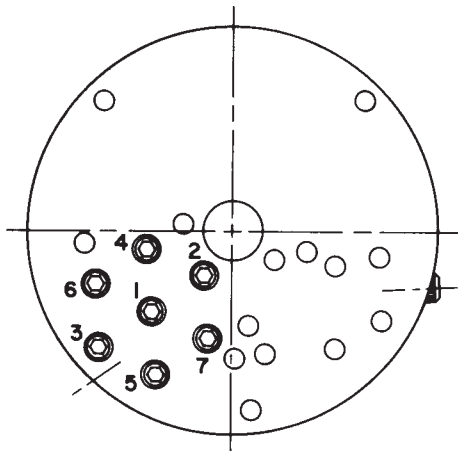
See Diagram  
on Reverse  
Side for  
Important  
Ass'y.  
Information



**33114 HIGH PRESSURE PUMP ASS'Y**  
**(6 Pistons — 9/32 Dia.)**

Item No.	Part No.	No. Req'd	Description
1	10442	1	Copper Washer
2	10002	1	Soc. Hd. Cap Screw ( <i>Torque to 140/160 in. lbs.</i> )
3	24549*	12	Valve Guide
4	10445*	12	Compression Spring
5	12223*	13	Steel Ball
6	10023*	7	Soc. Hd. Cap Screw ( <i>Torque to 170/180 in. lbs.</i> )
7	50411*	1	Top Plate
8	10519	1	Soc. Set Screw ( <i>Torque to 65/70 in. lbs.</i> )
9	41048*	1	Valve Head
10	41063*	1	Pump Barrel
11	21628*	6	Piston

Consult factory when replacing items marked with an asterisk (\*).

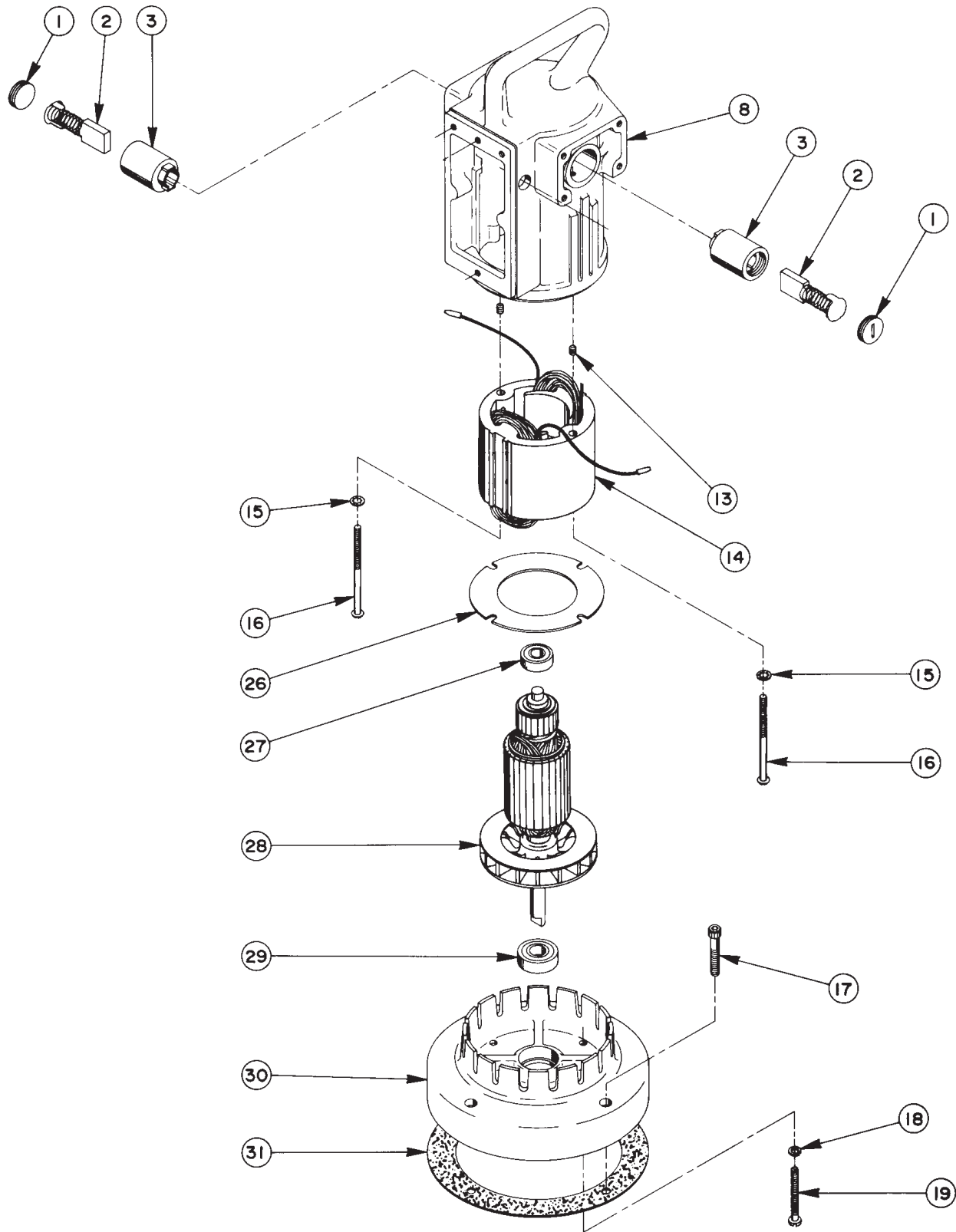


**BOLT TIGHTENING SEQUENCE**

**NOTE: Assemble in sequence shown.**  
**Lubricate under head and on threads.**  
**Torque to 180 in. lbs.**

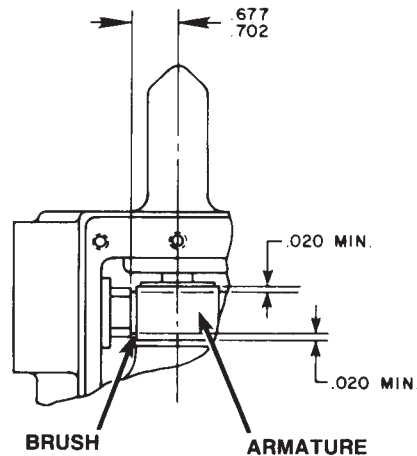
### UNIVERSAL MOTOR ASS'Y

12,000 R.P.M. – 115 OR 230 Volt, 50/60 Hz.



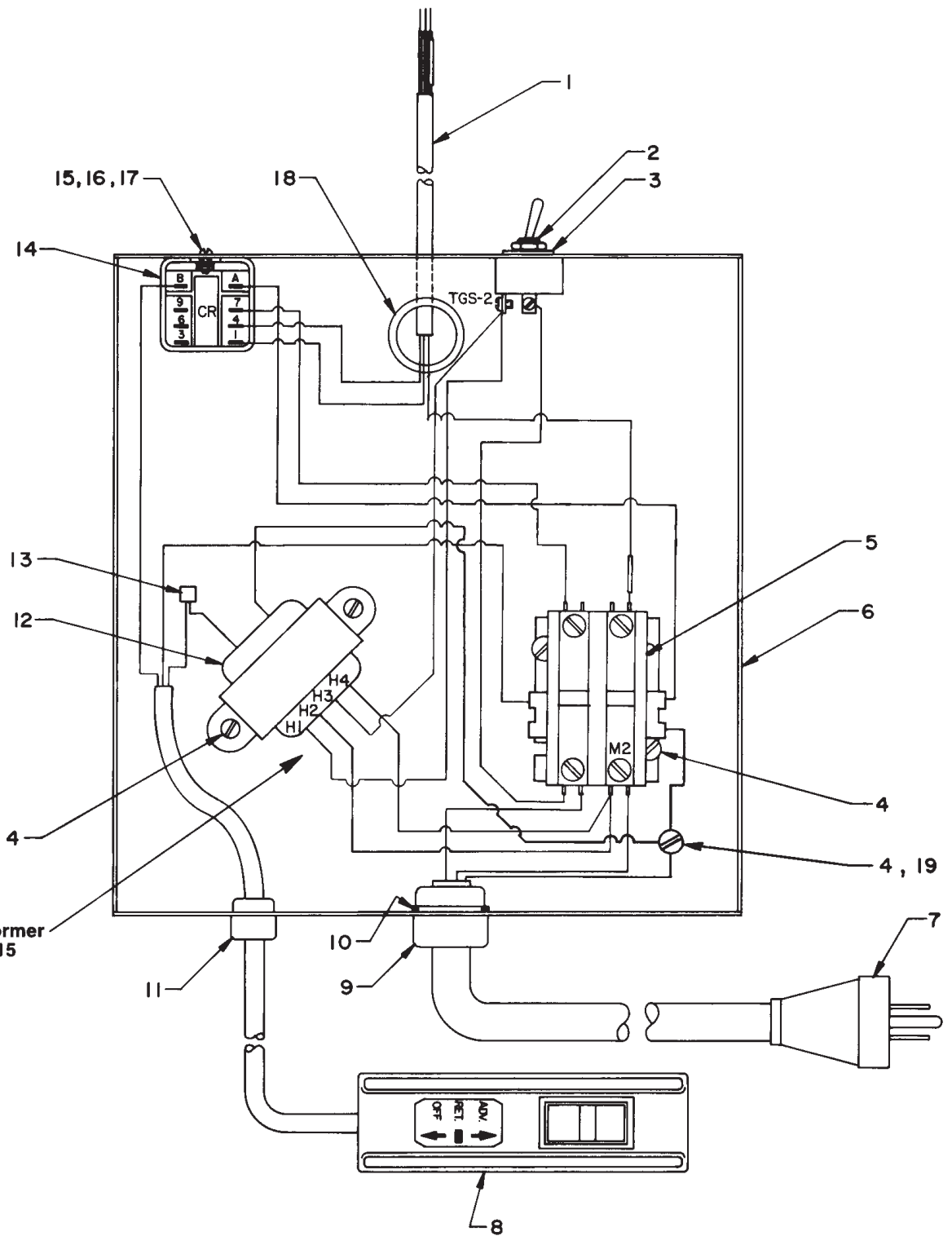
Item No.	Part No.	No. Req'd	Description
1	10806	2	Brush Holder Cap
2	10804	2	Brush Assembly
3	10805	2	Brush Holder
8	50160	1	Motor Shell
13	10133	2	Set Screw
14	10802	1	Field (115 Volt)
	10803	1	Field (230 Volt)
15	12356	2	Lockwasher
16	10170	2	Rd. Hd. Mach. Screw
17	10022	4	Soc. Hd. Cap Screw
18	10241	4	Lockwasher
19	10169	4	Pan Hd. Mach. Screw ( <i>Torque to 20/25 in. lbs.</i> )
26	20786	1	Baffle Plate
27	10438	1	Ball Bearing
28	10800	1	Armature (115 Volt)
	10801	1	Armature (230 Volt)
29	10439	1	Ball Bearing
30	40059	1	Motor Base
31	30650	1	Gasket

## BRUSH HOLDER & ARMATURE INSTALLATION SPECIFICATIONS



When replacing brushes or the armature, the dimensions shown must be as specified.

# ELECTRICAL CONTROL ASSEMBLY (115 VOLT UNIT SHOWN)



**NOTE:** On Transformer connections for 115 or 230 volt, see schematic on reverse side.

Item No.	Part No.	No. Req'd	Description
1	12908	2 Ft.	Elect. Cord (18/3 SJO)
2	12301	1	Toggle Switch
3	13890	1	Indicator Plate
4	10164	AR	Rd. Hd. Mach. Screw
5	11379-4	1	Starter Relay
	52060-4**	1	Starter Relay
6	51218-WH2	1	Electrical Control Box
7	21051	1	Power Cord (12/3)
8	203083	1	Remote Control Hand Switch (24 Volt)
9	11431	1	Strain Relief Bushing
10	23506	1	Spacer
11	15993	1	Strain Relief Bushing
12	11852	1	Transformer
13	208322	1	Wire Nut
14	39092	1	Relay
15	10159	2	Rd. Hd. Mach. Screw
16	10195	2	Hex Nut
17	15906	2	Shakeproof Washer
18	15497	1	Grommet Strip
19	11456	2	Lockwasher

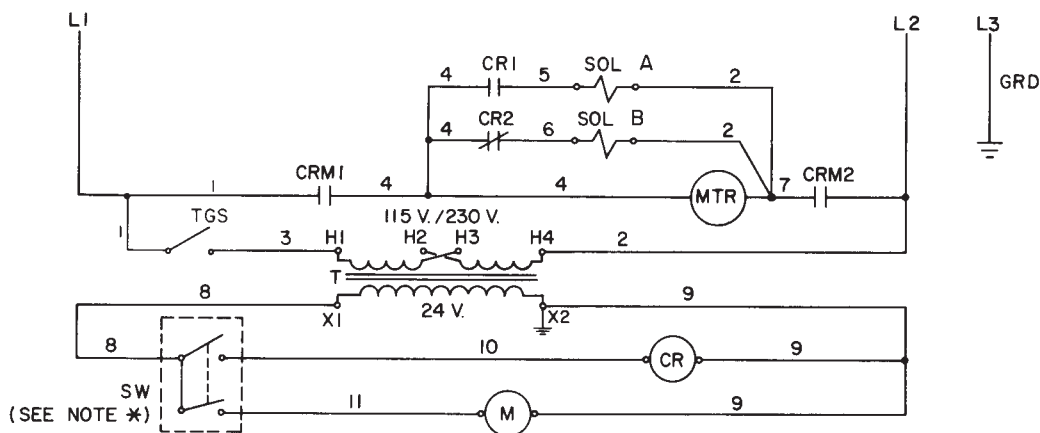
\*\*For units built after March, 1983.

AR = As Required

### ELECTRICAL SCHEMATIC

115 Volt, 50/60 Hz. Single Phase

230 Volt, 50/60 Hz. Single Phase



**NOTE \***  
 PROGRESSIVE REMOTE CONTROL SWITCH.  
 POSITION 1 (OFF): MOTOR OFF, SOLENOID OFF.  
 POSITION 2 (RET.): MOTOR ON, SOLENOID "B" ON.  
 POSITION 3 (ADV.): MOTOR ON, SOLENOID "A" ON. (MOMENTARY)  
 MOTOR STAYS ON BETWEEN POSITION 2 AND 3.

### TRANSFORMER CONNECTIONS

115 V., 50/60 Hz.	230V. 50/60 Hz.
H1 to TGS-2	H1 to TGS-2
H2 to M2	H2 to H3
H3 to TGS-2	H4 to M2
H4 to M2	