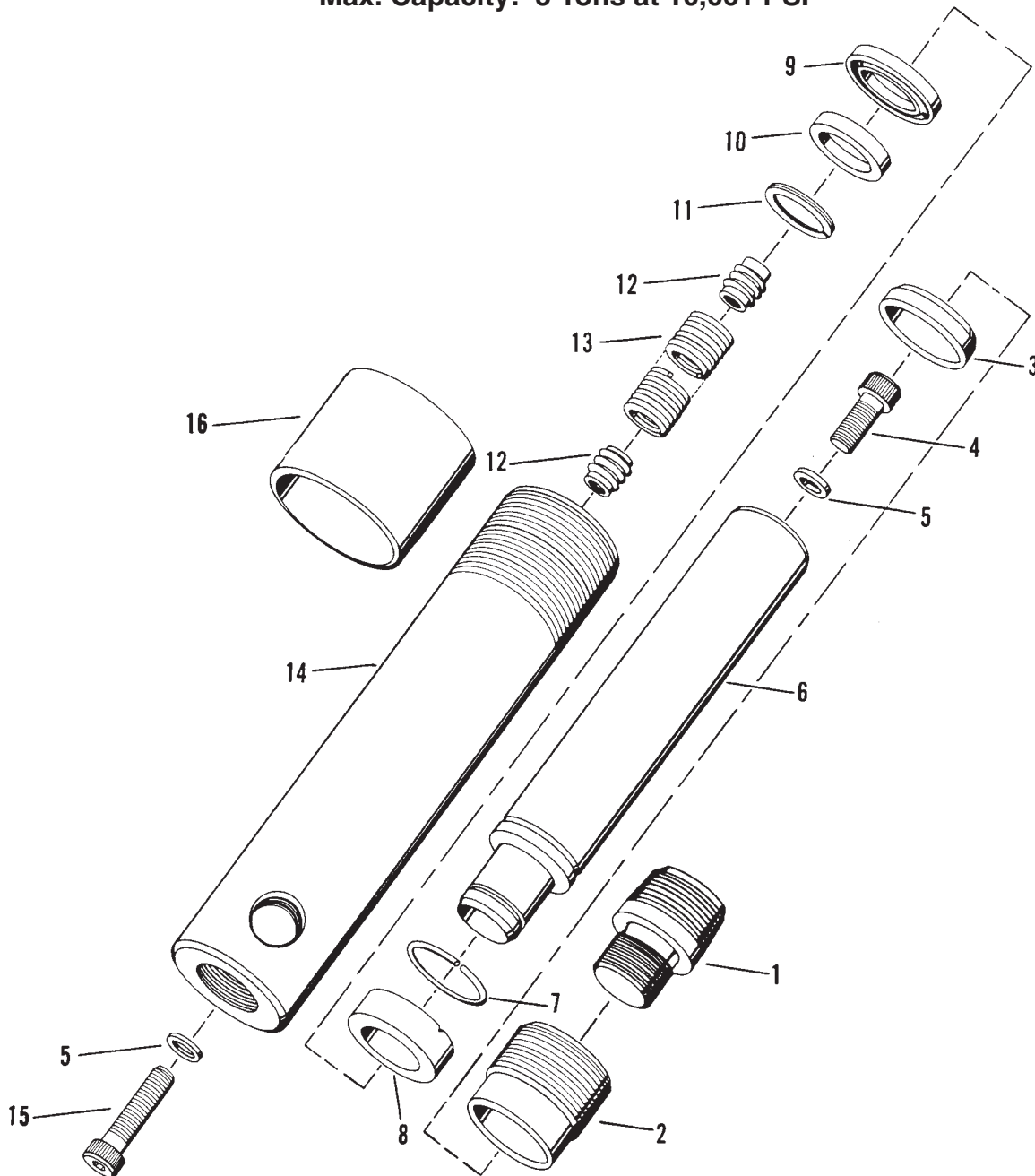


MODEL B
SINGLE-ACTING, SPRING RETURN
HYDRAULIC CYLINDER
Max. Capacity: 5 Tons at 10,061 PSI



Parts List, Form No. 100599, Back sheet 1 of 1

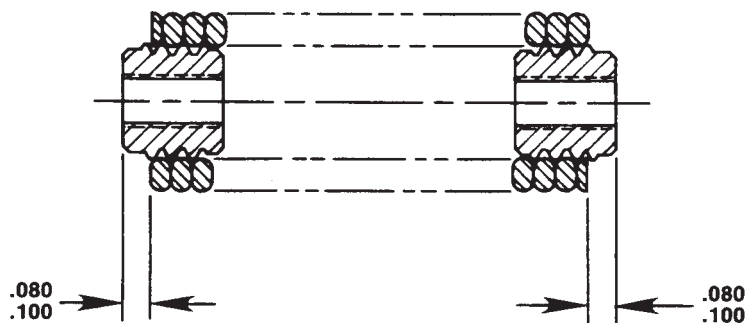
Item No.	Part No.	No. Req'd	Description
1	202178	1	Thread Adapter
2	305065	1	Retainer Nut (Torque to 40/80 in. lbs.)
3	*†201424	1	Rod Wiper
4	15122	1	Soc. Hd. Cap Screw (#10-32 X 5/8 Lg.; Torque to 50/60 in. lbs.)
5	†14319	2	Copper Washer (5/16 X 3/16 X 1/32)
6	305056	1	Piston Rod
7	16072	1	Round Retaining Ring
8	201377	1	Piston Head
9	*210391	1	U-cup Piston Seal
	†205703	1	U-cup Piston Seal
10	201373	1	Retainer Washer
11	*13653	1	Retaining Ring
12	201372	2	Spring Retainer (See diagram below)
13	201423	1	Extension Spring
14	42451	1	Cylinder Body
15	16071	1	Soc. Hd. Cap Screw (#10-32 X 1" Lg.; Torque to 50/60 in. lbs.)
16	36141	1	Thread Protector

PARTS INCLUDED BUT NOT SHOWN

9796	1	Ram Half Coupler
*203908	1	Warning Decal
420731	1	Full Coverage Decal
*†206555	1	U-cup Backup Washer
†19526	1	O-ring (1" X 3/4 X 1/8, -210; for coupler)
†205724	1	Decal (Viton)

Part numbers marked with an asterisk (*) are contained in Standard Repair Kit No. 300404.
Part numbers marked with a dagger (†) are contained in Viton Seal Kit No. 300210.

SPRING & RETAINER ASSEMBLY



Refer to any operating instructions included with this product for detailed information about operation, testing, disassembly, reassembly, and preventive maintenance.

Items found in this parts list have been carefully tested and selected. **Therefore: Use only genuine Power Team replacement parts!**

Additional questions can be directed to our Technical Services Department.