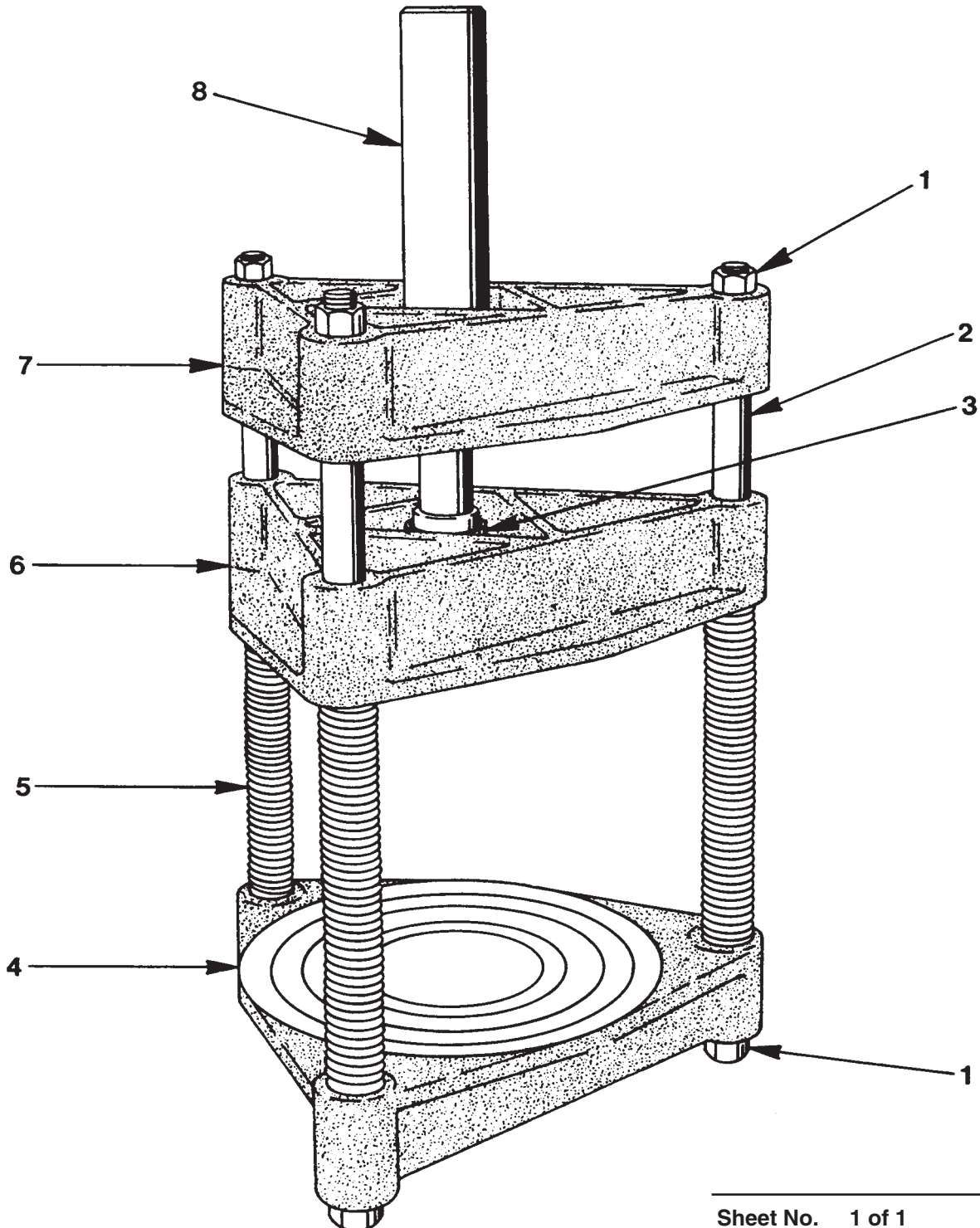


Platen Press

Capacity: 10 Tons at 8,970 PSI Max.



Item No.	Part No.	No. Req'd	Description
1	10215	6	Hex Nut (3/4-16 NF)
2	30587	3	Guide Rod
3	23667	1	Cap
4	40127	1	Bottom Plate
5	10783	3	Comp. Spring
6	40129	1	Moving Plate
7	40514	1	Top Plate
8	43143	1	Hydraulic Cylinder (See Form No. 100361)

PARTS INCLUDED BUT NOT SHOWN

36886	1	Hydraulic Hose
25599	1	Ram Half Coupler
25600	1	Hose Half Coupler
P55	1	Hyd. Hand Pump (For SPM7; See Form No. 100617)
PE172	1	Electric Pump (For SPM7E; See Form No. 100577)

Refer to any operating instructions included with the product for detailed information about operation, testing, disassembly, reassembly, and preventive maintenance.

Items found in this parts list have been carefully tested and selected. **Therefore: Use only genuine replacement parts!**

Additional questions can be directed to our Technical Services Department.