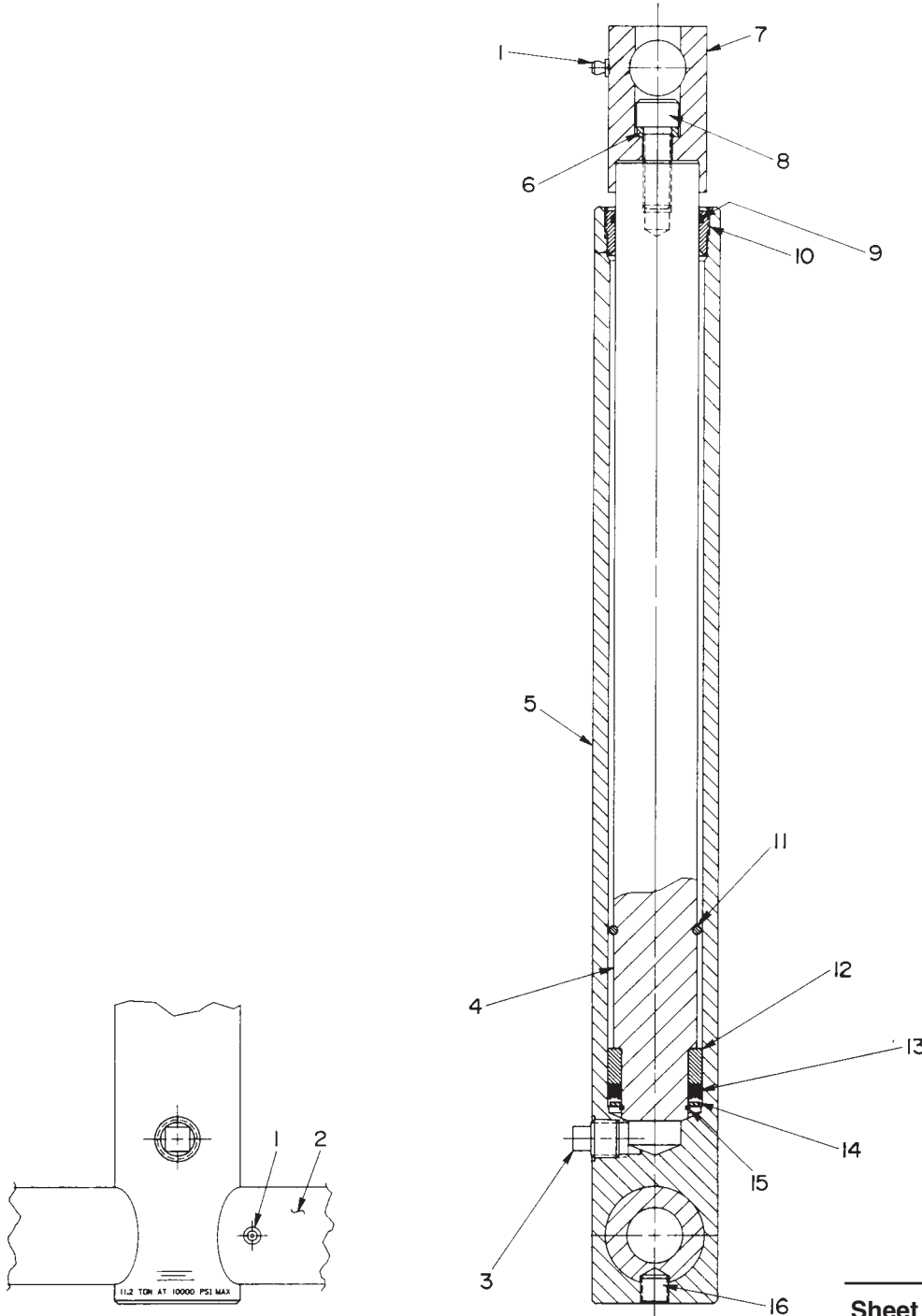


**SINGLE-ACTING, GRAVITY RETURN
 HYDRAULIC CYLINDER**
 Max. Capacity: 11.2 Tons at 10,000 PS



Parts List, Form No. 100675, Back sheet 1 of 1

Item No.	Part No.	No. Req'd	Description
1	16696	3	Grease Zerk
2	307408	1	Rear Trunnion Tube
3	11127	1	Pipe Plug
4	52903	1	Piston Rod
5	61622	1	Cylinder Body
6	16963	1	Washer
7	46797	1	Front Trunnion
8	10903	1	Soc. Hd. Cap Screw (1/2-13UNC X 1 1/2; Torque to 200-250 in. lbs.)
9	201429	1	Rod Wiper
10	201366	1	Retainer Nut (Torque to 90/100 in. lbs.)
11	201433	1	Ring
12	201364	1	Piston Head (Assemble with groove toward shoulder)
13	213660	1	U-cup Packing
14	213659	1	Packing Backup Washer
15	16076	1	Retaining Ring
16	10566	1	Set Screw (1/2-13 UNC X 1/2 Lg.)

Refer to any operating instructions included with this product for detailed information about operation, testing, disassembly, reassembly, and preventive maintenance.

Items found in this parts list have been carefully tested and selected. **Therefore: Use only genuine replacement parts!**

Additional questions can be directed to our Technical Services Department.