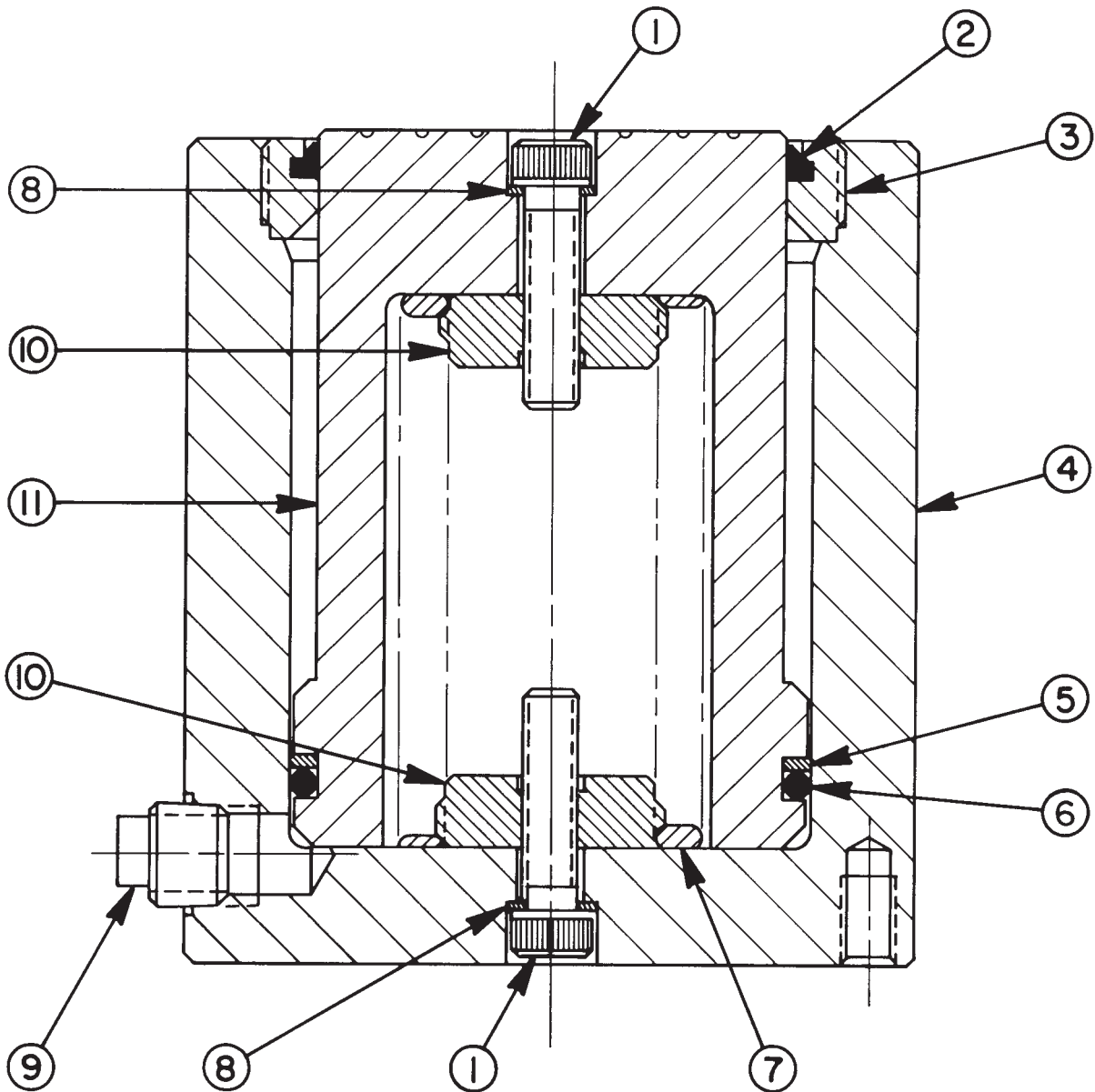


**SINGLE-ACTING, SPRING RETURN
 HYDRAULIC CYLINDER**
 Max. Capacity: 48.1 Tons At 10,000 PS



Parts List, Form No. 100681, Back sheet 1 of 1

Item No.	Part No.	No. Req'd	Description
1	10984	2	Soc. Hd. Screw (Torque to 400/425 in. lbs.)
2	*16117	1	Rod Wiper
3	43601	1	Retainer Nut (Torque to 500/525 in. lbs.)
4	46836	1	Cylinder Body
5	*207575	1	Back-up Washer
6	*207576	1	O-ring
7	207574	1	Extension Spring (Stretch, clean & lubricate before assembly)
8	*12042	2	Copper Washer
9	11127	1	Pipe Plug
10	39024	2	Spring Retainer (See diagram below)
11	†46835	1	Piston

PARTS INCLUDED BUT NOT SHOWN

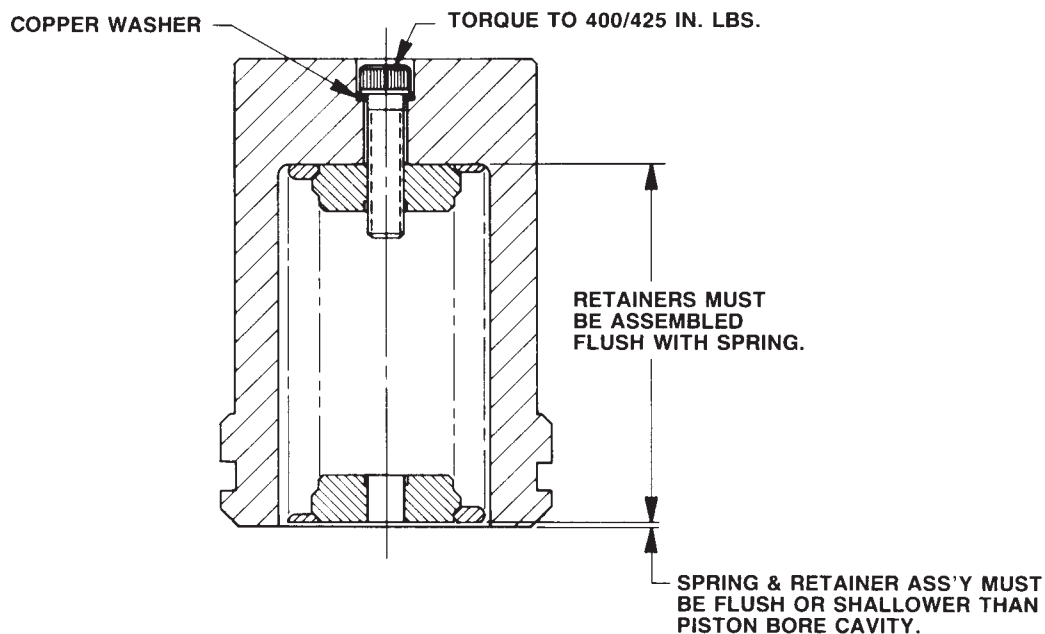
*203908 1 Decal (Warning)

Part Numbers marked with an asterisk (*) are included in Repair Kit No. 300292.

†After May 1992, piston (46835) will no longer be available.

It will be replaced by conversion kit #300619 which consists of the piston and screw.

ASSEMBLY INSTRUCTIONS



Refer to any operating instructions included with this product for detailed information about operation, testing, disassembly, reassembly, and preventive maintenance.

Items found in this parts list have been carefully tested and selected. **Therefore: Use only genuine Power Team replacement parts!**

Additional questions can be directed to our Technical Services Department.