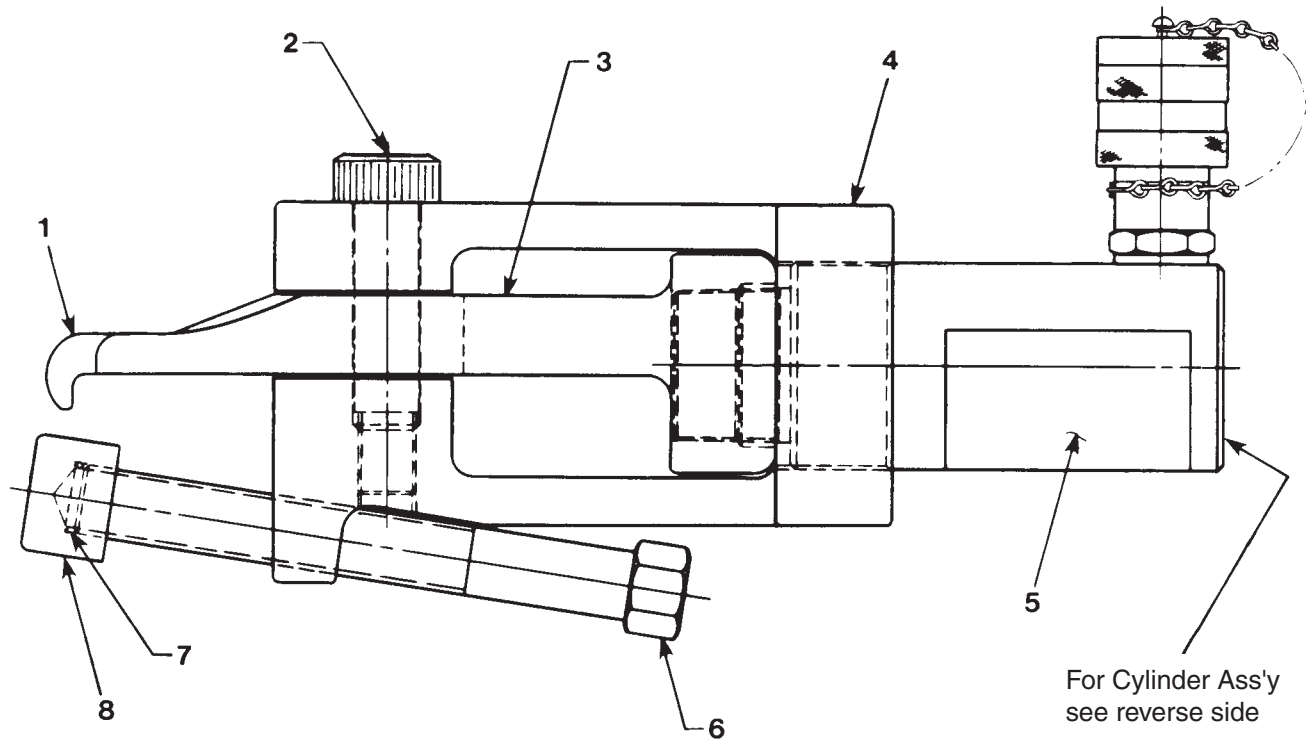


MODEL B
BEAD BREAKER
Max. Capacity: 11.2 Ton at 10,000 PSI



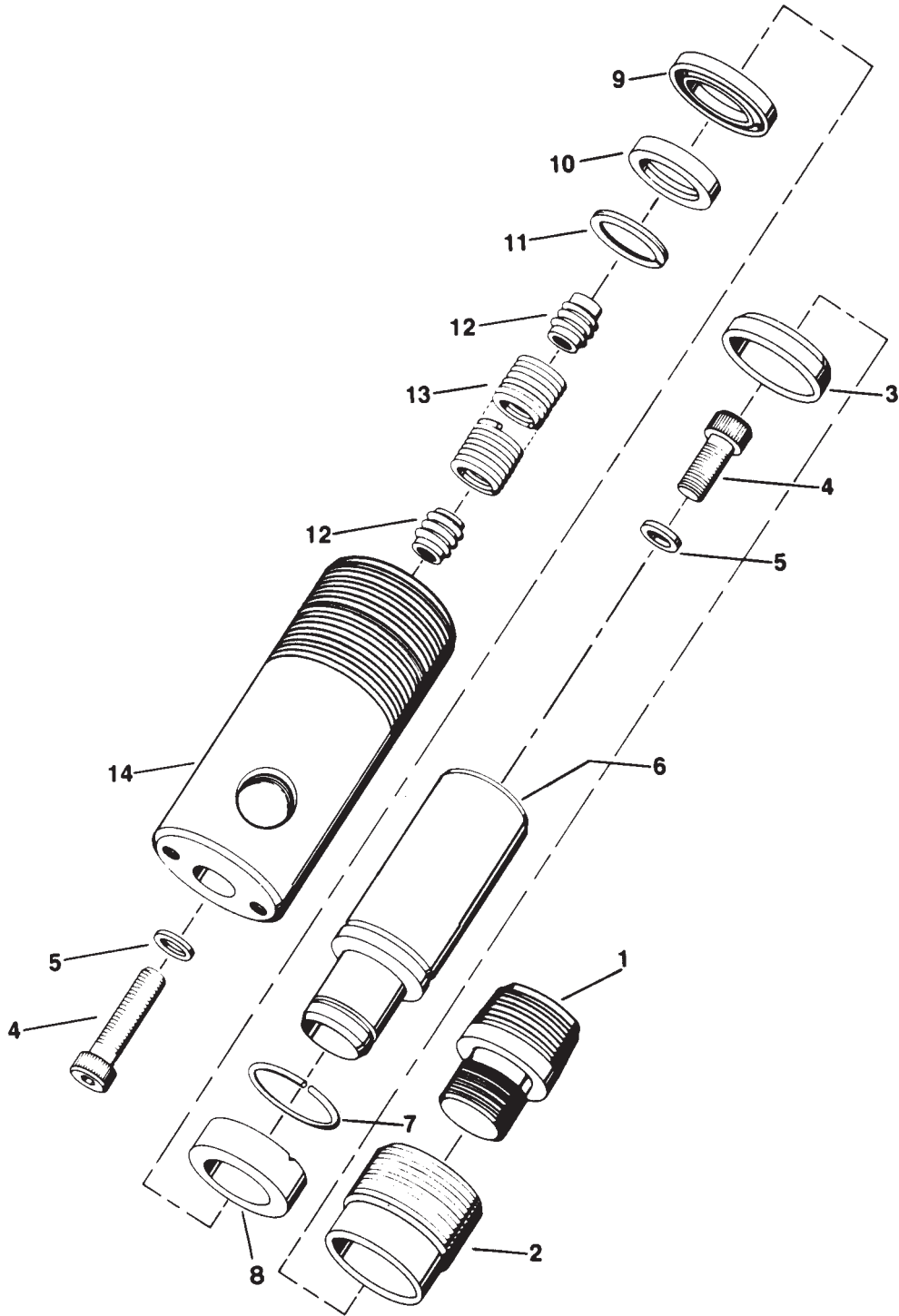
Item No.	Part No.	No. Req'd	Description
1	36958	1	Hook
2	22469	1	Soc. Hd. Shoulder Screw (5/8-11 X 2-1/4 Lg.)
3	41086	1	Clevis
4	4108	1	Frame
5	206869	1	Trade Name Decal
6	34184	1	Hex Hd. Screw
7	28705FA	1	Foot Assembly

Note: Shaded areas reflect last revision(s) made to this form.

Sheet No. 1 of 2

Rev. 1 Date: 21 April 2003

**SINGLE-ACTING, SPRING RETURN
HYDRAULIC CYLINDER**
Max. Capacity: 11.2 Tons at 10,000 PSI.



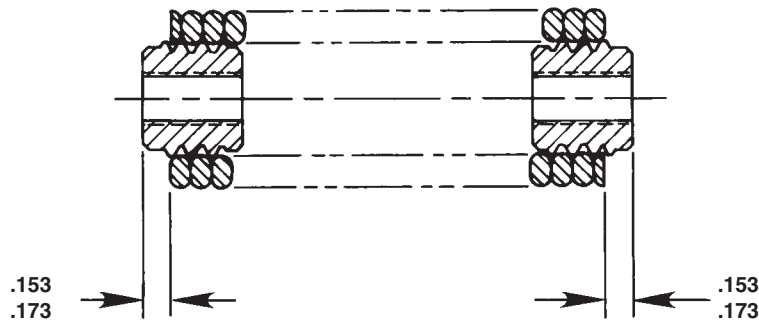
Item No.	Part No.	No. Req'd	Description
1	202179	1	Thread Adapter (Torque to 100 ft./lb.)
2	201365	1	Retainer Nut (Torque to 40/50 in./lb.)
3	*20142	1	Rod Wiper
4	10008	2	Soc. Hd. Cap Screw (1/4-20 X 3/4 Lg.; Torque to 90/110 in. lb.)
5	*10442	2	Copper Washer (3/8 X 1/4 X 1/32)
6	36087	1	Piston Rod
7	201433	1	Retaining Ring
8	201363	1	Piston Head
9	*16067	1	U-cup Piston Seal
10	201359	1	Slip Retainer
11	*16076	1	Retaining Ring
12	201360	2	Spring Retainer
13	201430	1	Extension Spring (See detail below)
14	42158	1	Cylinder Body

PARTS INCLUDED BUT NOT SHOWN

9796	1	Ram Half Coupler w/ Dust Cap
------	---	------------------------------

Part numbers marked with an asterisk (*) are contained in Repair Kit No. 300116.

SPRING & RETAINER ASSEMBLY



Refer to any operating instructions included with this product for detailed information about operation, testing, disassembly, reassembly, and preventive maintenance.

Items found in this parts list have been carefully tested and selected. **Therefore: Use only genuine Power Team replacement parts!**

Additional questions can be directed to our Technical Services Department.

Note: Shaded areas reflect last revision(s) made to this form.