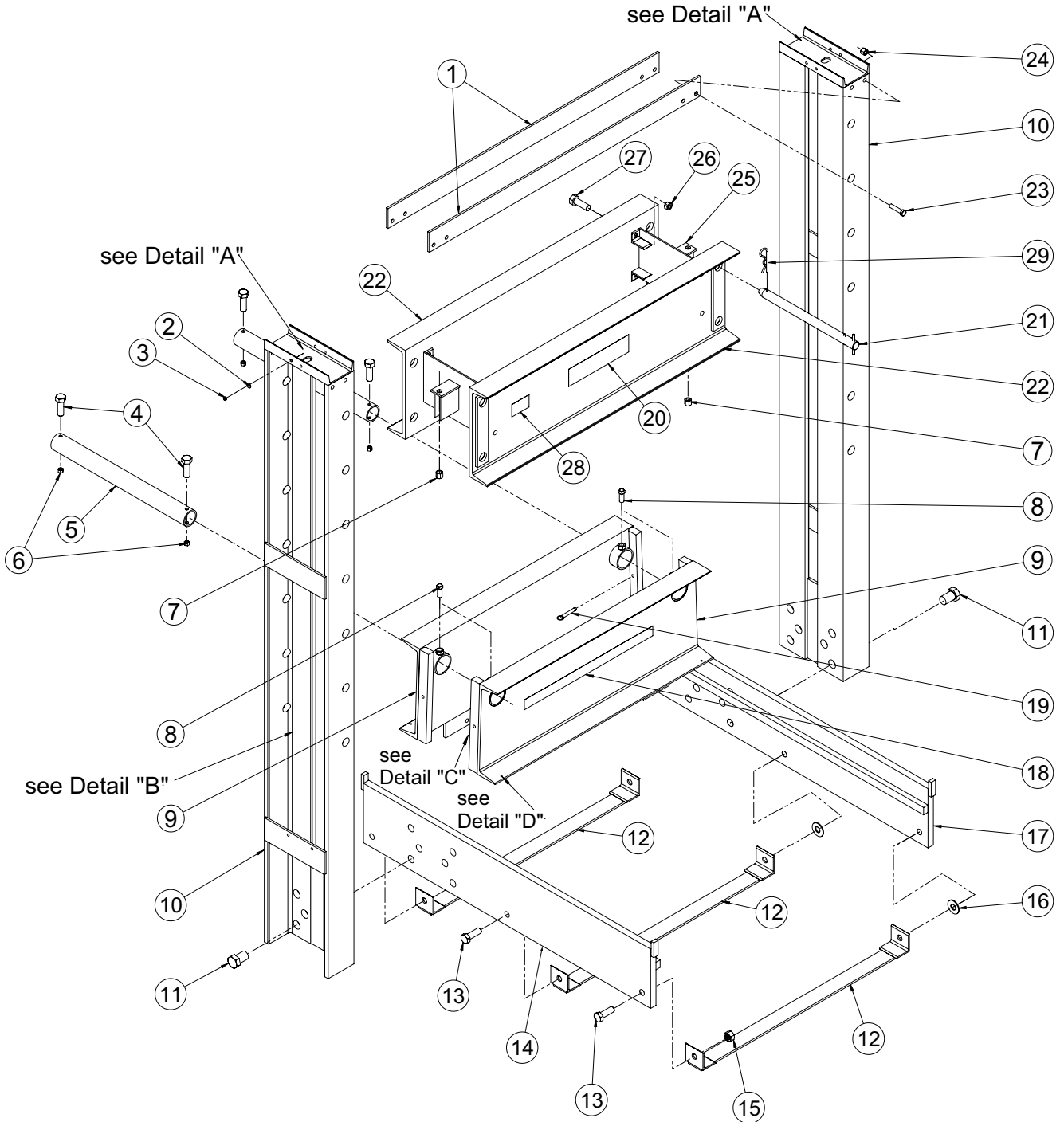


ROLL BED PRESS FRAME
 (MAX. CAPACITY: 150 / 200 TONS)



PARTS LIST

Refer to any operating instructions included with the product for detailed information about operation, testing, disassembly, reassembly, and preventive maintenance.

Items found in this parts list have been carefully tested and selected. **Therefore: Use only genuine Power Team replacement parts!**

Additional questions can be directed to one of our Technical Services Departments.

ITEM	PART NO.	DESCRIPTION	QTY.
1	45667	STRAP	2
2	10230	WASHER, PLAIN (0.38×0.89×0.08 STEL)	4
3	13116	LOCKNUT (5/16-18)	4
4	10093	SCREW, HEX CAP (1/2-13×4)	4
5	304988	GUIDE TUBE	2
6	15013	LOCKNUT (1/2-13)	4
7	206675	NUT, SPECIAL HEX (3/4-6)	2
8	210250	SET SCREW (3/4-10×1-3/4")	4
9	61211OR9	LOWER BOLSTER	2
10	61200	UPRIGHT, 200 TON ROLL BED	2
11	210256	SCREW, HHD CAP (1-1/2-6×3; Torque to 800/900 ft. lbs.)	12
12	45658	TIE STRAP	3
13	12697	CAP SCREW (1"-8×3")	6
14	52667	LEFT SIDE PLATE	1
15	22205	NUT (1"- 8)	6
16	10238	WASHER, PLAIN (1.07×2.50×0.15 STEL)	**AR
17	52668	RIGHT SIDE PLATE	1
18	45703	WARNING DECAL	1
19	15997	PIN, HITCH (.50×3.00)	2
20	36588	DECAL, TRADENAME POWER TEAM	1
21	*44466	PIN ASSEMBLY, CROSS (REPLACED WITH 44466-Kit)	4
22	523380R9	UPPER BOLSTER	2
23	19656	CAP SCREW (5/8-11×2-3/4")	8
24	15316	NUT, HEX LOCK (5/8-11; Torque to 70/80 ft. lbs.)	8
25	52340	BOLSTER SPACER	2
26	10216	NUT (3/4-10; Torque to 140/160 ft. lbs.)	8
27	10119	CAP SCREW (3/4-10×1-3/4")	8
28	206043	INSTRUCTION DECAL	1
29	*2010229	PIN, HAIRPIN COTTER (0.25×5.0)	4

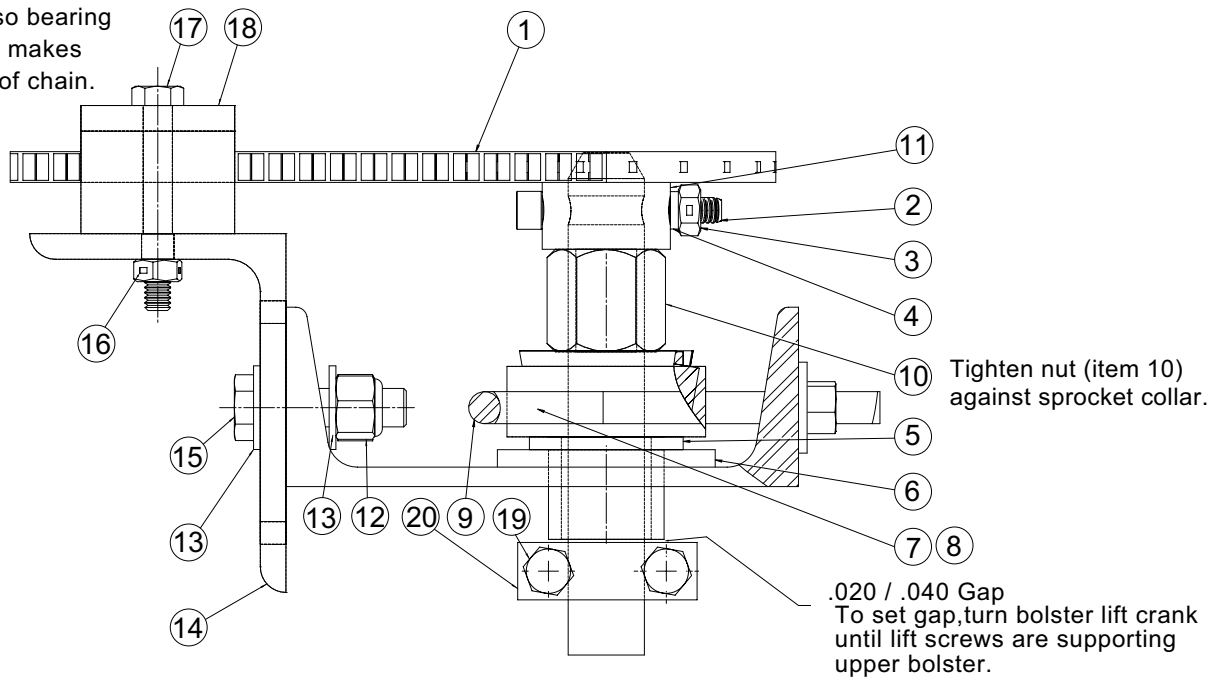
**AS REQUIRED

PART NUMBERS MARKED WITH AN (*) ARE CONTAINED IN REPAIR KIT P/N 44466-KIT

Parts List Continued

DETAIL "A"

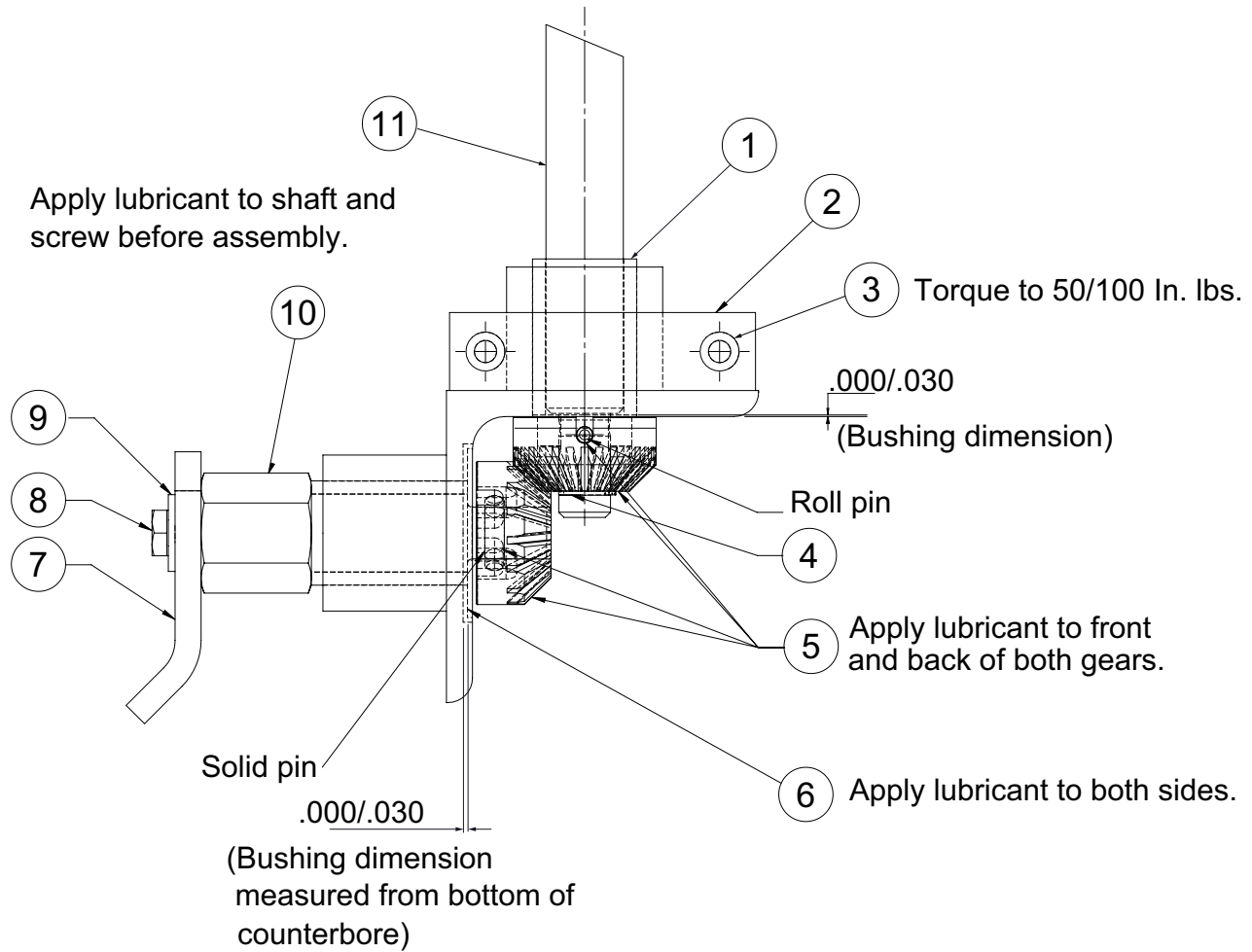
Adjust Chain guide so bearing surface of guide just makes contact with bottom of chain.



ITEM	PART NO.	DESCRIPTION	QTY.
1	210326	CHAIN, SINGLE STRAND ROLLER	1
2	10854	CAP SCREW (1/4-20×1-3/4')	2
3	12809	LOCKNUT (1/4-20)	2
4	15823	WASHER, LOCK (0.370×0.260)	2
5	19306	BEARING, FLANGE SLEEVE (.875×1.125×1)	2
6	220452	SPACER, BUSHING	2
7	210546	BEARING CONE (Apply lubricant before assembly)	2
8	210547	BEARING CUP (Apply lubricant before assembly)	2
9	210311	SCREW, U (5/16-18×3.00)	2
10	206675	NUT, SPECIAL HEX (3/4-6)	2
11	305016	BOLSTER SPROCKET	2
12	12013	NUT, HEX LOCK (3/8-16)	4
13	10258	WASHER, PLAIN (0.41×0.81×0.06 STEEL)	8
14	305938	BRACKET	2
15	10055	SCREW, HEX (3/8-16×1.50)	4
16	12809	LOCKNUT (1/4-20)	4
17	13037	CAP SCREW (1/4-20×2")	4
18	46021	BLOCK	2
19	10021	CAP SCREW (1/4-20×1-1/2") (Torque to 8/10 ft. lbs.)	4
20	309171	LOCKNUT	2

Parts List Continued

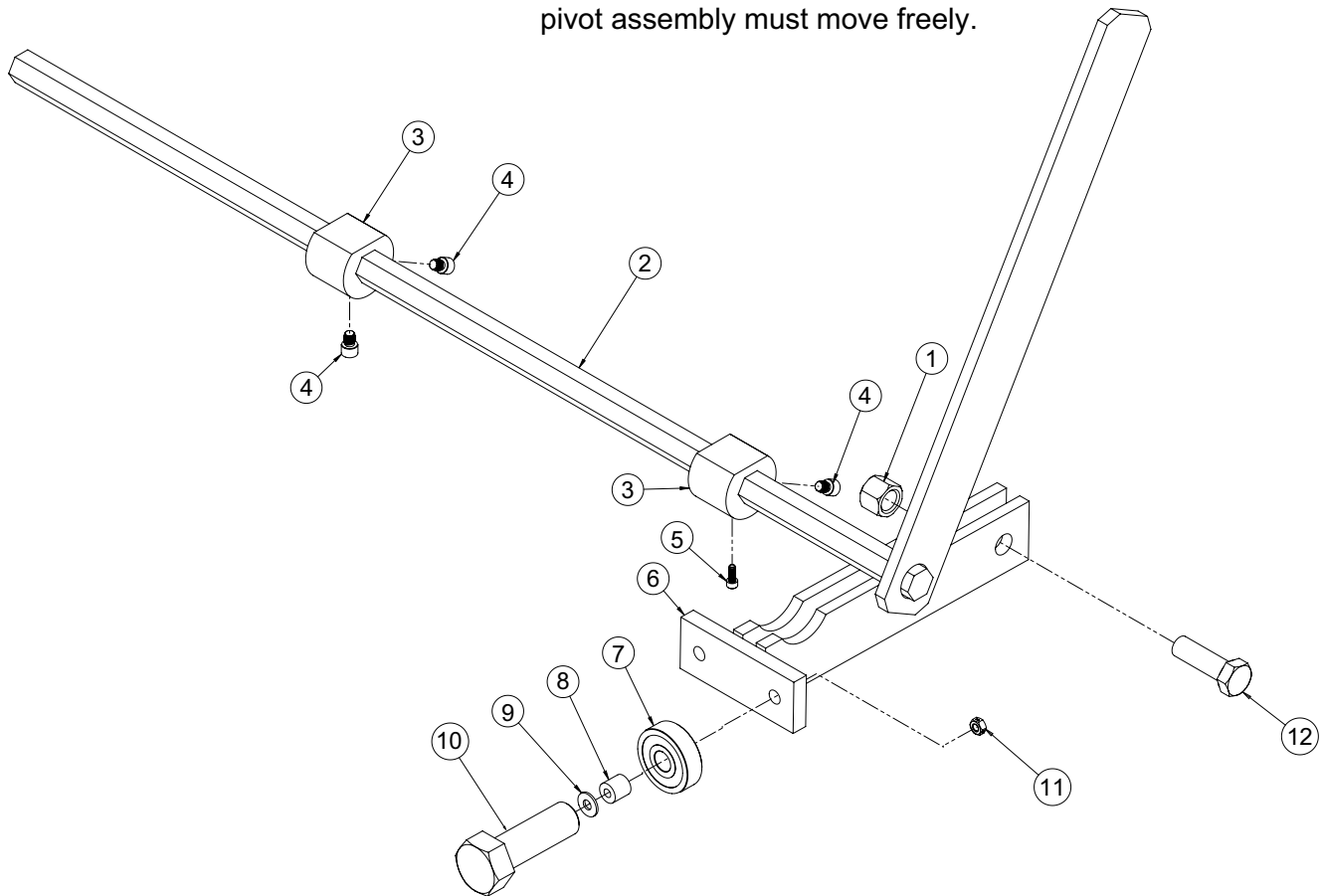
DETAIL "B"



ITEM	PART NO.	DESCRIPTION	QTY.
1	210548	BEARING, SLEEVE (.75×1.00×1.50)	2
2	47706	GEAR BRACKET	1
3	206593	SCREW, SET (3/8-16×1.00) OVAL SELF-LOCK	4
4	12108	RING, RETAIN EXT (0.46×.035)	1
5	210308	GEAR REPAIR KIT (Includes 2 miter gears, 1 solid pin, and 1 roll pin)	1
6	204269	SHIM	1
7	25852	HANDLE, ROLL BED	1
8	10005	CAP SCREW (1/4-20×1/2")	1
9	10229	WASHER, PLAIN (0.32×0.74×0.07 STEEL)	1
10	305015	SHAFT	1
11	45705	SCREW, (3/4-6×83")	2

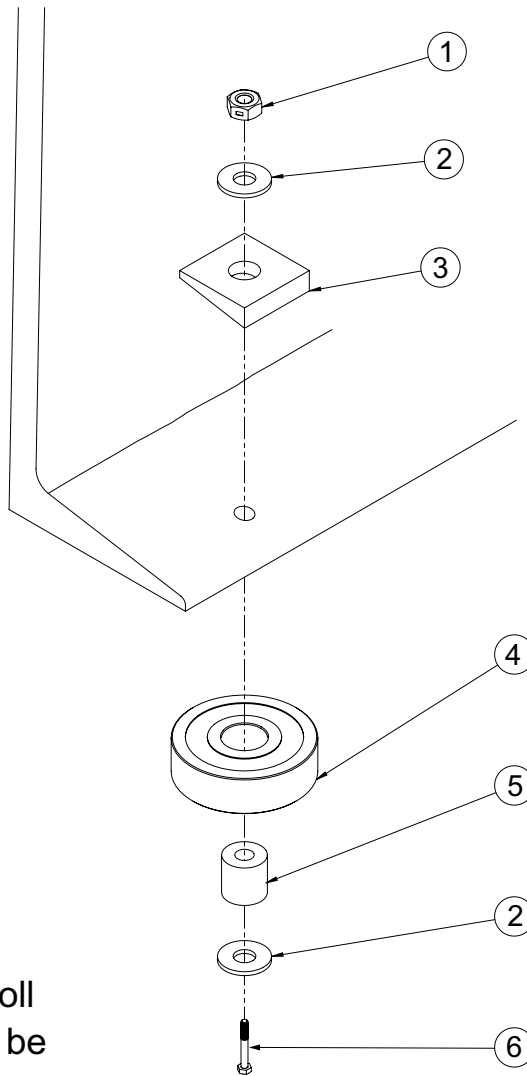
DETAIL "C"

Important: To ensure correct operation of roll bed, cap screws must be assembled as shown, and pivot assembly must move freely.



ITEM	PART NO.	DESCRIPTION	QTY.
1	15316	LOCKNUT (5/8-11; Torque to 50 ft. Lbs. and unscrew 1/2 to 1 full turn)	4
2	45654	HANDLE	2
3	304979	CAM	4
4	11006	CAP SCREW (5/16-18×3/8"; Use loctite at assembly; Torque to 20/30 ft. Lbs.)	6
5	11365	CAP SCREW (5/16-18×1"; Torque to 20/30 ft. lbs.; Screw must be assembled into drill point in item 2)	2
6	45655	BRACKET	4
7	210243	BEARING, BALL (.628×2.000×.5856)	8
8	210247	INSERT	8
9	10229	WASHER, PLAIN (0.32×0.74×0.07 STEEL)	8
10	10024	CAP SCREW (1/4-20×1-3/4")	8
11	12809	LOCKNUT (1/4-20)	8
12	19693	CAP SCREW (5/8-11×2")	4

DETAIL "D"



Important: To ensure correct operation of roll bed, cap screw must be assembled as shown.

ITEM	PART NO.	DESCRIPTION	QTY.
1	12809	LOCKNUT (1/4-20)	4
2	10229	WASHER, PLAIN (0.32×0.74×0.07 STEEL)	8
3	11625	WASHER, BEVELED SQ (1.250×0.440)	4
4	210243	BEARING, BALL (.628×2.000×.5856)	4
5	210247	INSERT	4
6	13037	SCREW, HEX CAP (1/4-20×2)	4