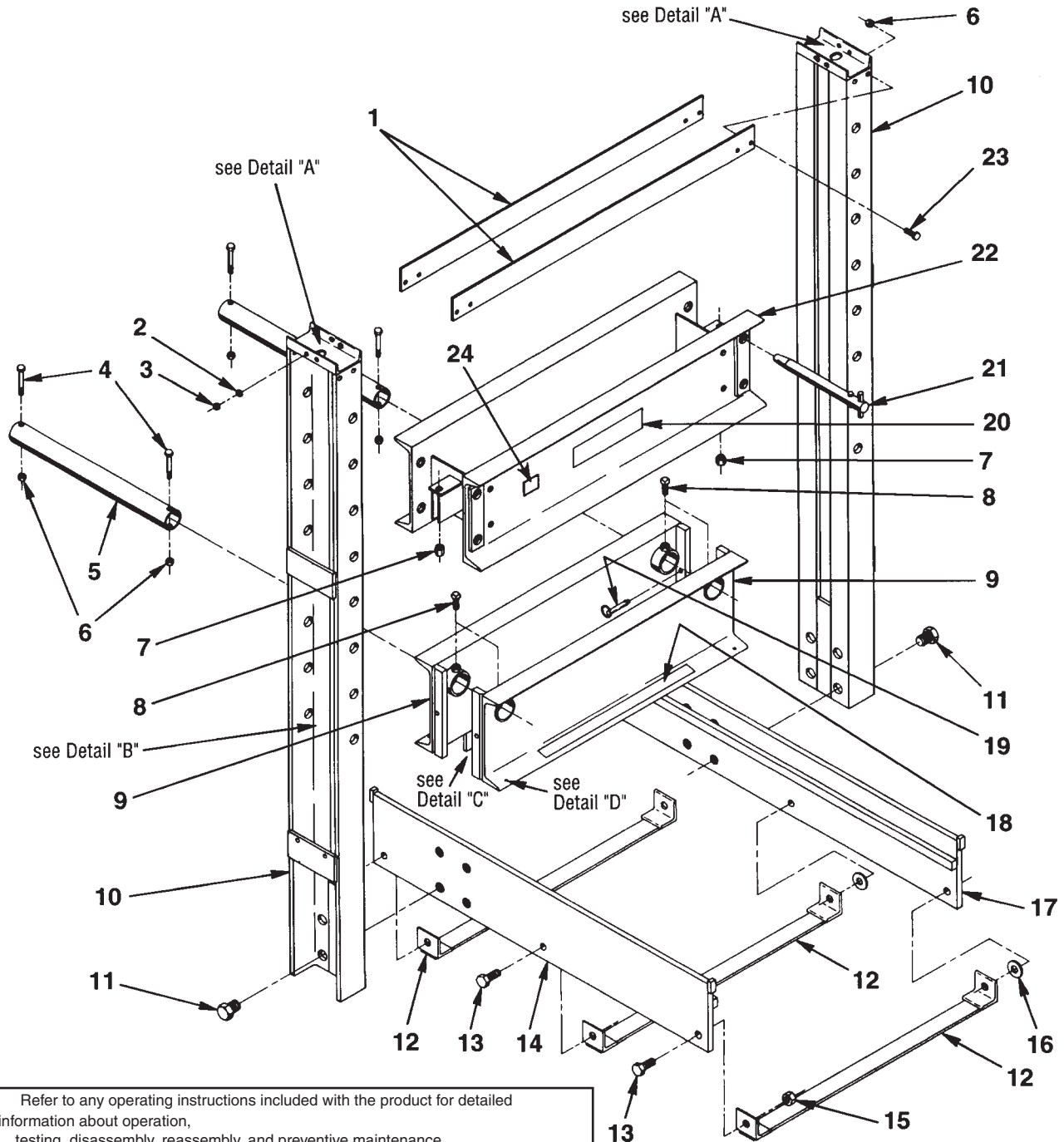


**Roll Bed Press Frame**  
Max. Capacity: 80 / 100 Tons



Refer to any operating instructions included with the product for detailed information about operation, testing, disassembly, reassembly, and preventive maintenance.

Items found in this parts list have been carefully tested and selected. **Therefore: Use only genuine replacement parts!**

Additional questions can be directed to one of our Technical Services Departments.

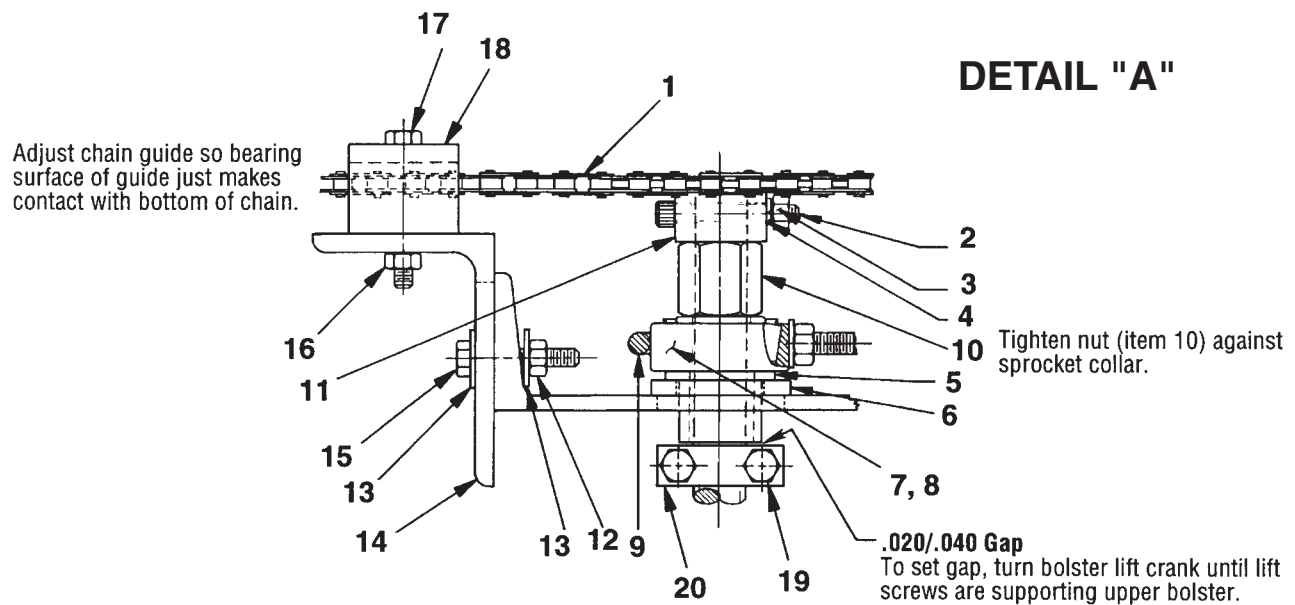
Sheet No.	1 of 2
Issue Date:	5-1-98

# Parts List, Form No. 100787, Back sheet 1 of 2

Item No.	Part No.	No. Req'd	Description
1	45656	2	Top Strap
2	10230	4	Washer (for 5/16" bolt)
3	13116	4	Locknut (5/16-18)
4	10093	4	Cap Screw (1/2-13 x 4")
5	304988	2	Guide Tube
6	15013	12	Locknut (1/2-13; torque to 70/80 ft. lbs.)
7	206675	2	Nut
8	210250	4	Set Screw (3/4-10 x 1-3/4")
9	52335OR9	2	Lower Bolster
10	61197	2	Upright
11	210244	8	Screw (torque to 800/900 ft. lbs.)
12	45658	3	Tie Strap
13	11147	6	Cap Screw (1"-8 x 2-3/4")

Item No.	Part No.	No. Req'd	Description
14	52665	1	Left Side Plate
15	22205	6	Nut (1"-8; torque to 70/80 ft. lbs.)
16	10238	*AR	Shim
17	52666	1	Right Side Plate
18	45703	1	Warning Decal
19	15997	2	Cotterless Hitch Pin
20	36588	1	Trade Name Decal
21	38166	4	Cross Pin
22	61198OR9	1	Upper Bolster
23	10085	8	Cap Screw (5/8-11 x 2-3/4")
24	206043	1	Instruction Decal

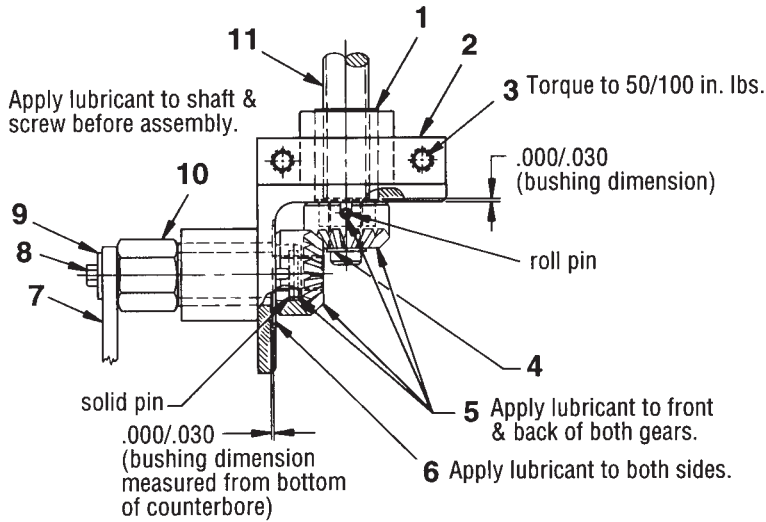
\* As required



Item No.	Part No.	No. Req'd	Description
1	210304	1	Chain
2	10854	2	Cap Screw (1/4-20 x 1-3/4")
3	12809	2	Locknut (1/4-20)
4	15823	2	Lockwasher (for 1/4" bolt)
5	19306	2	Flange Sleeve Bearing
6	220452	2	Washer
7	210546	2	Bearing Cone (apply lubricant before assembly)
8	210547	2	Bearing Cup (apply lubricant before assembly)
9	210311	2	U-bolt

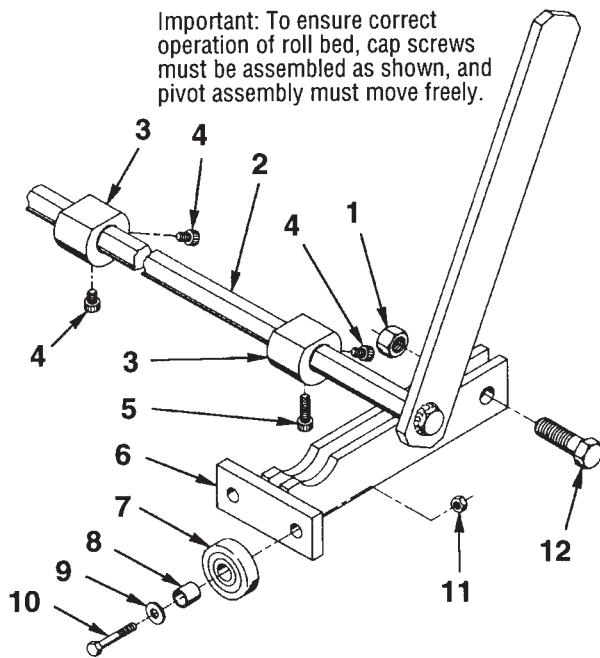
Item No.	Part No.	No. Req'd	Description
10	206675	2	Nut
11	305016	2	Bolster Sprocket
12	12013	4	Nut
13	10258	8	Washer (for 3/8" bolt)
14	305938	2	Bracket
15	10055	4	Cap Screw
16	12809	4	Locknut (1/4-20)
17	13037	4	Cap Screw (1/4-20 x 2")
18	46021	2	Chain Guide
19	10021	4	Cap Screw (1/4-20 x 1-1/2")
20	309171	2	Locknut

**DETAIL "B"**



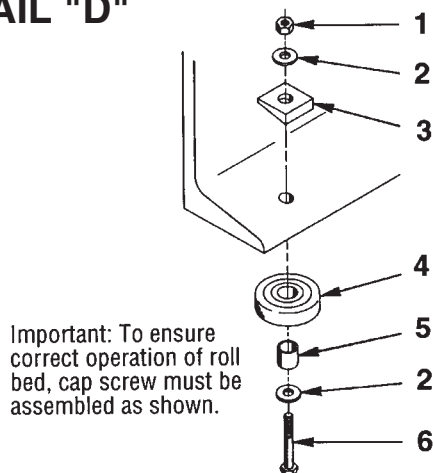
Item No.	Part No.	No. Req'd	Description
1	210548	2	Sleeve Bearing
2	45681	1	Gear Bracket
3	206593	4	Set Screw
4	12108	1	Retaining Ring
5	210308	1	Gear Repair Kit (includes 2 miter gears, 1 solid pin, and 1 roll pin)
6	204269	1	Shim
7	25852	1	Crank Handle
8	10005	1	Cap Screw (1/4-20 x 1/2")
9	10229	1	Washer (for 1/4" bolt)
10	305015	1	Shaft
11	45682	2	Lifting Screw

**DETAIL "C"**



Item No.	Part No.	No. Req'd	Description
1	15316	4	Locknut (5/8-11; torque to 50 ft. lbs. and unscrew 1/2 to 1 full turn)
2	45654	2	Cam Lever
3	304979	4	Cam
4	11006	6	Set Screw (5/16-18 x 3/8"; use loctite at assembly; torque to 20/30 ft. lbs.)
5	11365	2	Cap Screw (5/16-18 x 1"; torque to 20/30 ft. lbs.; screw must be assembled into drill point in item 2)
6	45655	4	Roll Bracket
7	210243	8	Bearing
8	210247	8	Insert
9	10229	8	Washer (for 1/4" bolt)
10	10024	8	Cap Screw (1/4-20 x 1-3/4")
11	12809	8	Locknut (1/4-20)
12	19693	4	Cap Screw (5/8-11 x 2")

**DETAIL "D"**



Item No.	Part No.	No. Req'd	Description
1	12809	4	Locknut (1/4-20)
2	10229	8	Washer (for 1/4" bolt)
3	11625	4	Beveled Washer
4	210243	4	Guide Bearing
5	210247	4	Insert
6	13037	4	Cap Screw (1/4-20")