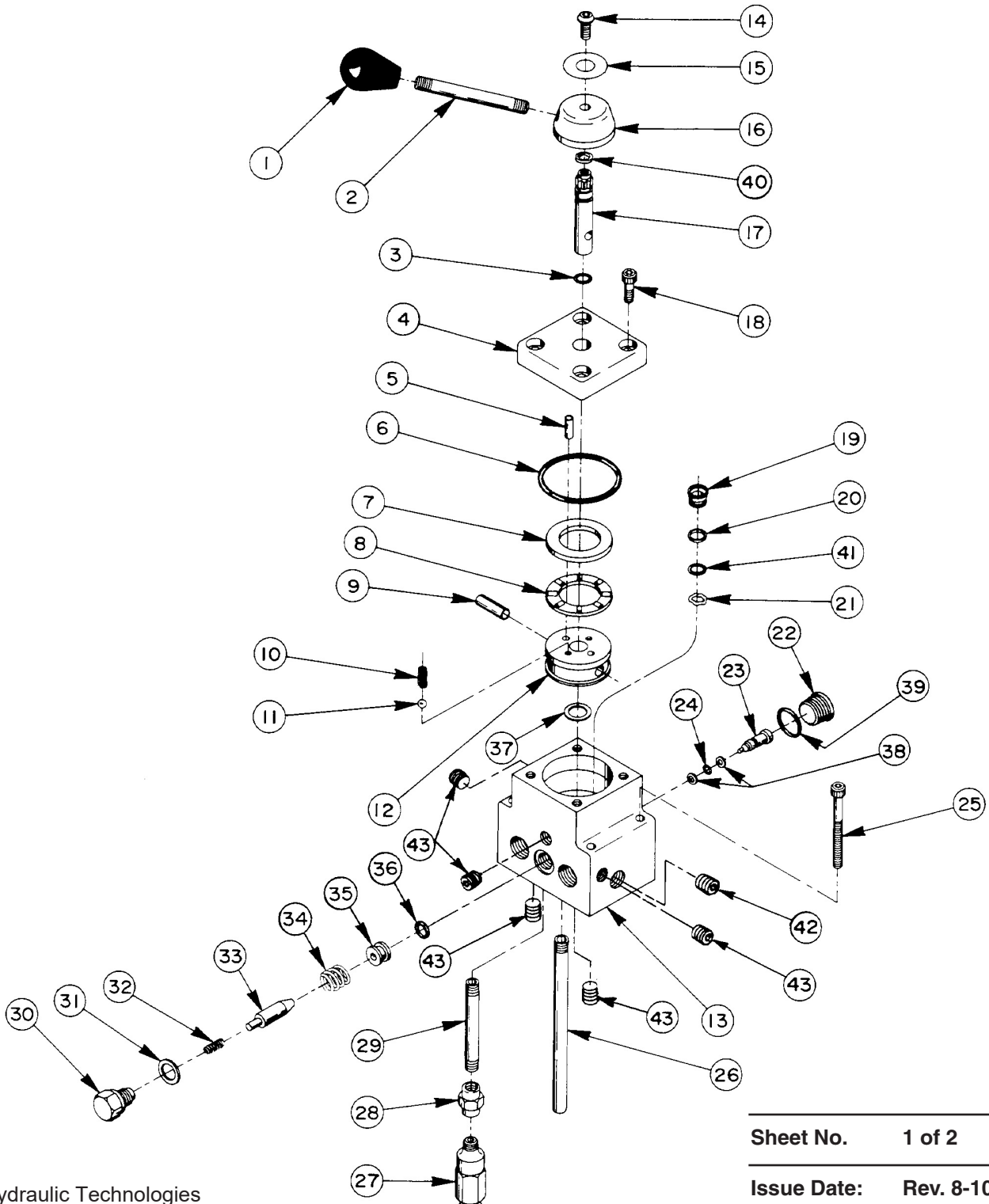


**MODEL B  
VALVE ASSEMBLY**



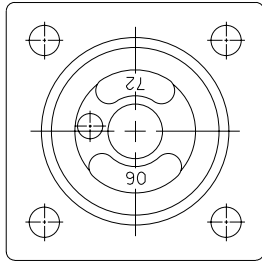
# Parts List, Form No. 100812, Back sheet 1 of 2

Item No.	Part No.	No. Req'd	Description	Item No.	Part No.	No. Req'd	Description
1	211911	1	Plastic Knob	26	200609	1	Drain Tube
2	21639	1	Stud	27	21278-57	1	Relief Valve
3	*13943	1	O-ring (1/2 x 3/8 x 1/16; Disogrin)	28	18841	1	Straight Fitting
	11439	1	O-ring (1/2 x 3/8 x 1/16; Viton)	29	12891-1	1	Pipe Nipple
	17716	1	O-ring (1/2 x 3/8 x 1/16; EPR)	30	307136	1	Valve Screw (Torque to 250/280 in. lbs.)
4	61343	1	End Cap	31	*14874	1	Copper Washer (1/2" bolt)
5	250056	1	Pin (7/32 dia.)	32	11024	1	Compression Spring (1/4 O.D. x 5/8 Lg.)
6	*15892	1	O-ring (1.72 x 1.5 x .118; Nitrile)	33	250020	1	Poppet
	19097	1	O-ring (1.72 x 1.5 x .118; Viton)	34	250022	1	Compression Spring (7/16 O.D. x 13/32 Lg.)
	212887	1	O-ring (1.72 x 1.5 x .118; EPR)	35	250021	1	Replaceable Seat
7	11227-1	1	Thrust Bearing Washer	36	14763	1	O-ring (7/16 x 5/16 x 1/16; Disogrin)
8	11228	1	Roller Thrust Bearing		18974	1	O-ring (7/16 x 5/16 x 1/16; Viton)
9	10496	1	Roll Pin (5/16 dia. x 1" Lg.)		13472	1	O-ring (7/16 x 5/16 x 1/16; EPR)
10	15691	1	Compression Spring (1/4 O.D. x 5/8 Lg.)	37	214801	1	Spacer
11	10375	1	Ball (1/4 dia.)	38	*207354	2	Backup Washer (.64 x .5 x .087, -908)
12	306032	1	Rotor	39	*215193	1	O-ring (13/16 x 5/8 x 3/32; Disogrin)
13	64010	1	Valve Body		18999	1	O-ring (13/16 x 5/8 x 3/32; Viton)
14	15911	1	Cap Screw (1/4-20 x 5/8 Lg.; Torque to 60/80 in. lbs.)		250157	1	O-ring (13/16 x 5/8 x 3/32; EPR)
15	*211936	1	Decal	40	*213674	1	V-Packing (Fill the open cavity inside the V-packing with grease)
16	46057	1	Stem End	41	*10268	3	O-ring (1/2 x 3/8 x 1/16; Nitrile)
17	46048	1	Stem		11439	3	O-ring (1/2 x 3/8 x 1/16; Viton)
18	11013	4	Cap Screw (5/16-18 x 1" Lg.; Torque to 300/320 in. lbs.)		17716	3	O-ring (1/2 x 3/8 x 1/16; EPR)
19	202480	3	Shear Seal	42	14972	1	Pipe Plug (1/4 NPTF)
20	*11863	3	Backup Washer (1/2 x 3/8 x 1/16)	43	15130	5	Pipe Plug (1/16 NPTF)
21	21975	3	Spring Washer				
22	214014	1	Plug				
23	214015	1	Piston				
24	*12099	1	O-ring (9/32 x 5/32 x 1/16; Nitrile)				
	18972	1	O-ring (9/32 x 5/32 x 1/16; Viton)				
	251399	1	O-ring (.281 x .156 x .062; EPR)				
25	10856	4	Cap Screw (1/4-20 x 2-1/2 Lg.) Note: When using this valve on a PE30 Series pump order (4) 11956 Cap Screws for mounting valve to pump.				

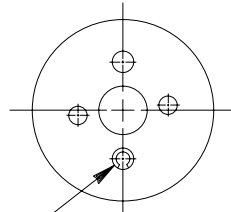
Part numbers marked with an asterisk (\*) are contained in Repair Kit No. 300571.

Note: Shaded areas reflect last revision(s) made to this form.

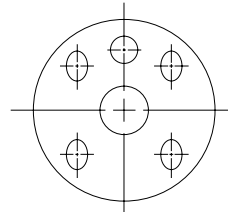
**SPECIFICATIONS**  
**on**  
**#9628**  
**PUMP MOUNTED MANUAL DETENTED**  
**3 POSITION, 4-WAY TANDEM CENTER VALVE**  
**with "B" Port Pressure Control and Release System.**  
**(2.15 to 1 Ratio Ref.)**



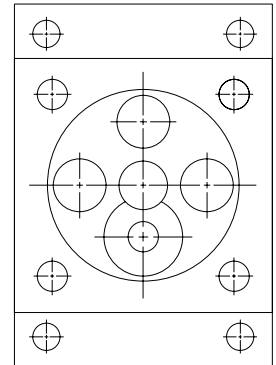
END CAP  
BOTTOM VIEW



ROTOR  
TOP VIEW



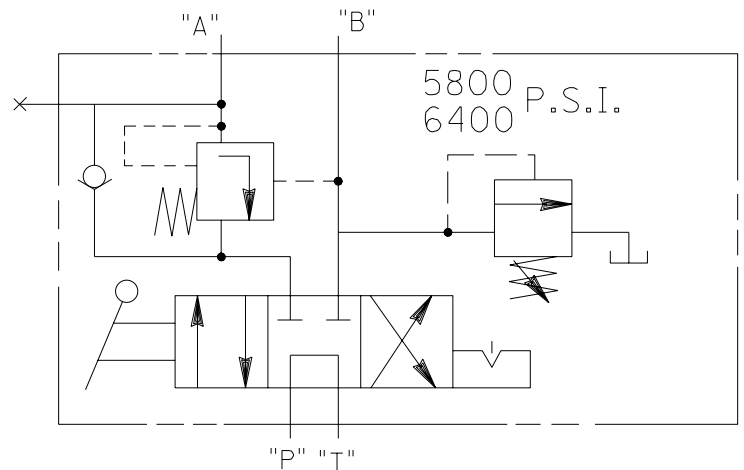
ROTOR  
BOTTOM VIEW



VALVE BODY  
TOP VIEW

ROLL PIN LOCATION  
(POSITION OPENING AS SHOWN)  
INTERNAL ASSEMBLY ORIENTATION OF PARTS

FUNCTION:  
 CENTER POSITION:  
 "A" AND "B" PORTS BLOCKED, PRESSURE PORT TO TANK.  
 "A" POSITION:  
 PRESSURE TO "A" PORT, "B" PORT TO TANK.  
 "B" POSITION:  
 PRESSURE TO "B" PORT (CONTROLLED TO 6400 P.S.I. MAX.) "A" PORT TO HOLD UNTIL PRESSURE RATIO IS OBTAINED AND THEN RELEASES TO TANK. "A" PORT WILL REMAIN OPEN AS LONG AS "B" PORT MAINTAINS PRESSURE RATIO.  
 NOTE: "A" PORT IS BLOCKED WITH "B" AND "P" PORTS OPEN TO TANK DURING TRANSITION BETWEEN VALVE POSITIONS. PRESSURE RATIO IS THE PRESSURE DIFFERENTIAL IN THE "A" AND "B" PORTS.



**HYDRAULIC SCHEMATIC**

Refer to any operating instructions included with this product for detailed information about operation, testing, disassembly, reassembly, and preventive maintenance.

Items found in this parts list have been carefully tested and selected. **Therefore: Use only genuine replacement parts!**

Additional questions can be directed to our Technical Services Department.