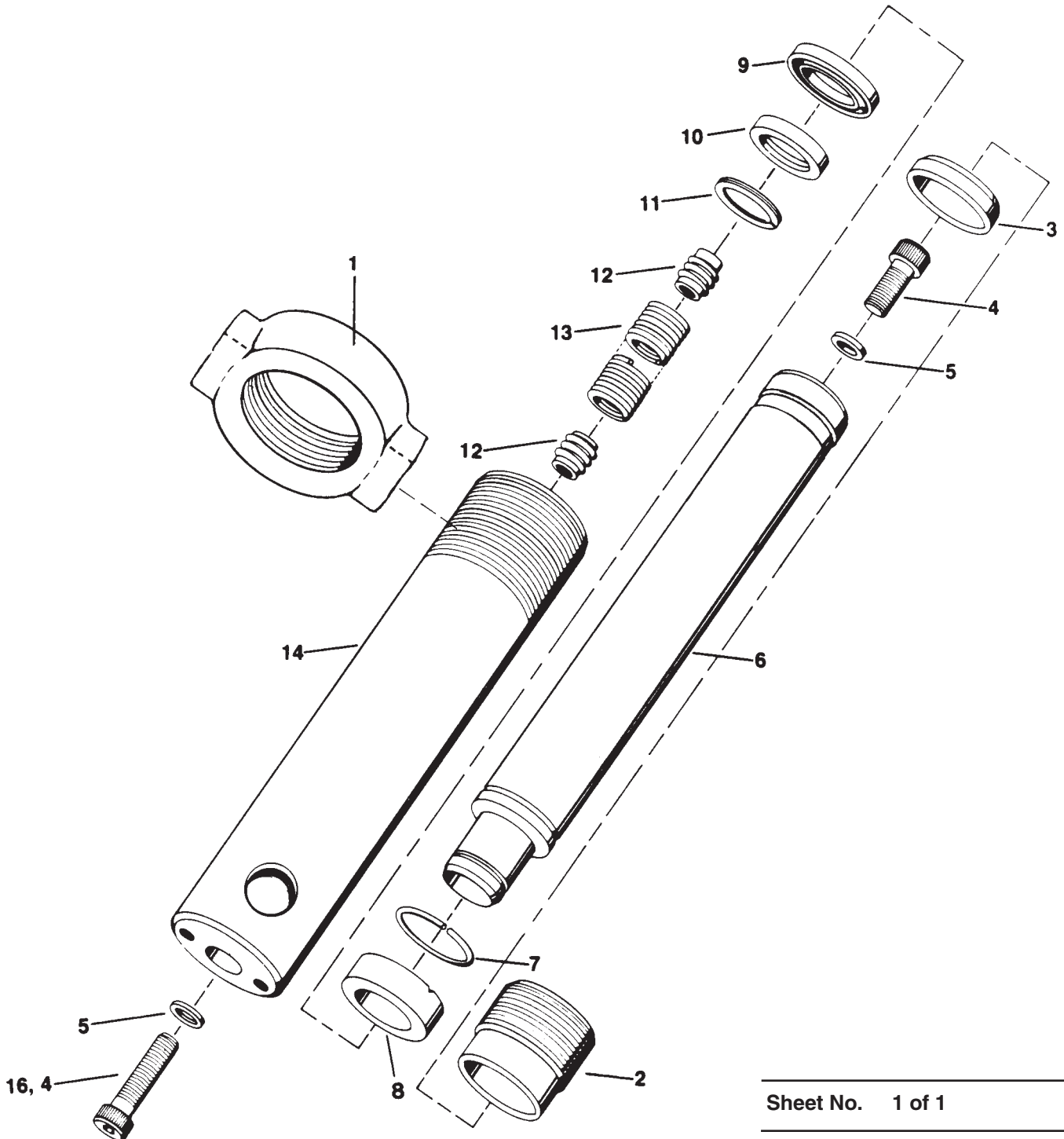


**SINGLE-ACTING, SPRING RETURN
HYDRAULIC CYLINDER**
Max. Capacity: 11.2 Tons at 10,000 PSI



Parts List, Form No. 101211, Back sheet 1 of 1

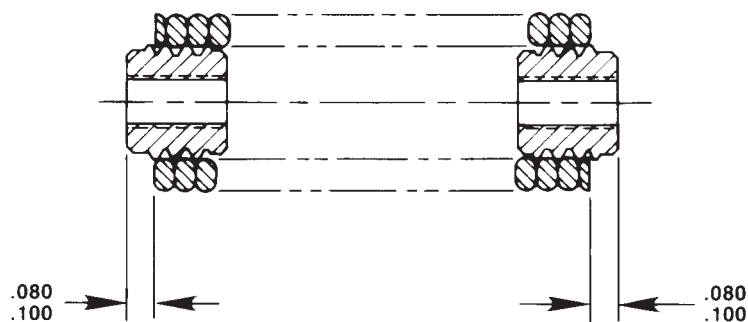
Item No.	Part No.	No. Req'd	Description
1	TO-100-18	1	Trunion
2	201366	1	Retainer Nut
3	†*201429	1	Rod Wiper
4	10006	1	Soc. Hd. Cap Screw (1/4-20 x 5/8 Lg.; Torque to 90/110 in. lbs.)
5	†*10442	2	Copper Washer
6	420129	1	Piston Rod
7	201433	1	Retaining Ring
8	201364	1	Piston Head
9	*16067	1	U-cup Piston Seal
	†205704	1	U-cup
10	201359	1	Slip Retainer
11	*16076	1	Retaining Ring
12	201360	2	Spring Retainer
13	201432	1	Extension Spring
14	420130	1	Cylinder Body
15	16064	1	Soc. Hd. Cap Screw (1/4-20 x 3-1/2 Lg.; Torque to 90/110 in. lbs.)

PARTS INCLUDED BUT NOT SHOWN

*203908	1	Warning Decal
25600	1	Ram Half Coupler
†19526	1	O-ring (1" x 3/4 x 1/8, -210; for coupler)
†206554	1	U-cup Backup Washer (-23)
†205724	1	Decal (Viton)

Part numbers marked with an asterisk (*) are contained in Standard Repair Kit No. 300116.
 Part numbers marked with a dagger (†) are contained in Viton Seal Kit No. 300211.

SPRING AND RETAINER ASSEMBLY



The spring must not extend beyond the threads of the spring retainer on either end. Stretch, clean and lubricate the spring before assembly.

Refer to any operating instructions included with this product for detailed information about operation, testing, disassembly, reassembly, and preventive maintenance.

Items found in this parts list have been carefully tested and selected. **Therefore: Use only genuine replacement parts!**

Additional questions can be directed to our Technical Services Department.