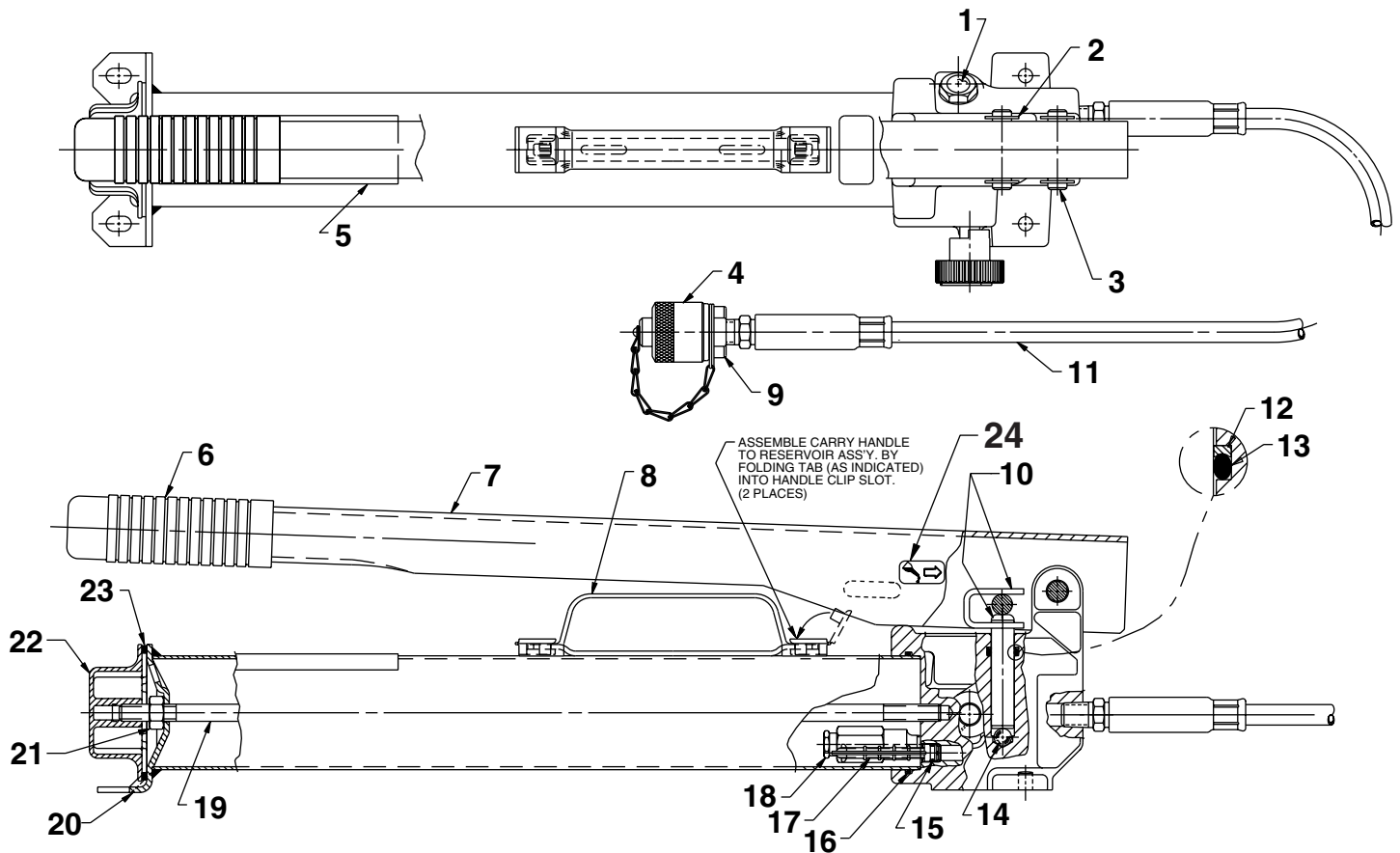


**SINGLE STAGE
 HYDRAULIC HAND PUMP**
 Max. Capacity: 9,000 PSI



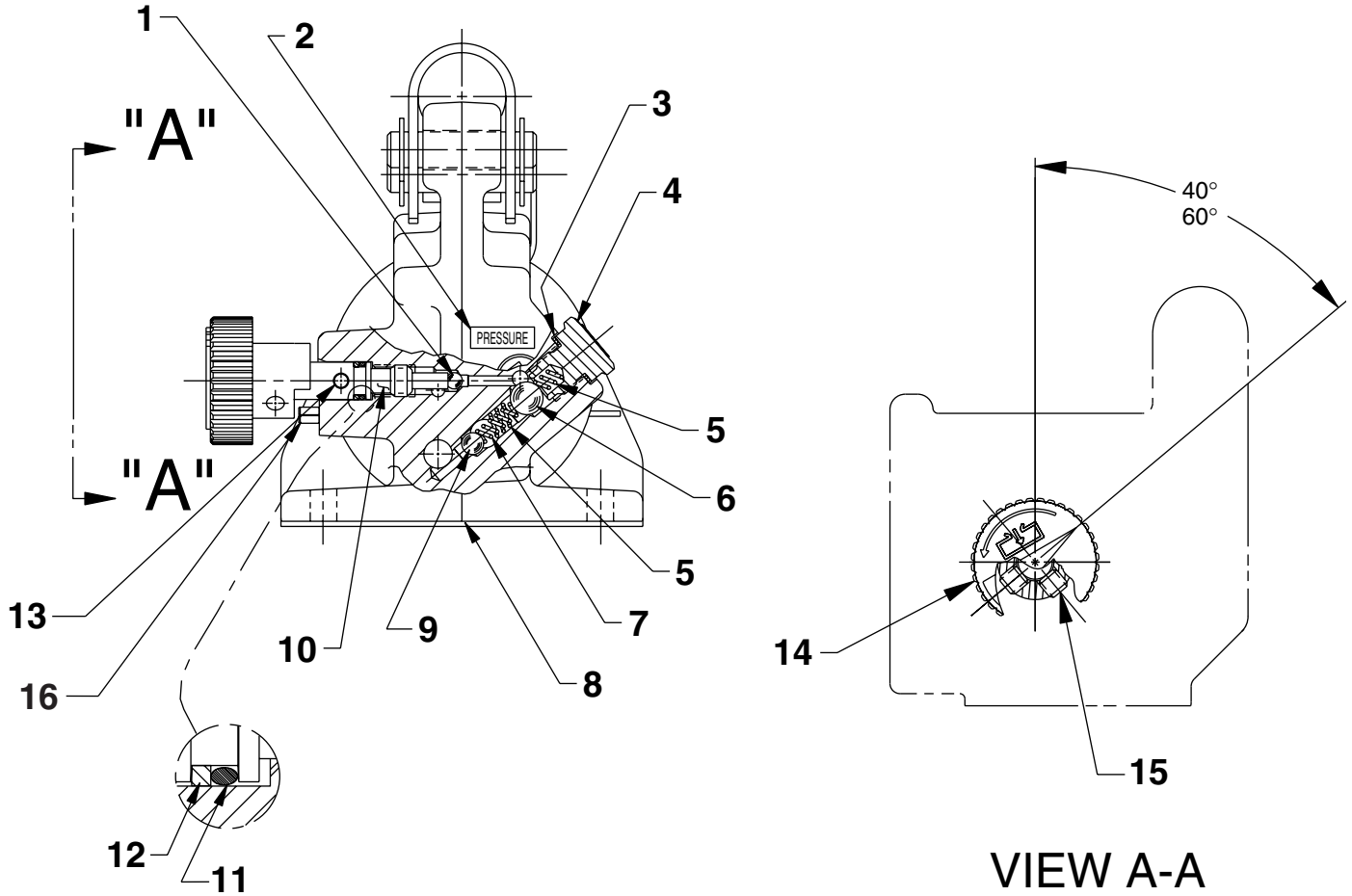
Parts List, Form No. 101212, Back sheet 1 of 2

Item No.	Part No.	No. Req'd	Description
1	*215907	1	Decal (Do Not Remove)
2	211743	4	Retaining Ring (NOTE: Expand retaining ring to .440 dia. max. during installation.)
3	211742	2	Dowel Pin (7/16 dia. x 1-3/4 Lg.)
4	9799	1	Dust Cap
5	305977	1	Warning Decal
6	211769	1	Handle Grip
7	61287BL2	1	Handle
8	58048	1	Carry Handle
9	25599	1	Hose Half Coupler
10	211468	1	Piston Assembly
11	39910	1	Hydraulic Hose
12	*213987	1	O-ring Backup Washer (Assemble with concave surface towards o-ring)
13	*10271	1	O-ring
14	10378	1	Steel Ball (3/8 dia.)
15	*12557	1	O-ring (11/32 x 7/32 x 1/16)
16	*211495	1	O-ring (2-11/16 x 2-1/2 x 3/32)
17	*215075	1	Plug Filter
18	21278-90	1	Relief Valve Assembly (Set at 9,100/9,700 PSI)
19	211547	1	Tie Rod (Note: Screw in the tie rod until it bottoms out in pump body.)
20	350081	1	Reservoir Assembly
21	10204	1	Hex Nut (3/8-16; Torque to 150/170 in. lbs.)
22	52711	1	Reservoir Cap (Torque to 50/60 in. lbs.)
23	*212739	1	Fill Cap Gasket
24	253234	1	Decal (Oil Pivot Pins)

Part numbers marked with an asterisk (*) are contained in Repair Kit No. 300450.

Note: Shaded areas reflect last revision(s) made to this form.

PUMP END VIEW AND SECTION A-A



Item No.	Part No.	No. Req'd	Description
1	*12223	1	Ball (3/16 dia.)
2	215301	1	Decal (Pressure)
3	*14874	1	Copper Washer
4	305975	1	Valve Screw (Torque to 350/370 in. lbs.)
5	*10444	2	Compression Spring
6	*10378	1	Steel Ball (3/8 dia.)
7	*211797	1	Compression Spring
8	61295	1	Pump Body (Includes pin [Item #16])
9	*10375	1	Steel Ball (1/4 dia.)
10	350185	1	Release Valve Screw
11	*10267	1	O-ring (7/16 x 5/16 x 1/16)

Item No.	Part No.	No. Req'd	Description
12	*15085	1	O-ring Backup Washer
13	15528	1	Nylon Ball (Push in nylon ball until it bottoms out in hole. Permissible to flatten ball during installation.)
14	351087	1	Knob (Note: Screw in valve stem until seated. Then position knob as shown approx. 1/16" from casting surface. Lock in place with set screws.)
15	10556	2	Set Screw (1/4-20 x 1/4 Lg.; Torque to 50/70 in. lbs.)
16	10714	1	Slotted Spring Pin (.19 x .63; Included with pump body [Item #8])

Part numbers marked with an asterisk (*) are contained in Standard Repair Kit No. 300450.

Refer to any operating instructions included with this product for detailed information about operation, testing, disassembly, reassembly, and preventive maintenance.

Items found in this parts list have been carefully tested and selected. **Therefore: Use only genuine Power Team replacement parts!**

Additional questions can be directed to our Technical Services Department.

Note: Shaded areas reflect last revision(s) made to this form.