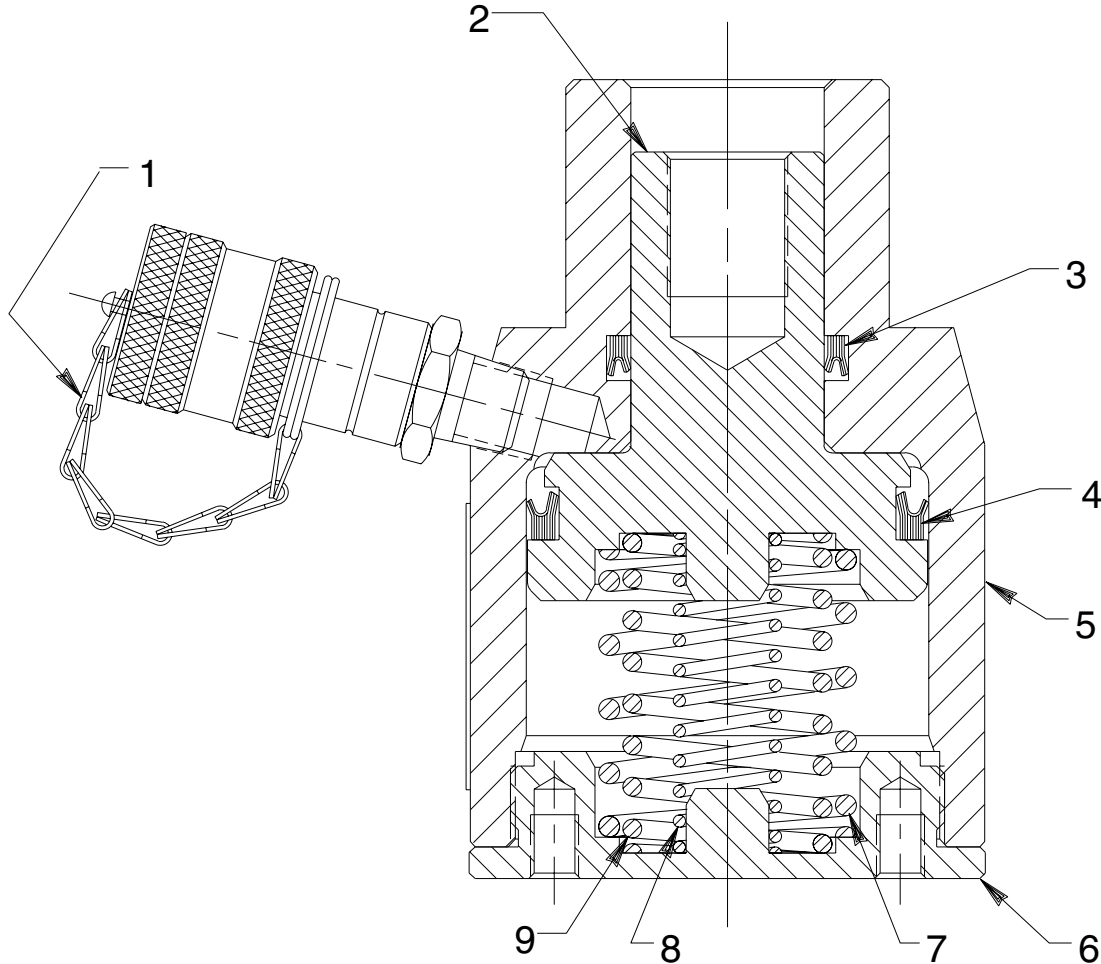


**SINGLE-ACTING, SPRING RETURN, PULL
HYDRAULIC CYLINDER**
Max. Capacity: 29.58 Ton at 10,000 PSI



Item No.	Part No.	No. Req'd	Description
1	25600	1	Ram Half Coupler
2	420207	1	Piston Rod
3	16721	1	U-cup (1-7/8 x 1-1/2 x 5/16)
4	250375	1	U-cup (3-1/8 x 2-5/8 x 3/8)
5	420206	1	Cylinder Body
6	420208	1	Retainer Nut (Torque to 50/60 ft. lbs.)
7	250374	1	Compression Spring (2" O.D. x 3-1/2 Lg.)
8	250372	1	Compression Spring (57/64 O.D. x 3-1/2 Lg.)
9	250373	1	Compression Spring (1-5/8 O.D. x 4.30 Lg.)

PARTS INCLUDED BUT NOT SHOWN

203908	1	Warning Decal
250376	1	Trade Name Decal

Sheet No. 1 of 1

Rev. Date: 15 Feb. 1991