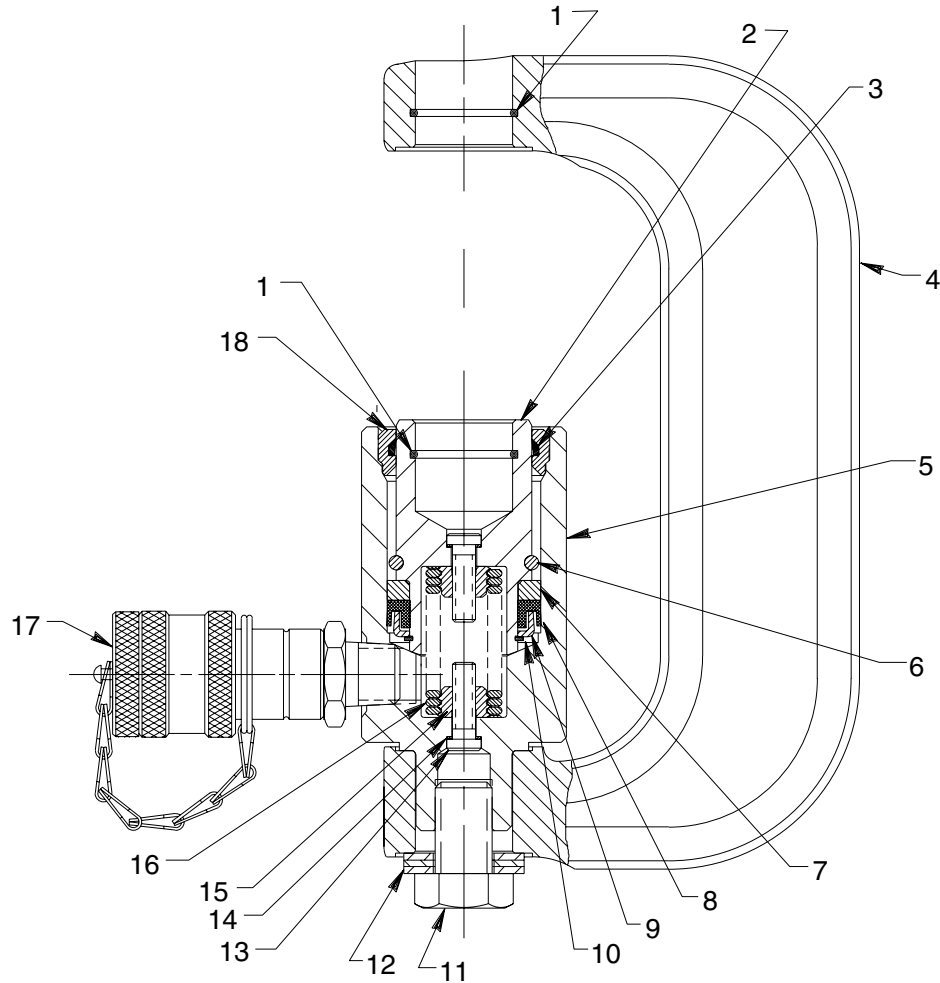


C-FRAME PRESS

Max. Capacity: 11.2 Ton at 10,000 PSI



Item No.	Part No.	No. Req'd	Description	Item No.	Part No.	No. Req'd	Description
1	15184	2	O-ring (1-3/16 x 1-1/16 x 1/16, -023)	13	10012	2	Cap Screw (1/4-20 x 7/8 Lg.; Torque to 90/110 in. lbs.)
2	420214	1	Piston Rod	14	*10442	2	Copper Washer
3	*201429	1	Rod Wiper	15	204414	2	Spring Retainer
4	58095	1	C-frame	16	204249	1	Extension Spring (Stretch, clean, & lubricate before assembly. Assemble flush with spring retainer ends.)
5	420213	1	Cylinder Body	17	25600	1	Quick Coupler
6	201433	1	Retaining Ring	18	201365	1	Retainer Nut (Torque to 100/110 in. lbs.)
7	201363	1	Piston Head (Assemble with groove toward shoulder.)	PARTS INCLUDED BUT NOT SHOWN			
8	*16067	1	U-cup				
9	201359	1	Slip Retainer	250376	1	Trade Name Decal	
10	*16076	1	Retaining Ring				
11	17124	1	Cap Screw (5/8-18 UNF x 1" Lg.)				
12	13324	3	Plain Washer (Type A)				

Part numbers marked with an asterisk (*) are contained in Repair Kit No. 300116.