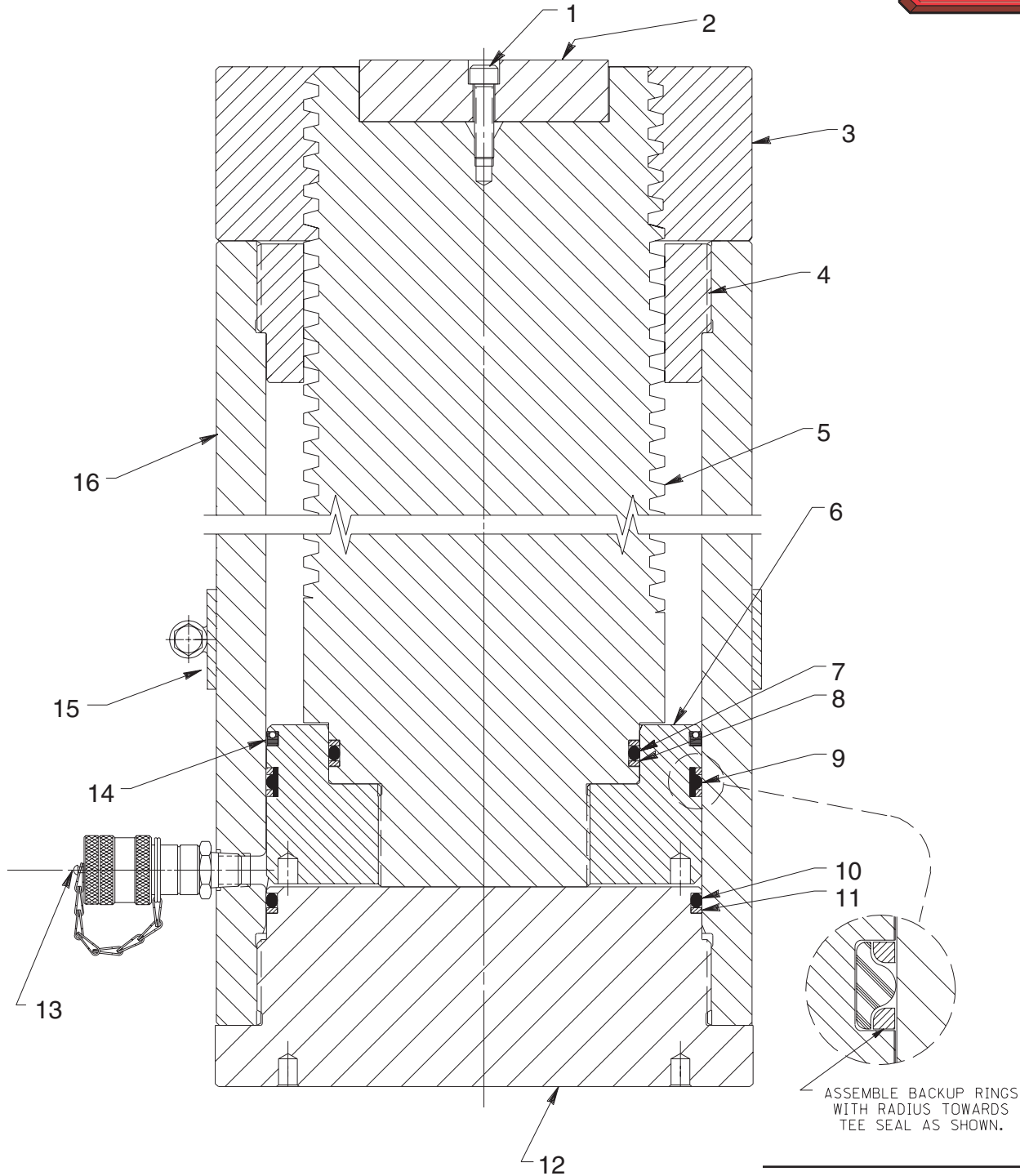


**SINGLE-ACTING, GRAVITY RETURN
 HYDRAULIC CYLINDER**
 Max. Capacity: 300.7 Ton at 10,000 PSI



Parts List, Form No. 101237, Back sheet 1 of 1

Item No.	Part No.	No. Req'd	Description
1	10984	1	Soc. Hd. Cap Screw (3/8-16 UNC x 1-1/2 Lg.)
2	350404	1	Piston Rod Cap
3	58160	1	Locking Collar
4	58162	1	Piston Retainer (Torque to 650 ft. lbs.)
5	58157	1	Piston Rod
6	58156	1	Piston Head (Use Loctite No. 277 or equivalent when assembling to cylinder body [item no. 16]. Torque to 650 ft. lbs.)
7	212693	1	O-ring (6-1/4 x 5-3/4 x 1/4, -435)
8	212694	2	O-ring Backup Washer (-435)
9	212698	1	Piston T-seal with Backup Rings
10	212691	1	O-ring (8-3/4 x 8-1/4 x 1/4)
11	212692	1	O-ring Backup Washer (-445)
12	58159	1	End Retainer Nut (Torque to 650 ft. lbs. Apply Loctite No. 277 or equivalent.)
13	25600	1	Quick Coupler
14	250529	1	U-cup (9-3/4 x 8-1/4 x 1/4)
15	52723	1	Handle (Assemble handle as close to center of gravity as possible. Position handle so that coupler is in a protected position during shipping and when lifting.)
16	58158	1	Cylinder Body

PARTS INCLUDED BUT NOT SHOWN

37782	1	Warning Decal
309221	1	Trade Name Decal



Refer to any operating instructions included with this product for detailed information about operation, testing, disassembly, reassembly and preventive maintenance.

Items found in this parts list have been carefully tested and selected. **Therefore: Use only genuine replacement parts!**

Additional questions can be directed to our Technical Services Department.