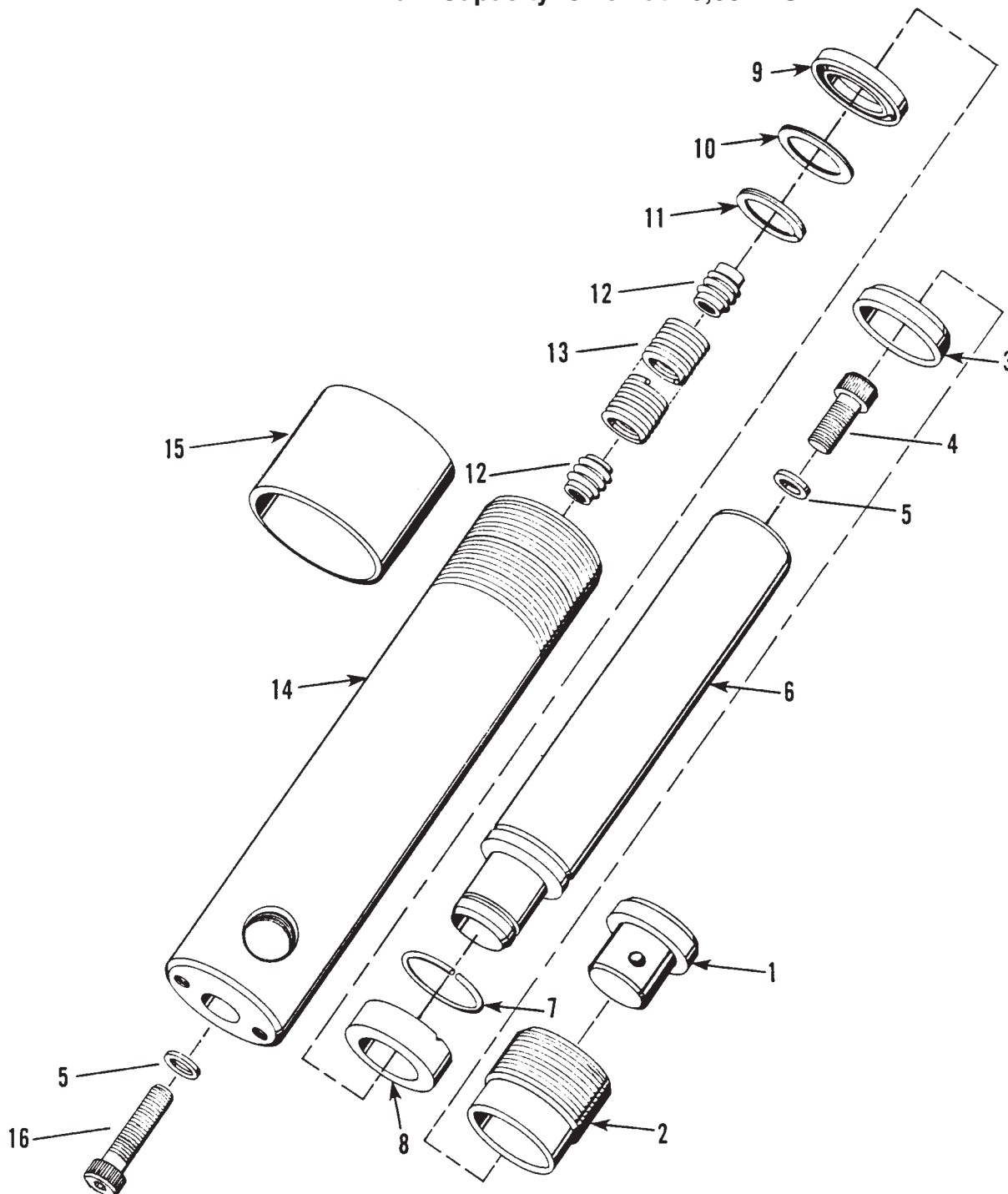


**SINGLE-ACTING, SPRING RETURN
 HYDRAULIC CYLINDER**
 Max. Capacity: 5 Ton at 10,061 PSI



Item No.	Part No.	No. Req'd	Description
1	250530	1	Thread Adapter
2	305065	1	Retainer Nut (Torque to 40/80 in. lbs.)
3	*†201424	1	Rod Wiper
4	250525	1	Soc. Hd. Cap Screw (Torque to 50/60 in. lbs.)
5	*†14319	2	Copper Washer (5/16 x 3/16 x 1/32)
6	350276	1	Piston Rod
7	250524	1	Round Retaining Ring
8	201377	1	Piston Head (Assemble with groove toward shoulder.)
9	*210391	1	U-cup Piston Seal
	†205703	1	U-cup Piston Seal
10	201373	1	Retainer Washer
11	*13653	1	Retaining Ring
12	201372	2	Spring Retainer (See diagram below)
13	207529	1	Extension Spring
14	420289	1	Cylinder Body
15	36141	1	Thread Protector
16	250523	1	Soc. Hd. Cap Screw (Torque to 50/60 in. lbs.)

PARTS INCLUDED BUT NOT SHOWN

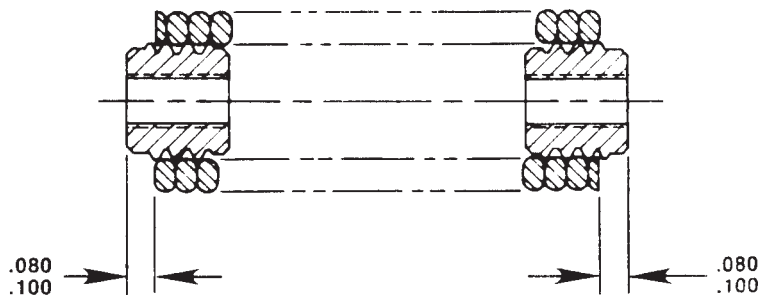
250531	1	Trade Name Decal
*212064	1	Warning Decal
†206555	1	U-cup Backup Washer
†19526	1	O-ring (1" x 3/4 x 1/8, -210; for coupler)
†205724	1	Decal (Viton)

Part numbers marked with an asterisk (*) are contained in Standard Repair Kit No. 300404.

Part numbers marked with a dagger (†) are contained in Viton Seal Kit No. 300210.

SPRING & RETAINER ASSEMBLY

The spring must not extend beyond the threads of the spring retainer on either end. Stretch, clean and lubricate the spring before assembly.



Refer to any operating instructions included with this product for detailed information about operation, testing, disassembly, reassembly, and preventive maintenance.

Items found in this parts list have been carefully tested and selected. **Therefore: Use only genuine replacement parts!**

Additional questions can be directed to our Technical Services Department.