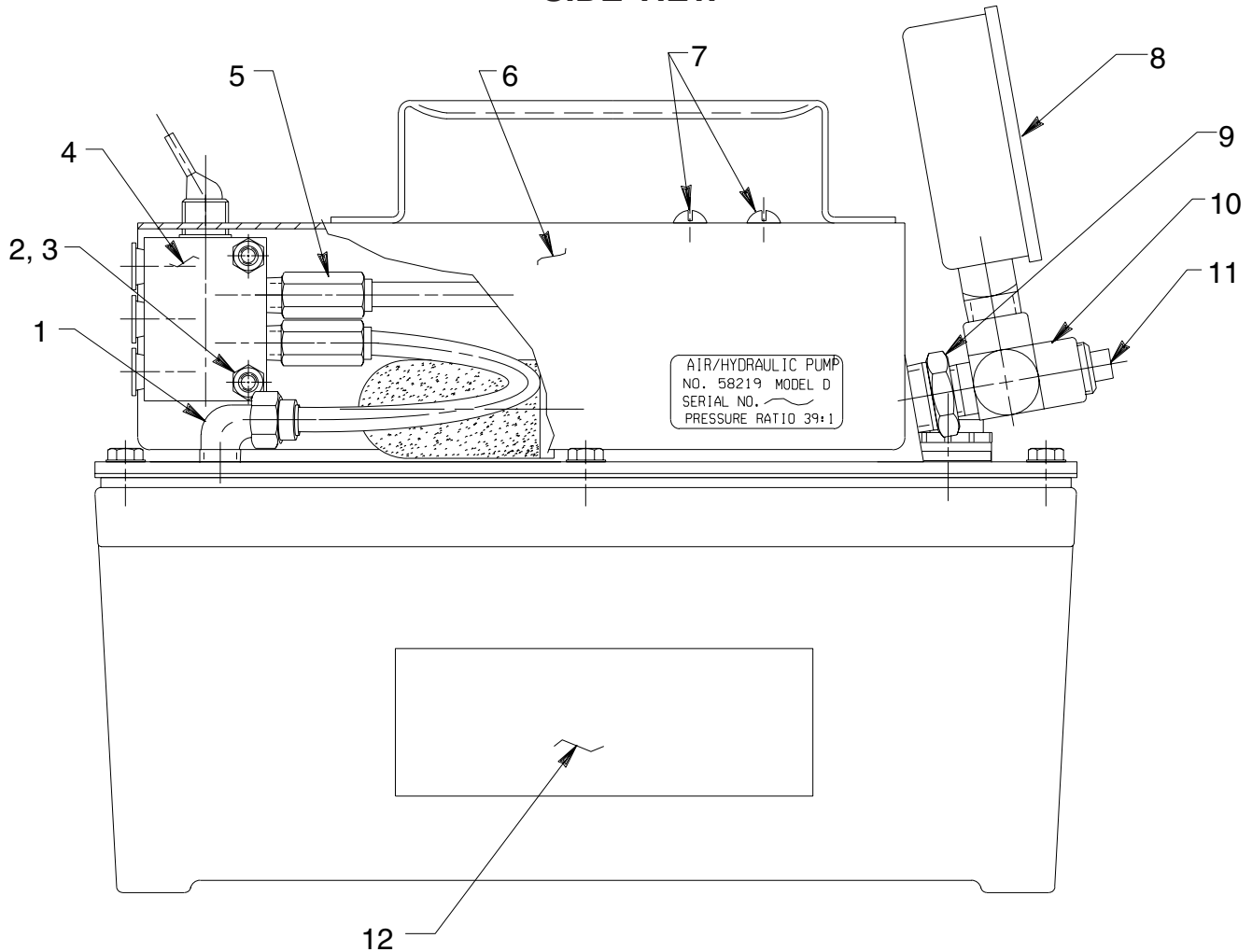
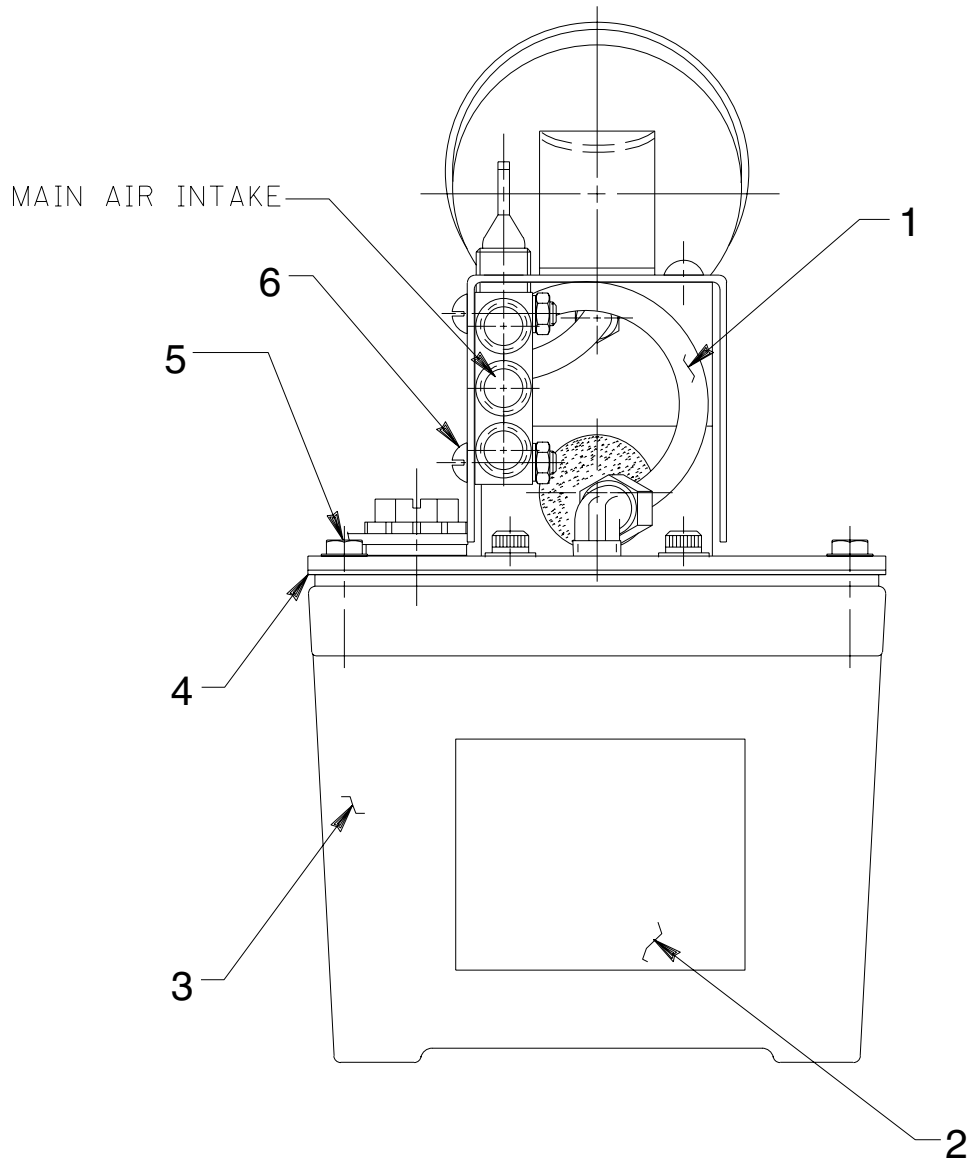


MODEL D
AIR HYDRAULIC PUMP
Max. Capacity: 4,300 PSI
SIDE VIEW



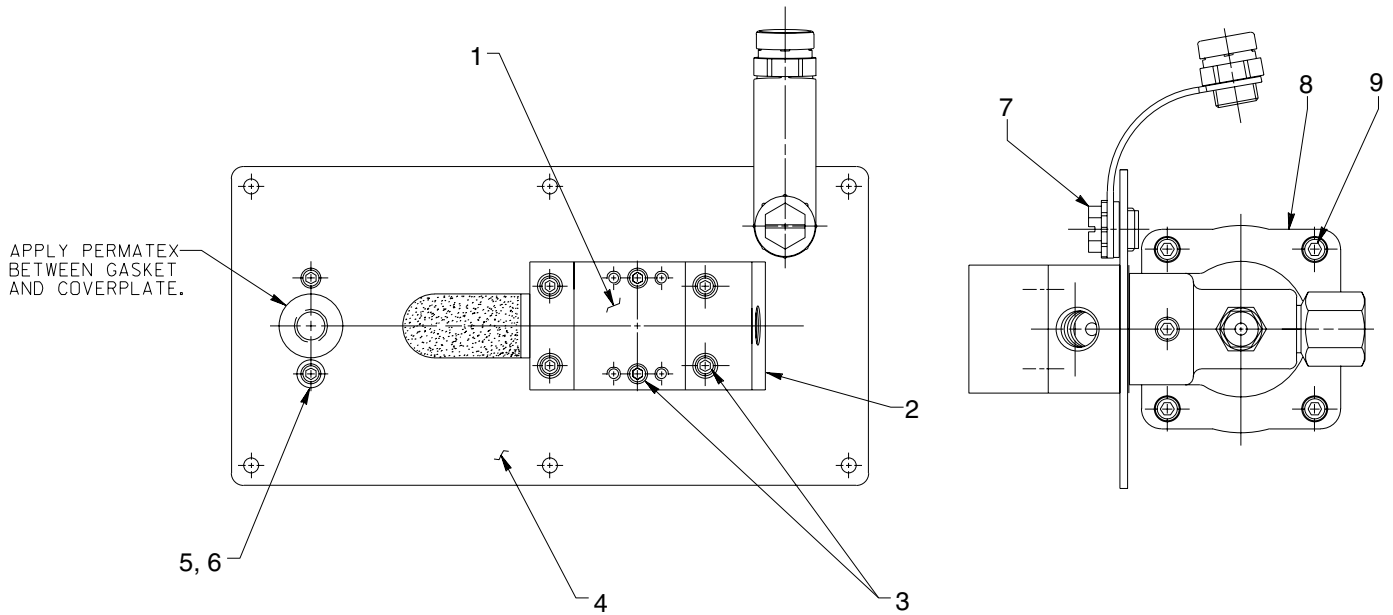
Item No.	Part No.	No. Req'd	Description
1	15457	1	Elbow
2	10197	2	Hex Machine Screw Nut (#10-24 UNC)
3	11108	2	Lockwasher (#10 External Tooth)
4	350329	1	Air Operated Valve
5	250464	3	Connector
6	420384BK2	1	Shroud
7	10164	4	Rd. Hd. Machine Screw (#10-24 UNC X 3/8 Lg.)
8	17946	1	Pressure Gauge
9	10676	1	Straight Fitting
10	10618	1	Service Tee
11	13272	1	Pipe Plug
12	211533	2	Trade Name Decal

END VIEW



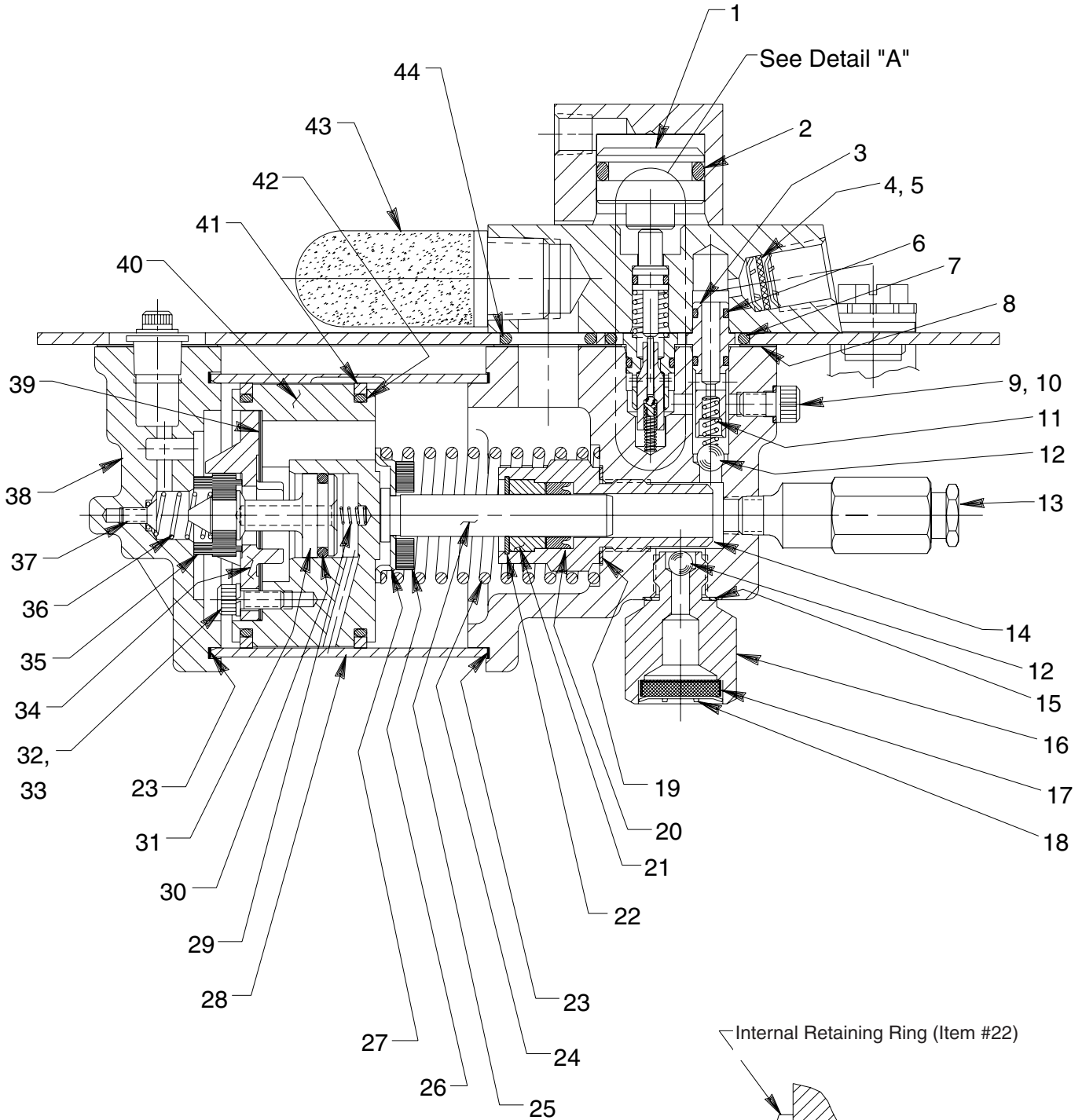
Item No.	Part No.	No. Req'd	Description
1	14726	.80 ft.	Tubing
2	305494	1	Decal
3	61243	1	Reservoir
4	33853	1	Reservoir Gasket
5	211060	10	Hex Washer Hd. Screw (#9-15 X 1" Lg.; Torque to 25/30 in. lbs.)
6	11856	2	Rd. Hd. Machine Screw (#10-24 UNC X 1.000 Lg.)

BASIC PUMP ASSEMBLY TOP & END VIEW



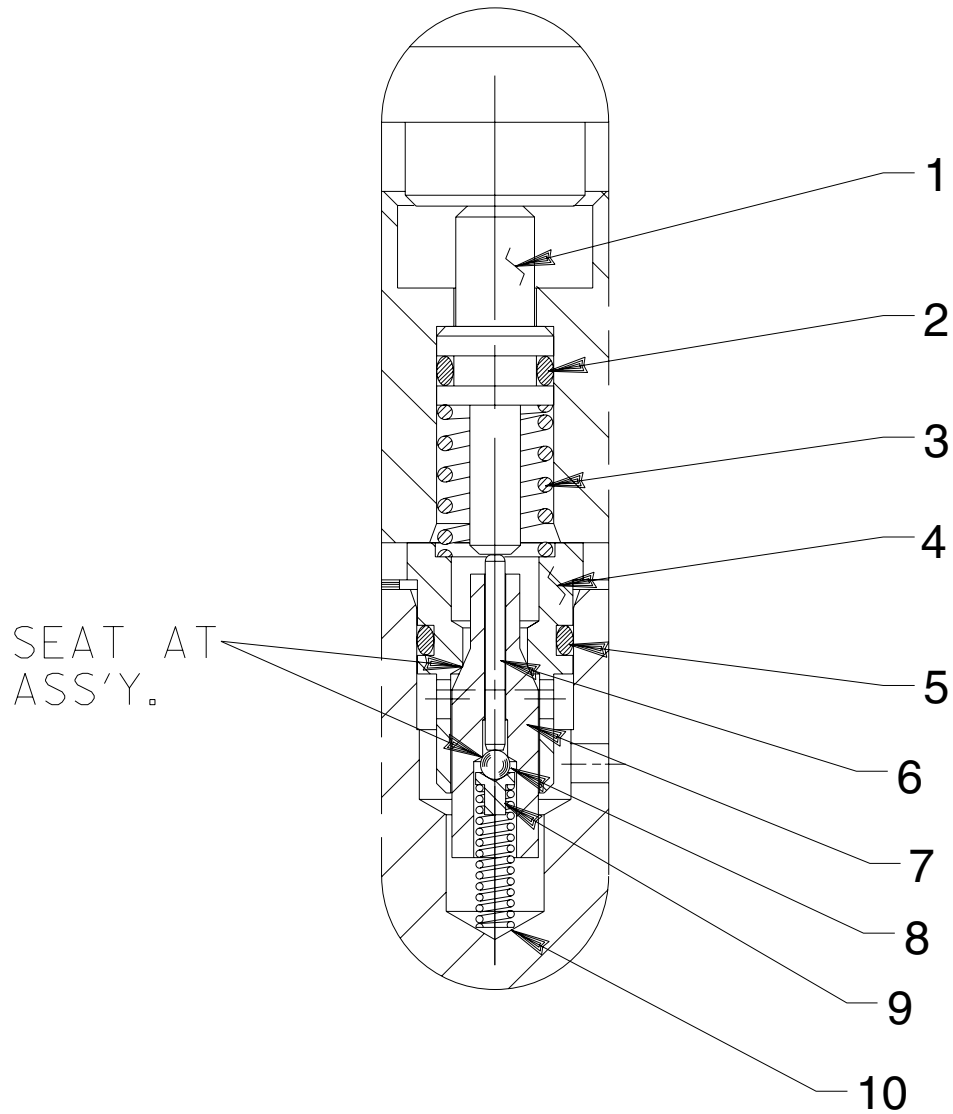
Item No.	Part No.	No. Req'd	Description
1	420293	1	Valve Body
2	58146	1	Release Valve
3	11151	4	Soc. Hd. Cap Screw (10-24 UNC X 1-1/4 Lg.)
4	45840BK2	1	Cover Plate
5	11434	2	Soc. Hd. Cap Screw (10-24 UNC X 1/2 Lg.)
6	11089	2	Washer (No. 10)
7	20937S	1	Filler/Breather Cap
8	50494	1	Pump Body
9	17428	4	Soc. Hd. Cap Screw (1/4-20 UNC X 3-1/2 Lg.)

BASIC PUMP ASSEMBLY SIDE VIEW



Item No.	Part No.	No. Req'd	Description
1	34757	1	Piston Release
2	208144	1	O-ring (1-1/2 x 7/8 x 1/8, -212; Apply Moly Kote)
3	34378	1	Check Valve Body
4	11088	2	Retaining Ring
5	250638	1	Filter Disc
6	211053	2	O-ring (3/8 X 1/4 X 1/16, -010)
7	251215	1	O-ring (1.494 x 1.212 x .141)
8	34283	1	Gasket
9	10442	1	Plain Washer (3/8 X 1/4 X 1/32)
10	10002	1	Soc. Hd. Cap Screw (1/4-20 UNC X 3/8 Lg.; Torque to 90/110 in. lbs.)
11	10445	1	Compression Spring (5/32 O.D. X 3/4 Lg.)
12	10423	2	Steel Ball (9/32 dia.)
13	21278-43	1	Relief Valve (Set at 4,400/4,800 PSI)
14	33959	1	Cylinder (Torque to 90/100 ft. lbs. oiled)
15	10261	1	Plain Washer (3/4 X 19/32 X 1/32)
16	48010	1	Filter Adapter
17	214578	1	Filter
18	214586	1	Retaining Ring (Internal)
19	10263	1	Plain Washer (1" X .765 X 1/32)
20	14121	1	U-cup
21	202624	1	Retainer
22	11034	1	Retaining Ring (Note: Install with sharp edge toward the retained part. See Detail B on back of sheet 2 of 3.)
23	17429	2	Backup Washer (2-15/16 X 2-3/4 X .045, -148)
24	13938	1	Compression Spring (1.452 O.D. X 4-7/16 Lg.)
25	28400	1	Piston
26	202613	1	Bumper
27	211082	1	Guide Spring
28	37434	1	Air Cylinder (Note: Locate groove on upper half (top) of pump with chamfered tube end towards rear head as shown in illustration on back of sheet 2 of 3.)
29	12692	1	Compression Spring (3/16 O.D. X 1-11/16 Lg.)
30	211052	1	O-ring (.900 X .706 X .097, -909)
31	305475	1	Exhaust Valve Stem
32	10241	3	Lockwasher (For #10 bolt)
33	211054	3	Soc.Hd. Cap Screw (#10-24 X 1/2 Lg.; Torque to 50/55 in. lbs.)
34	33822	1	Piston End Plate
35	28183	1	Piston Poppet
36	205679	1	Compression Spring (.485 O.D. X .915 Lg.)
37	205674	1	Hex Soc. Flat Hd. Cap Screw (8-32 UNC X 3/8 Lg.; Torque to 12/18 in. lbs.)
38	37468	1	Rear Head
39	28239	1	Gasket
40	52390	1	Piston Body
41	14265	2	Piston Ring
42	11229	2	O-ring (2-3/8 X 2-3/16 X 3/32, -139)
43	250461	1	Muffler
44	251214	1	O-ring (1.002 x .720 x .141)

DETAIL "A"



Item No.	Part No.	No. Req'd	Description
1	28227	1	Release Valve Button
2	211053	1	O-ring (3/8 X 1/4 X 1/16, -010)
3	13944	1	Compression Spring (3/8 O.D. X 1/2 Lg.)
4	34377	1	Poppet Retainer
5	15279	1	O-ring (1/2 X 3/8 X 1/16, -012)
6	13937	1	Dowel Pin (Note: Place tapered end toward ball.)
7	29037	1	Release Valve Poppet
8	14443	1	Metallic Ball (3/32 Dia.)
9	209736	1	Ball Retainer
10	13959	1	Compression Spring (1/8 O.D. x 1/2 Lg.)