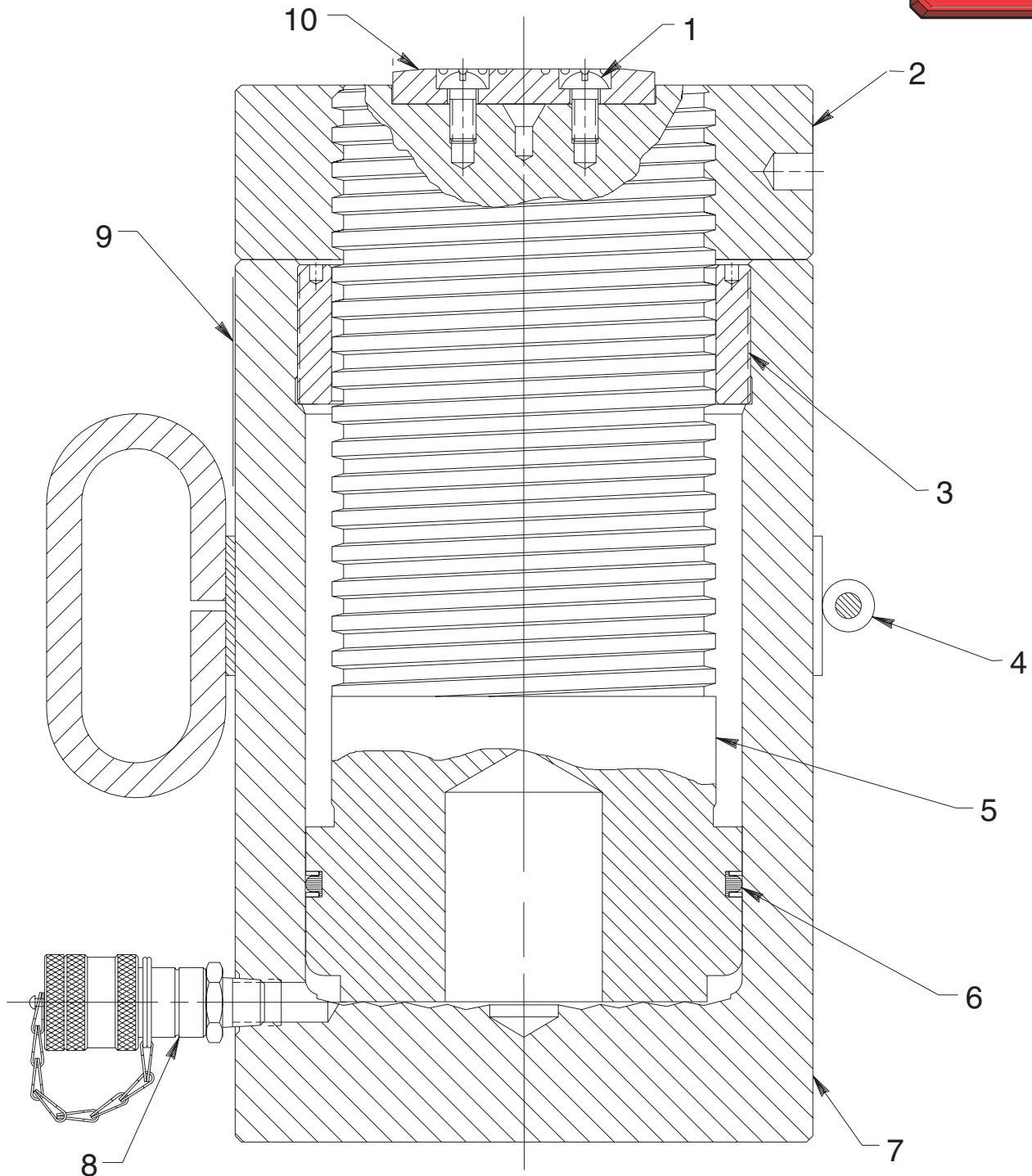


THREADED PISTON
HYDRAULIC CYLINDER
 Max. Capacity: 153.4 Tons at 10,000 PSI



Parts List, Form No. 101257, Back sheet 1 of 1

Item No.	Part No.	No. Req'd	Description
1	16112	2	Rd. Hd. Machine Screw (3/8-16 UNC X 3/4 Lg.)
2	420340	1	Locking Ring
3	420339	1	Retainer Nut
4	420392OR9	1	Cylinder Lift Handle Assembly
5	58191	1	Threaded Piston Rod
6	19296	1	Piston T-seal
7	58190	1	Cylinder Body
8	25600	1	Ram Half Coupler
9	350337	1	Trade Name Decal
10	302651	1	Front Plate

PARTS INCLUDED BUT NOT SHOWN

37782	1	Decal
304937	1	Warning Decal
200056	1	Locknut Handle



Refer to any operating instructions included with this product for detailed information about operation, testing, disassembly, reassembly, and preventive maintenance.

Items found in this parts list have been carefully tested and selected. **Therefore: Use only genuine Power Team replacement parts!**

Additional questions can be directed to our Technical Services Department.