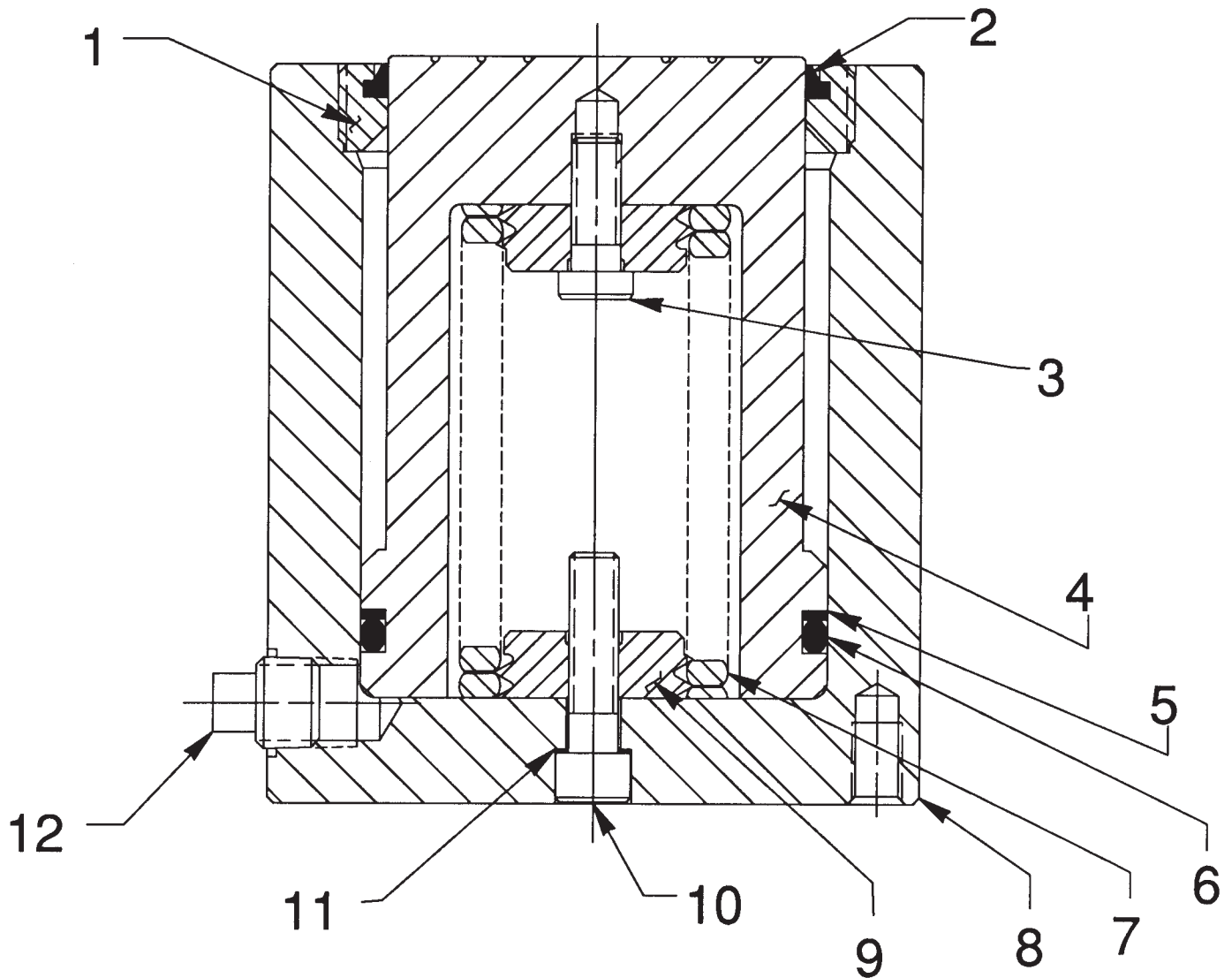


MODEL B
SINGLE-ACTING, SPRING RETURN
HYDRAULIC CYLINDER

Max. Capacity: 50 Tons at 10,394 PSI



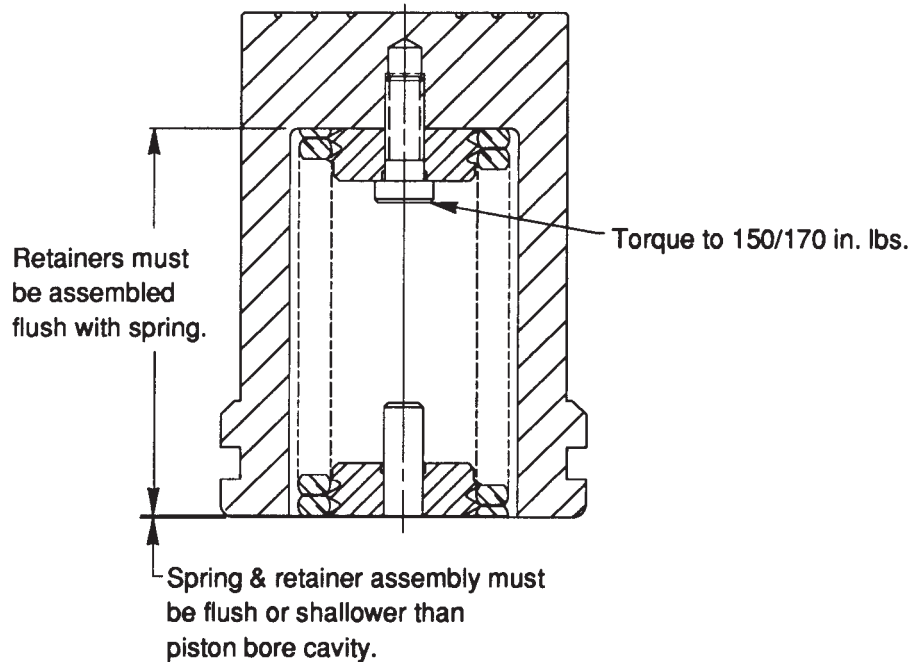
Item No.	Part No.	No. Req'd	Description
1	43601	1	Retainer Nut (Torque to 500/525 in. lbs.)
2	*16117	1	Rod Wiper
3	19995	1	Screw (3/8-16 UNC X 1" Lg.; Torque to 150/170 in. lbs.)
4	58253	1	Piston
5	*207575	1	Backup Washer (3-1/2 X 3-1/8 X .070, -338)
6	*207576	1	O-ring (3-1/2 X 3-1/8 X 3/16, -338)
7	207574	1	Extension Spring (Stretch, clean and lubricate before assembly)
8	46836	1	Cylinder Body
9	39024	2	Spring Retainer (Assemble retainers flush with spring)
10	10984	1	Soc. Hd. Cap Screw (3/8-16 UNC x 1-1/2 Lg.; Torque to 400/425 in. lbs.)
11	*12042	1	Copper Washer (9/16 X 3/8 X 1/32)
12	11127	1	Pressure Plug (3/8" NPTF)

PARTS INCLUDED BUT NOT SHOWN

*203908 1 Warning Decal

Part numbers marked with an asterisk (*) are contained in Repair Kit No. 300292.

ASSEMBLY INSTRUCTIONS



Refer to any operating instructions included with this product for detailed information about operation, testing, disassembly, reassembly, and preventive maintenance.

Items found in this parts list have been carefully tested and selected. **Therefore: Use only genuine Power Team replacement parts!**

Additional questions can be directed to our Technical Services Department.