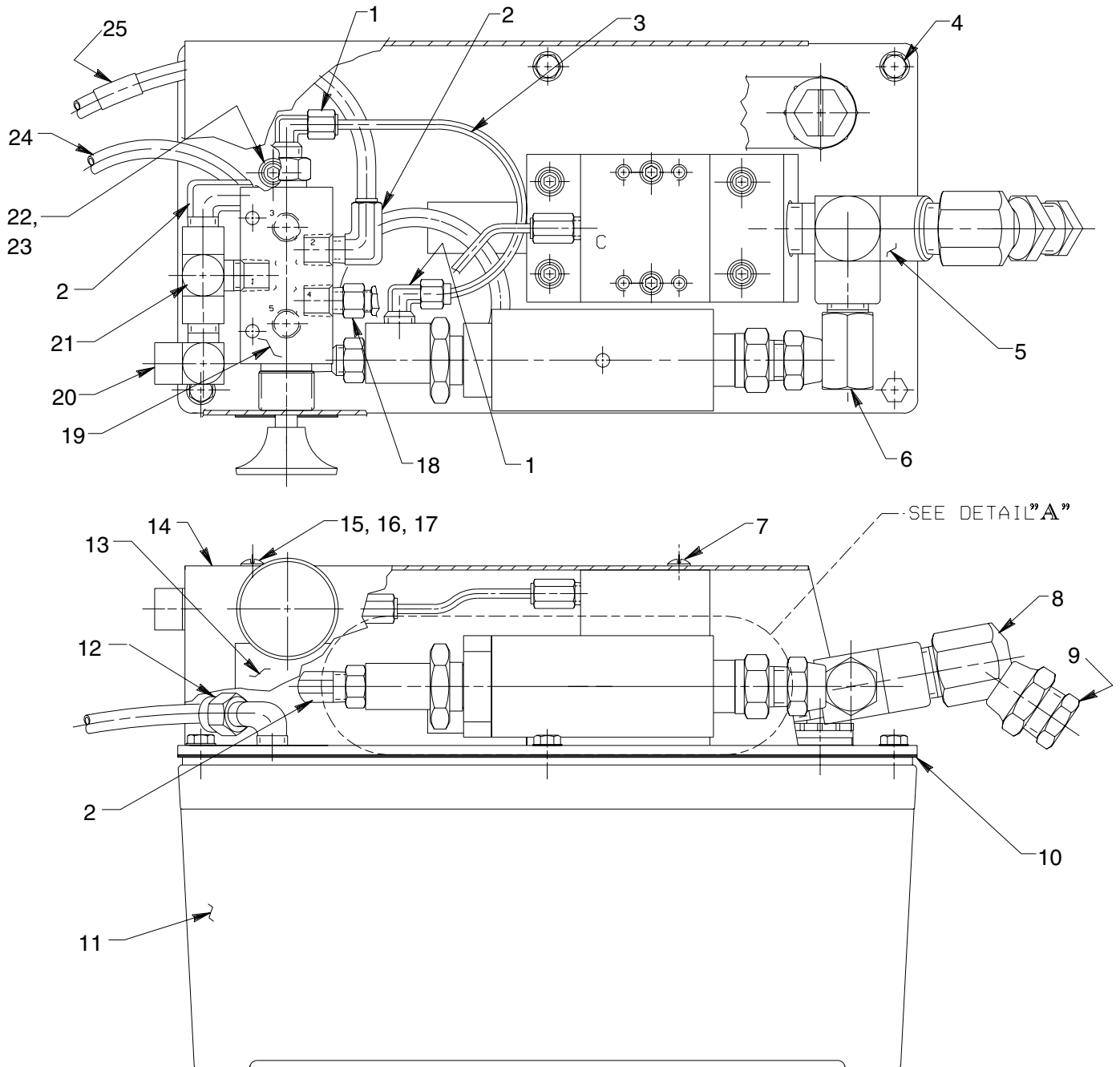


**MODEL E**  
**AIR HYDRAULIC PUMP**  
Max. Capacity: 10,000 PSI



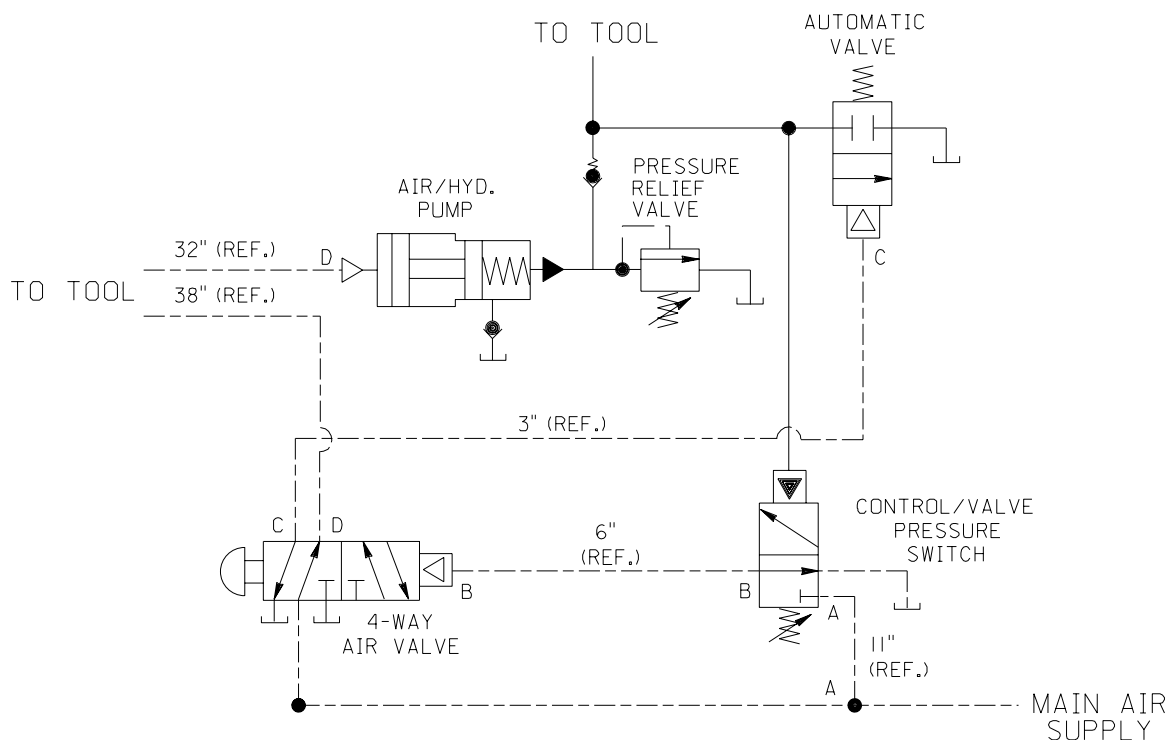
# Parts List, Form No. 101281, Back sheet 1 of 3

Item No.	Part No.	No. Req'd	Description
1	250804	2	90° Elbow Fitting
2	250463	3	90° Elbow Fitting
3	14281	1 ft.	Plastic Tube (1/8 dia.; See schematic for approx. lengths)
4	211060	10	Thread Forming Screw (Plastite; Torque to 25/30 in. lbs.)
5	10623	1	Tee Fitting
6	250385	1	90° Elbow Fitting
7	10164	2	Rd. Hd. Machine Screw (#10-24 x 3/8 Lg.)
8	10648	1	45° Elbow Fitting
9	250952	1	Pipe Plug (3/8 NPTF)
10	33853	1	Reservoir Gasket
11	61243	1	Reservoir
12	15457	1	90° Elbow Fitting
13	250490	1	Decal
14	58263WH2	1	Shroud
15	250968	2	Rd. Hd. Machine Screw (#10-24 x 1-1/4 Lg.)
16	11108	2	External Tooth Washer
17	10197	2	Hex. Machine Screw Nut
18	250726	1	Straight Fitting
19	350485	1	Air Operated Valve (4-way)
20	13864	1	90° Elbow Fitting
21	14538	1	Tee Fitting
22	11434	2	Soc. Hd. Cap Screw (10-24 x 1/2 Lg.; Torque to 50/60 in. lbs.)
23	11089	2	Washer
24	14726	6.75 ft.	Plastic Tube (1/4 dia.; See schematic for approx. length)
25	206553	.08 ft.	Heat Shrink (NOTE: Apply red heat shrink to end of this tube only.)

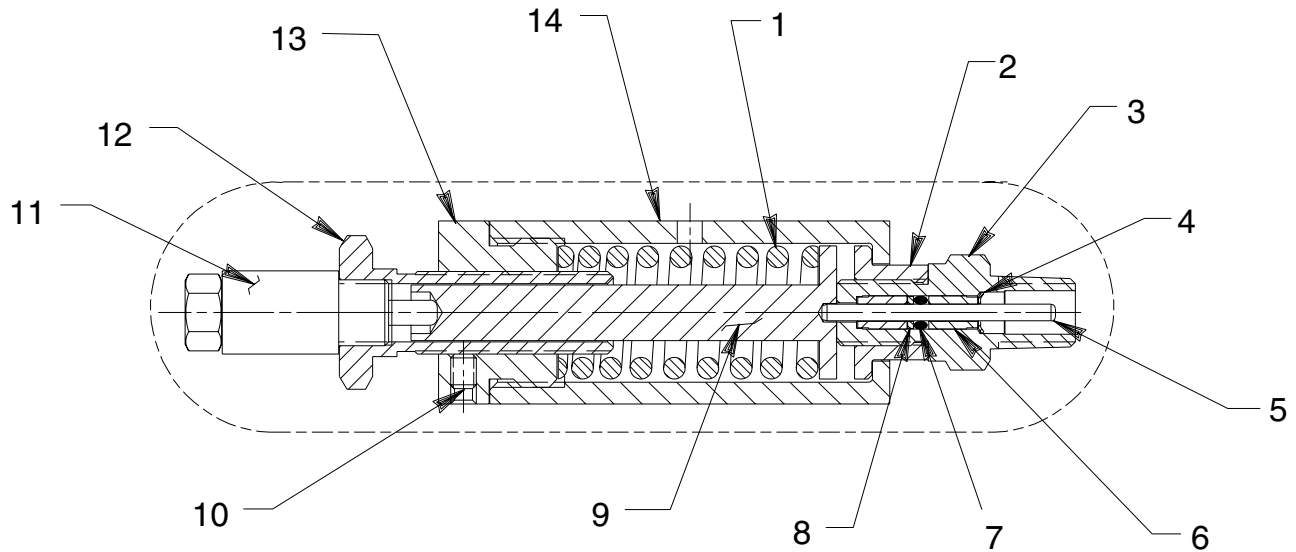
## PARTS INCLUDED BUT NOT SHOWN

305494	1	Important Decal
350395	1	Warning Decal

## AIR/HYDRAULIC SCHEMATIC

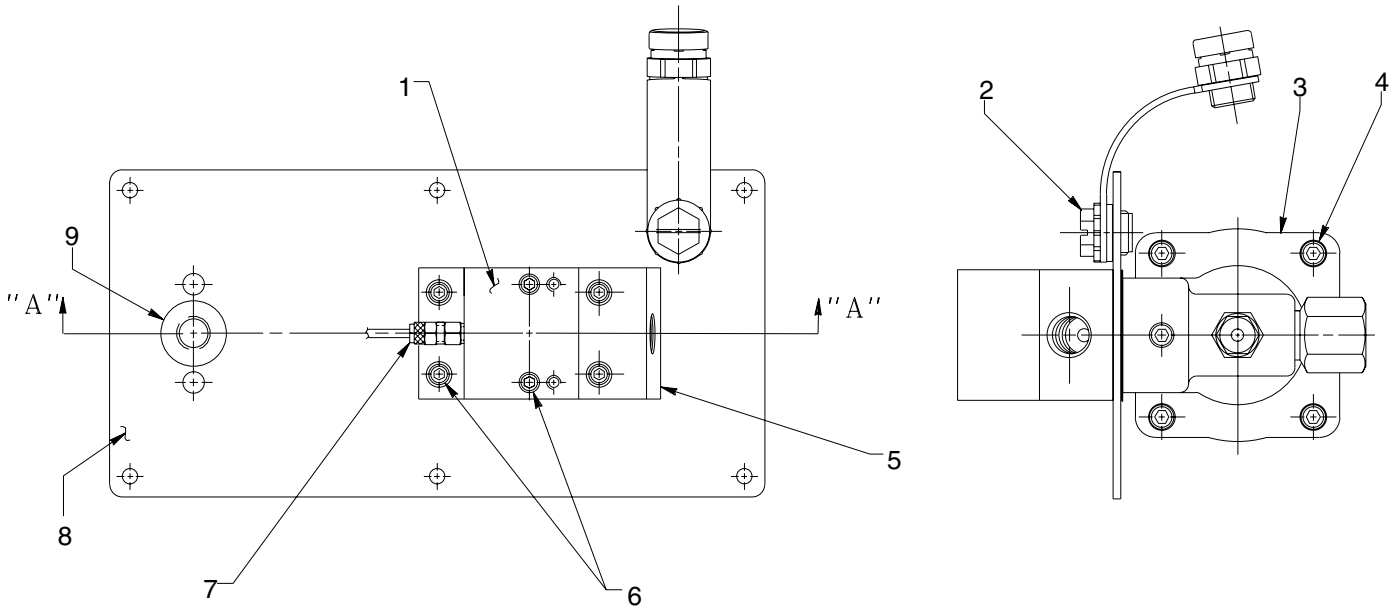


## AIR HYDRAULIC PUMP DETAIL A



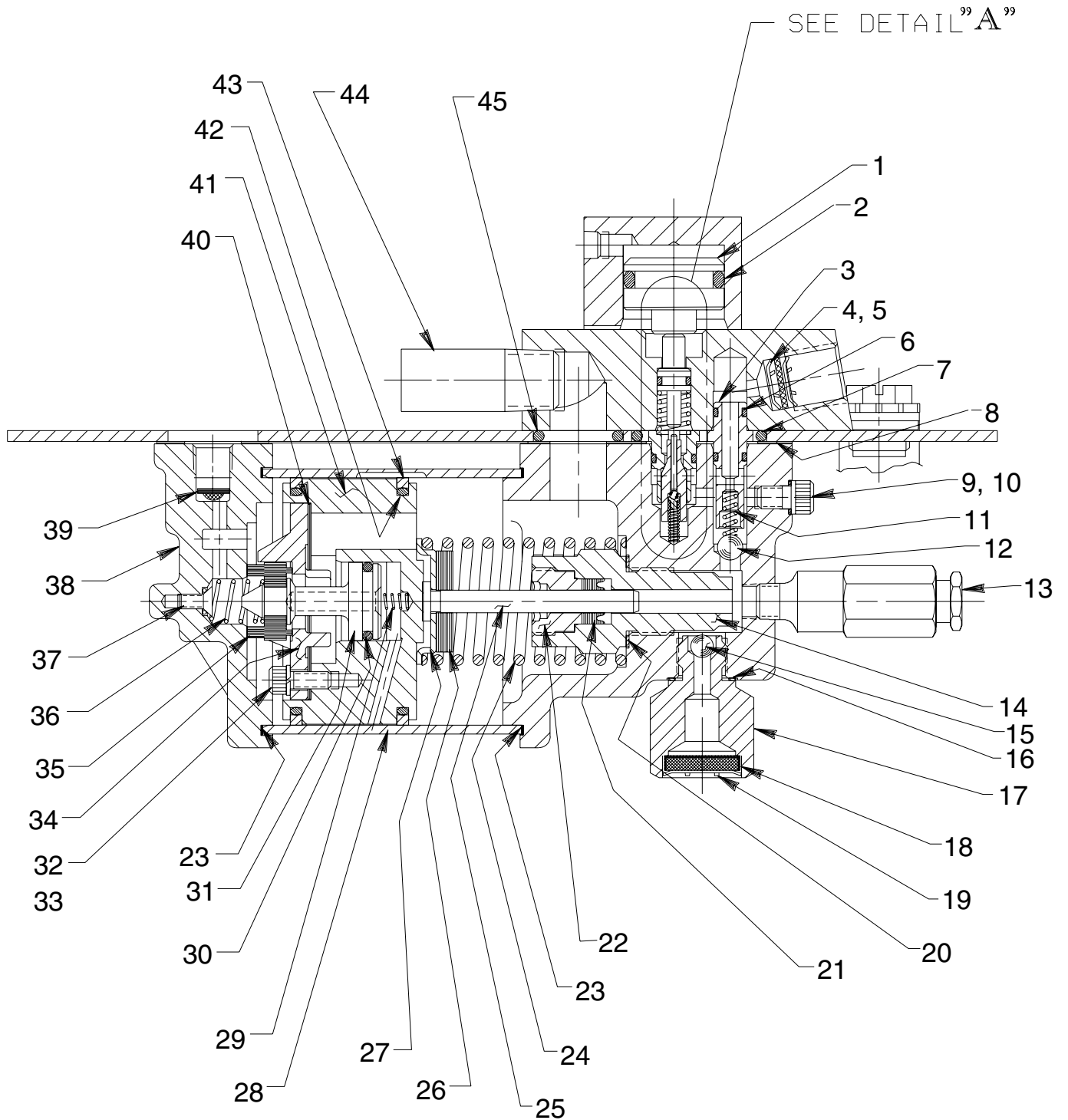
Item No.	Part No.	No. Req'd	Description
1	250344	1	Compression Spring
2	250346	1	Bushing
3	304949	1	Cartridge (Torque to 80/120 in. lbs. by holding Bushing [Items#2])
4	12041	1	Retaining Ring (Internal)
5	23062	1	Dowel Pin (Install with tapered end inside Actuator Pin [Item#9])
6	210197	2	Bushing (NOTE: Install with flat surface against o-ring & backup washer.)
7	10264	1	O-ring (1/4 x 1/8 x 1/16, -006)
8	214992	1	Backup Washer (-006)
9	250347	1	Actuator Pin
10	250352	1	Headless Soc. Hd. Set Screw (Torque to 30/40 in. lbs. after pressure switch setting is obtained.)
11	350195	1	Control Valve (Discard nuts & lockwashers)
12	250349	1	Adjusting Nut
13	250348	1	Bushing
14	250345	1	Body

## BASIC PUMP ASSEMBLY TOP & END VIEW



Item No.	Part No.	No. Req'd	Description
1	34759	1	Piston Relief Valve Body
2	20937S	1	Cap & Gasket Assembly
3	50494	1	Pump Body
4	17428	4	Soc. Hd. Cap Screw (1/4-20 x 4" Lg.; Torque to 85/95 in. lbs. oiled. NOTE: Cross torque in increments of 30 in. lbs..)
5	58146	1	Release Valve Body
6	11151	6	Soc. Hd. Cap Screw (#10-24 x 1-1/4 Lg.; Torque to 50/60 in. lbs.)
7	250725	1	Straight Fitting
8	45840BK2	1	Cover Plate

### BASIC PUMP ASSEMBLY SECTION A-A

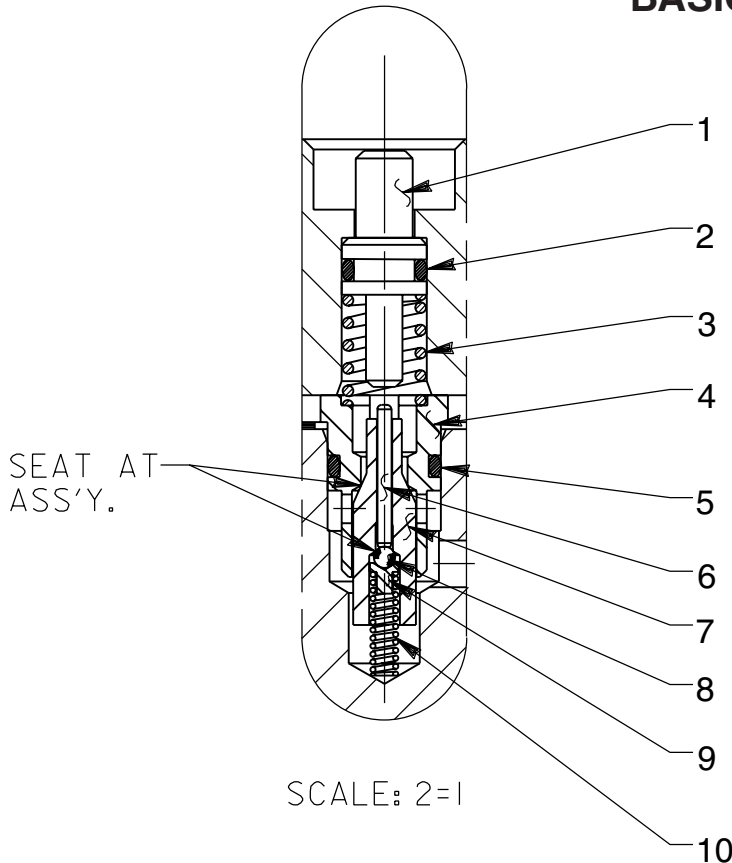


# Parts List, Form No. 101281, Back sheet 3 of 3

Item No.	Part No.	No. Req'd	Description
1	34757	1	Release Piston
2	208144	1	O-ring (1-1/8 x 7/8 x 1/8)
3	34378	1	Check Valve Body
4	250638	1	Screen
5	11088	2	Retaining Ring
6	211053	2	O-ring (3/8 x 1/4 x 1/16, -010)
7	251215	1	O-ring (1.494 x 1.212 x .141)
8	34283	1	Gasket
9	10442	1	Copper Washer (3/8 x 1/4 x 1/32)
10	10002	1	Soc. Hd. Cap Screw (1/4-20 x 3/8 Lg.; Torque to 90/110 in. lbs.)
11	10445	1	Compression Spring
12	10423	1	Steel Ball (9/32 dia.)
13	21278	1	Relief Valve Assembly (Set at 10,000/10,700 PSI)
14	45278	1	Piston Cylinder (Torque to 90/100 ft. lbs. oiled.)
15	10375	1	Steel Ball (1/4 dia.)
16	10261	1	Soft Copper Washer
17	308893	1	Filter Adapter (Torque to 40/50 ft. lbs. oiled.)
18	214578	1	Filter
19	214586	1	Retaining Ring (Internal)
20	10263	1	Soft Copper Washer
21	13934	1	U-cup
22	304295	1	Retainer (NOTE: Apply Loctite No. 277 to external threads and torque to 80/100 in. lbs.)

Item No.	Part No.	No. Req'd	Description
23	17429	2	Backup Ring
24	13938	1	Compression Spring
25	28226	1	Piston
26	203143	1	Bumper
27	210994	1	Spring Guide
28	37434	1	Air Cylinder (NOTE: Locate groove on upper half (top) of pump with chamfered tube end towards rear head as shown.)
29	12692	1	Compression Spring
30	211052	1	O-ring (.900 x .706 x .097, -909)
31	305475	1	Exhaust Valve Stem
32	10241	3	Lockwasher (#10)
33	211054	3	Soc. Hd. Cap Screw (#10-24 x 1/2 Lg.; Torque to 50/55 in. lbs.)
34	33822	1	End Piston Plate
35	28183	1	Piston Poppet
36	205679	1	Compression Spring
37	205674	1	Flat Hd. Screw (#8-32 x 3/8 Lg.; Torque to 12/18 in. lbs.)
38	37468	1	Rear Head
39	216296	1	Screen
40	28239	1	Gasket
41	52390	1	Piston Body
42	11229	2	O-ring (2-3/8 x 2-3/16 x 3/32, -139)
43	14265	2	Piston Seal
44	250461	1	Muffler
45	251214	1	O-ring (1.002 x .720 x .141)

## BASIC PUMP ASSEMBLY DETAIL "A"



Item No.	Part No.	No. Req'd	Description
1	28227	1	Release Valve
2	211053	1	O-ring (3/8 x 1/4 x 1/16, -010)
3	13944	1	Compression Spring
4	34377	1	Retainer Poppet
5	15279	1	O-ring (1/2 x 3/8 x 1/16, -012)
6	13937	1	Dowel Pin (NOTE: Place tapered end toward ball.)
7	29037	1	Release Valve Poppet
8	14443	1	Steel Ball
9	209736	1	Ball Retainer
10	13959	1	Compression Spring