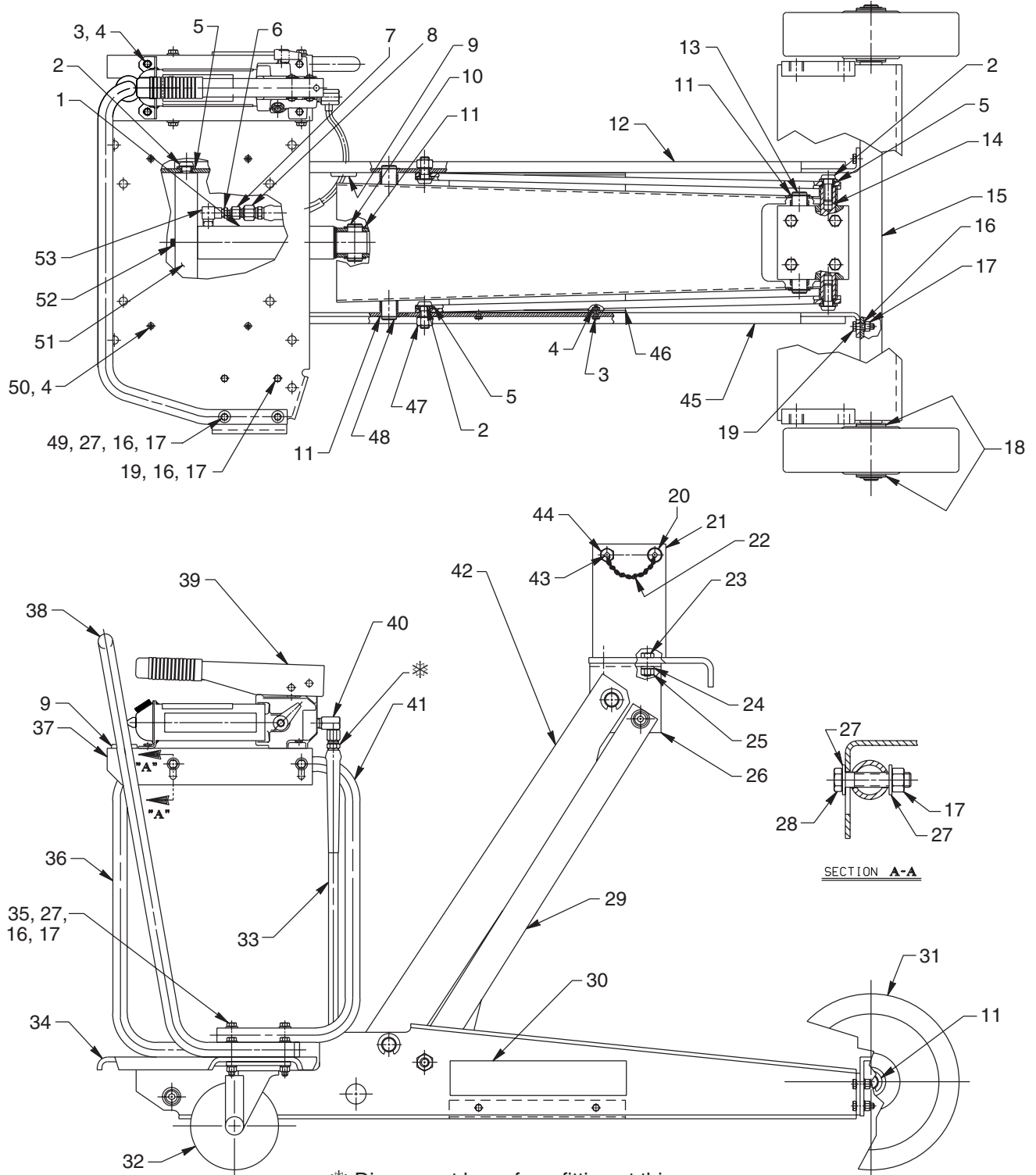


## UNIVERSAL RAILROAD AXLE BEARING PULLER CART

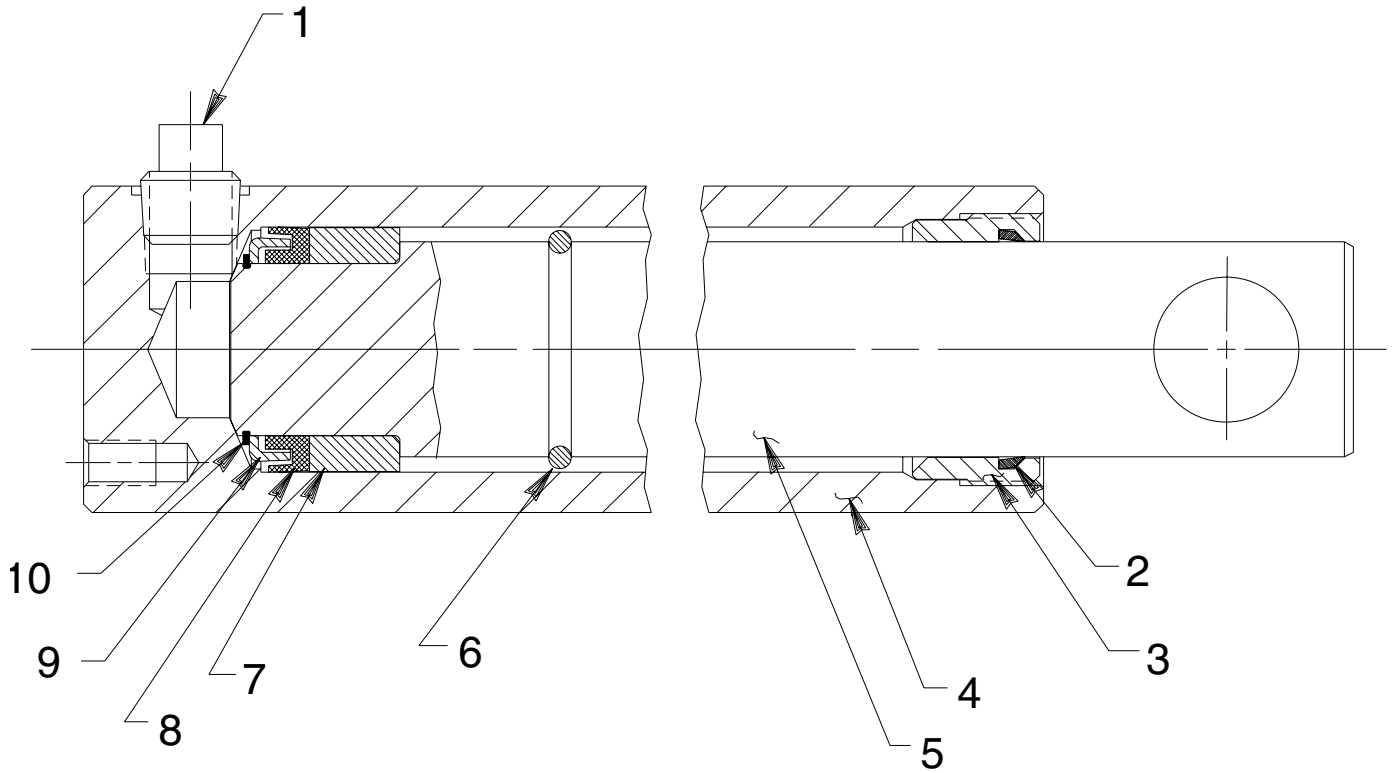


\* Disconnect hose from fitting at this point. Connect hose to power pump and cycle unit until air is bled out of system. Reconnect hose to fitting.

# Parts List, Form No. 101318, Back sheet 1 of 3

Item No.	Part No.	No. Req'd	Description
1	420576	1	Cylinder Assembly (Model A on units built before 8-1-95; Model B on units built after 8-1-95; See sheet 2 of 3)
2	251018	6	Cap Screw (5/8-11 UNC x 1-1/2 Lg.)
3	10009	8	Cap Screw (1/4-20 UNC X 3/4 Lg.)
4	12809	12	Locknut (1/4-20 UNC)
5	251009	6	Guide (Grease before assembling.)
6	251019	1	Special Fitting
7	15235	1	Connector
8	13888	1	Fitting
9	251118	2	Grommet
10	251008	1	Load Pin (Grease before assembling.)
11	11903	8	Retaining Ring
12	64348	1	Side Plate
13	350586	1	Lift Saddle Pivot Pin (Grease before assembling.)
14	251007	1	Saddle Pin (Grease before assembling.)
15	420565	1	Front Wheel Support Weldment
16	10247	12	Washer (For 3/8 bolt)
17	10204	16	Hex Nut (3/8-16 UNC)
18	11253	4	Washer (For 1" bolt; Place two washers on each side of wheel. Two are included with wheels.)
19	10049	6	Cap Screw (3/8-16 UNC X 1" Lg.)
20	20049	2	Stop Pin
21	420581	1	Ram Support Assembly
22	251034	2 ft.	Chain (12" each side)
23	10080	4	Cap Screw (1/2-13 UNC X 1-1/4 Lg.)
24	10249	4	Lockwasher (For 1/2 bolt)
25	10208	4	Hex Nut (1/2-13 UNC)
26	251011	1	Lift Saddle Bracket Weldment
27	10258	14	Plain Washer (For 3/8 bolt)
28	251020	4	Cap Screw (3/8-16 UNC x 1-3/4 Lg.)
29	350590	2	Lift Leveler Bar
30	309221	2	Trade Name Decal
31	10468	2	Wheel (12" x 3"; Grease zerk side of wheel to face outside of cart.)
32	17785	2	Swivel Caster
33	39913	1	Hydraulic Hose Assembly
34	64351	1	Rear Caster / Pump Mounting Plate
35	10060	2	Cap Screw (3/8-16 UNC x 3" Lg.)
36	420572	1	Hand Pump Stand
37	420570	1	Hand Pump Mounting Bracket
38	420571	1	Handle Bar
39	64380	1	Hydraulic Hand Pump Assembly (See back sheet 2 of 3)
40	10470	1	Union Adapter
41	420569	1	Hand Pump Stand
42	420562	1	Lift Arm Weldment
43	10463	4	Drive Screw (No. 8)
44	21264	2	Mounting Bolt
45	64349	1	Side Plate
46	420560	1	Side Plate Brace
47	15316	2	Cap Nut
48	350587	1	Pivot Pin (Grease before assembling.)
49	21498	4	Cap Screw (3/8-16 UNC x 2" Lg.)
50	250383	4	Cap Screw (1/4-20 UNC x 3/4 Lg.)
51	420561	1	Ram Mounting Plate
52	18328	2	Cap Screw (5/16-18 X 2" Lg.)
53	10474	1	90° Elbow Fitting

### CYLINDER ASSEMBLY



Item No.	Part No.	No. Req'd	Description
1	11127	1	Pressure Plug
2	*†201429	1	Rod Wiper
3	201366	1	Retainer Nut (Torque to 90/100 in. lbs.; Before 8-1-95)
	351051	1	Retainer Nut (Torque to 90/100 in. lbs.; After 8-1-95)
4	420575	1	Cylinder Body
5	420574	1	Piston Rod (Before 8-1-95)
	421128	1	Piston Rod (After 8-1-95)
6	201433	1	Retaining Ring
7	201364	1	Piston Head (Assemble with groove toward shoulder)
8	*16067	1	U-cup
	†205704	1	U-cup
9	201359	1	Slip Retainer
10	16076	1	Retaining Ring

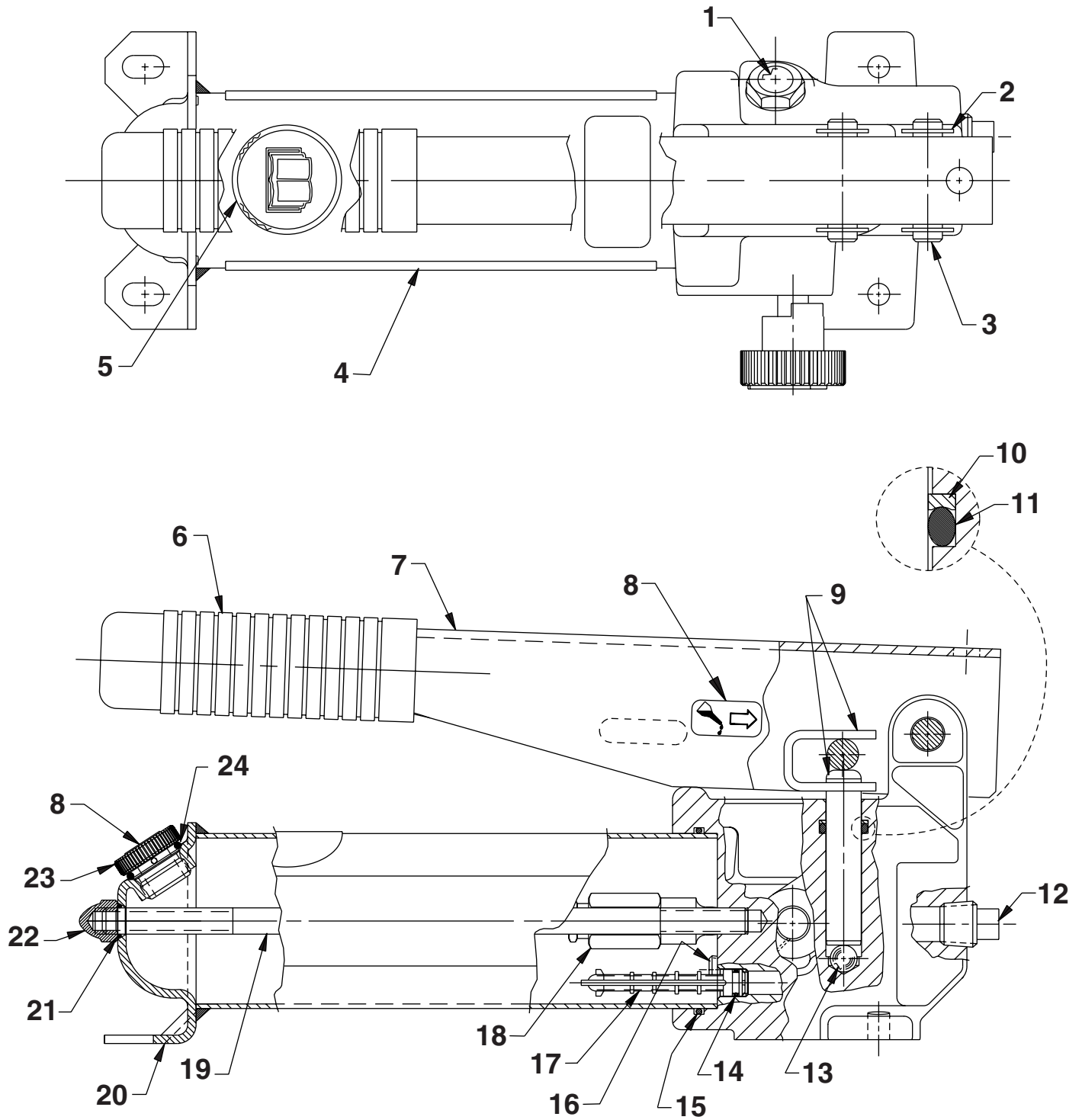
**PARTS INCLUDED BUT NOT SHOWN**

†19526	1	O-ring (1" x 3/4 x 1/8; for coupler)
†205724	1	Decal (Viton)
†206554	1	U-cup Backup Washer (Teflon)

Part numbers marked with an asterisk (\*) are contained in Standard Repair Kit No. 300116.

Part numbers marked with a dagger (†) are contained in Viton Seal Kit No. 300211.

# HAND PUMP ASSEMBLY



Item No.	Part No.	No. Req'd	Description
1	*251907	1	Decal, Instructions
2	211743	4	Ring, Retain EXT (0.41 x .050; Note: Expand the retainer ring to .440 dia. max. during installation.)
3	211742	2	Pin, Dowel (.44 x 1.36)
4	202173	2	Decal, Tradename (Power Team)
5	253584	1	Decal, Read Inst. (Pictorial)
6	211769	1	Grip, Handle
7	46953OR9	1	Handle
8	253234	2	Decal (Oil Pivot Pins)
9	211468	1	Piston
10	*213987	1	Washer, Backup (.69 x .50; Assemble with concave surface towards o-ring.)
11	*10271	1	O-ring (.68 x .50 Nitrile)
12	11127	1	Fitting, Plug (3/8 NPTF)
13	*10378	1	Ball (3/8" Dia.; Steel)
14	*12557	1	O-ring (.34 x .21; Nitrile)
15	*211495	1	O-ring (2.68 x 2.50; Nitrile)
16	10427	1	Fitting, Plug (1/8 NPTF)
17	*215075	1	Screen, Filter
18	21278-30	1	Valve, Relief (Set at 3,000/3,400 PSI; Apply Loctite 592 [PT #905516] or equiv. & torque to 150/170 in. lbs.)
19	252326	1	Rod, Tie
20	421394	1	Reservoir
21	13943	1	O-ring (.50 x .37; Urethane)
22	10842	1	Nut, Hex Cap (3/8-16; Torque to 90/110 in. lbs.; Fully engage acorn nut onto tie rod before torquing to body.)
23	351245	1	Cap, Filler
24	10274	1	O-ring (.87 x .68; Nitrile)

Part numbers marked with an asterisk (\*) are contained in Repair Kit No. 300943.

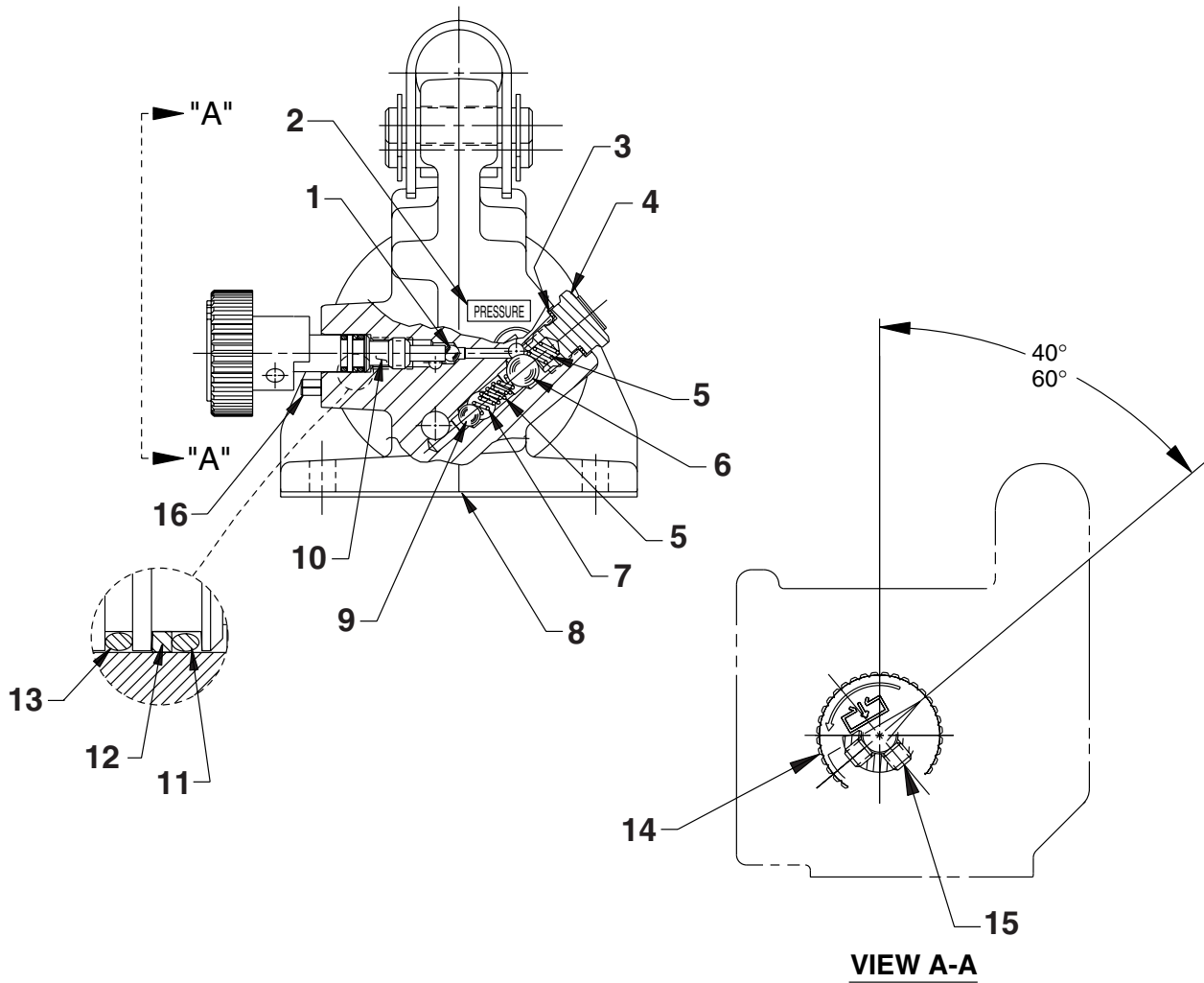
Refer to any operating instructions included with this product for detailed information about operation, testing, disassembly, reassembly, and preventive maintenance.

Items found in this parts list have been carefully tested and selected. **Therefore: Use only genuine Power Team replacement parts!**

Additional questions can be directed to our Technical Services Department.

Note: Shaded areas reflect last revision(s) made to this form.

**END VIEW & SECTION A-A**



Item No.	Part No.	No. Req'd	Description
1	12223	1	Ball (3/16 Dia.)
2	215301	1	Pressure Decal
3	*14874	1	Soft Copper Washer (.700 X 1/2 X 1/32)
4	351952	1	Valve Screw (Torque to 350/370 in. lbs.)
5	*10444	1	Compression Spring (3/16 I.D. X 13/32 Lg.)
6	*10378	1	Steel Ball (3/8 dia.)
7	*10444	1	Spring (3/16 I.D. X 13/32 Lg.)
8	64378	1	Pump Body
9	*10375	1	Steel Ball (1/4 dia.)
10	350185	1	Release Valve Screw

Item No.	Part No.	No. Req'd	Description
11	*10267	1	O-ring (7/16 X 5/16 X 1/16)
12	*15085	1	Backup Washer (7/16 X 5/16 X 3/64 Thk.)
13	14763	1	O-ring (.43 x .31; Urethane)
14	351087	1	Release Valve Knob  (Note: Screw in valve stem until seated [bottomed out]. Then position knob as shown approx. 1/16" from casting surface. Lock in place with set screw.)
15	10556	2	Soc. Set Screw (1/4-20 UNC X 1/4 Lg.; Torque to 50/70 in. lbs.)
16	10714	1	Slotted Spring Pin (.19 x .63)

Part numbers marked with an asterisk (\*) are contained in Repair Kit No. 300943.

Note: Shaded areas reflect last revision(s) made to this form.