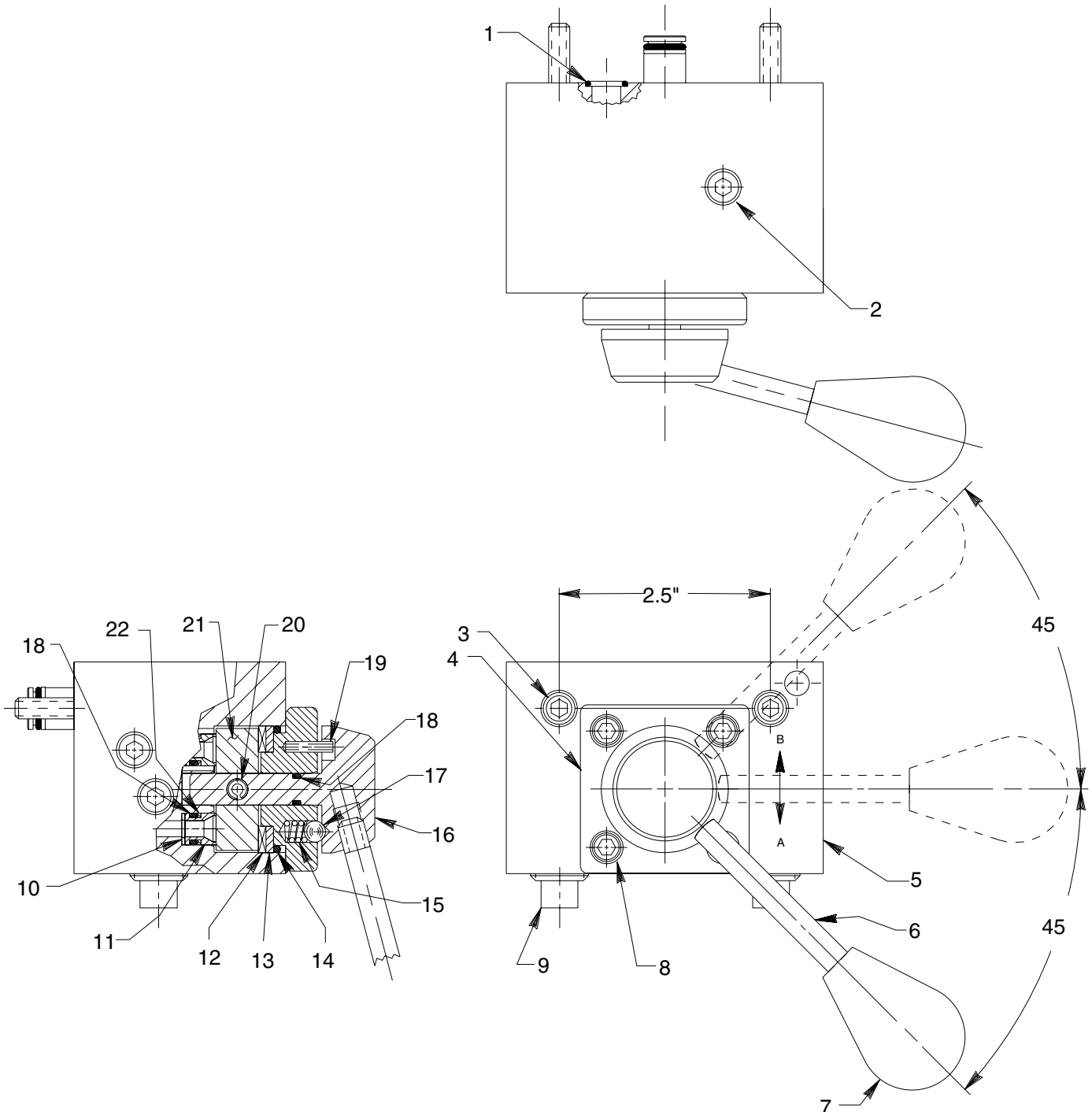
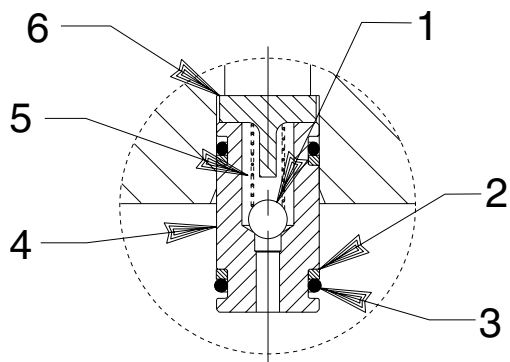


**THREE POSITION, 4-WAY, MANUAL
 VALVE ASSEMBLY**

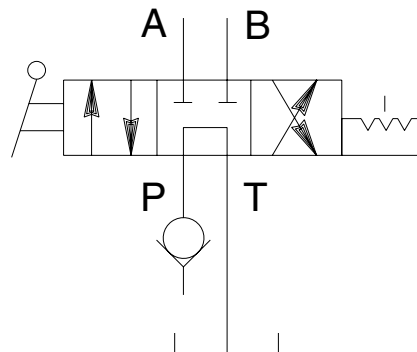


Item No.	Part No.	No. Req'd	Description
1	10268	1	O-ring (1/2 X 3/8 X 1/16; Nitrile)
	17716	1	O-ring (1/2 X 3/8 X 1/16; EPR)
2	251279	6	Pipe Plug (1/8 NPTF)
3	10855	2	Cap Screw (1/4-20 UNC x 2-3/4 Lg.; Torque to 160/180 in. lbs.)
4	25821BK2	1	Cover
5	64374	1	Valve Body
6	24564	1	Stud (Assemble with Loctite Stud Lock - both ends)
7	12821	1	Plastic Oval Knob
8	11434	4	Cap Screw (10-24 UNC X 1/2 Lg.; Torque to 60/80 in. lbs.)
9	11127	2	Pressure Plug (3/8 NPTF)
10	12187	3	Spring Washer
11	24570	3	Shear Seal
12	12188	1	Needle Bearing
13	12189	1	Thrust Washer
14	10930	1	O-ring (1-1/2 X 1-5/16 X 3/32; Nitrile)
	13455	1	O-ring (1-1/2 X 1-5/16 X 3/32; EPR)
15	12195	1	Compression Spring (1/4 O.D. X 1/2 Lg.)
16	32070	1	Stem
17	10375	1	Steel Ball (1/4 dia.)
18	10266	4	O-ring (3/8 X 1/4 X 1/16; Nitrile)
	17715	4	O-ring (3/8 X 1/4 X 1/16; EPR)
19	11587	1	Roll Pin (1/8 Dia. X 1/2 Lg.)
20	10716	1	Roll Pin (1/4 Dia. X 3/4 Lg.)
21	32071	1	Rotor
22	12184	3	Backup Washer (3/8 X 1/4 X .048)

DETAIL FOR 4-WAY VALVE OUTLET CHECK



HYDRAULIC SCHEMATIC



Item No.	Part No.	No. Req'd	Description
1	12223	1	Ball (3/16 Dia.)
2	11863	2	Teflon Backup Washer
3	10268	2	O-ring (1/2 X 3/8 X 1/16; Nitrile)
	17716	1	O-ring (1/2 X 3/8 X 1/16; EPR)
4	251128	1	Bushing
5	10445	1	Compression Spring (5/32 O.D. X 3/4 Lg.)
6	209795	1	Outlet Ball Stop

Note: Shaded areas reflect last revision(s) made to this form.