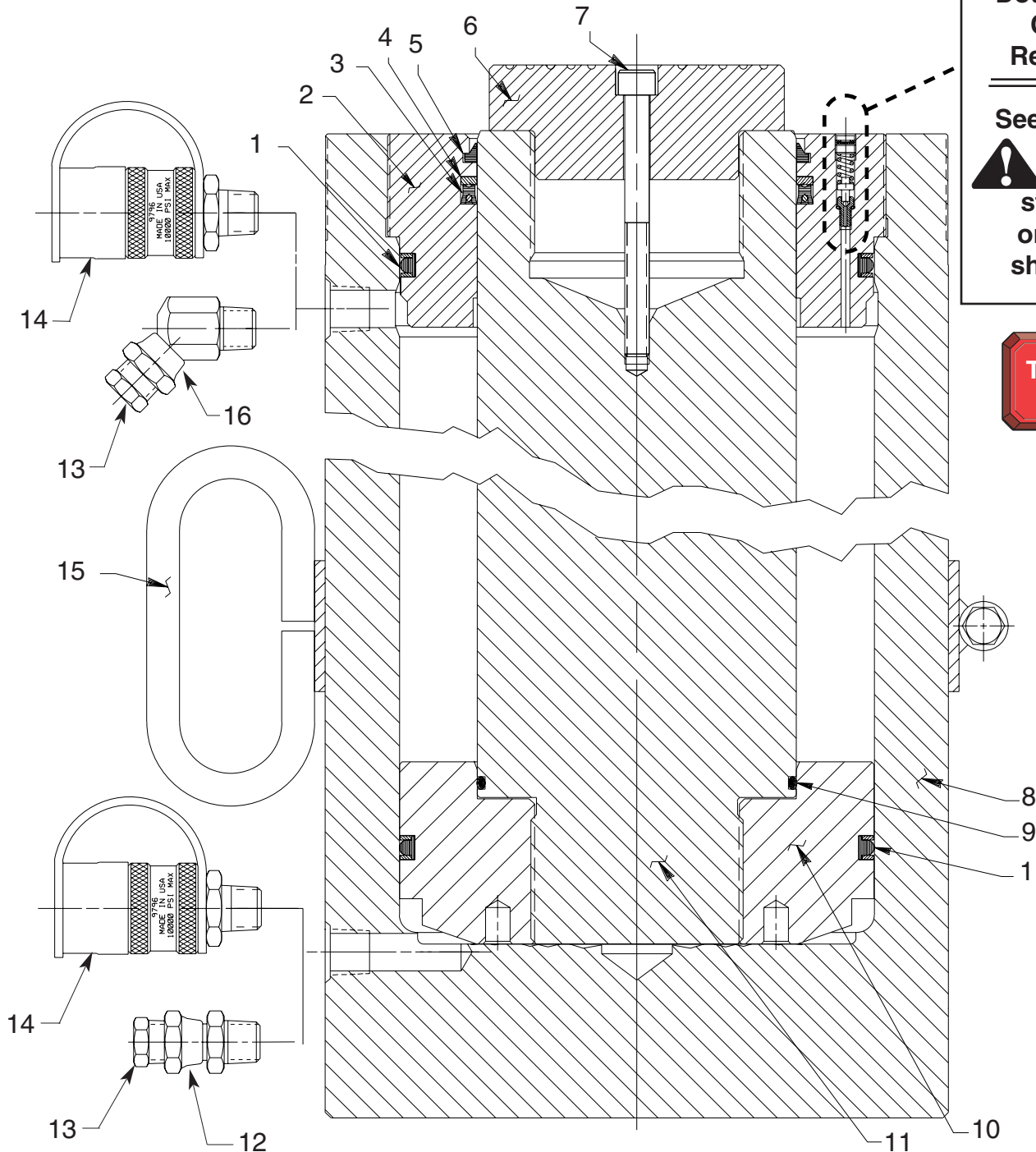


MODEL B
DOUBLE-ACTING
HYDRAULIC CYLINDER
Max. Capacity: 206.4 Tons at 10,000 PSI



**Double-acting
Cylinder
Relief Valve**

See important
DANGER
statement
on back of
sheet 1 of 1

**To Parts
List**



DANGER: To help avoid possible serious personal injury or death,

- In the event that the cylinder retract port is ever restricted or plugged, a double-acting cylinder relief valve will help prevent excessive pressure from building in the cylinder. **DO NOT** attempt to adjust or service this relief valve! If oil leakage is detected from this relief valve, discontinue use of the cylinder immediately and contact **Power Team Technical Services**. Only Power Team Authorized Hydraulic Service Centers should service this relief valve.

Item No.	Part No.	No. Req'd	Description
1	*19273	2	T-seal w/ Backup Rings
2	51299	1	Retainer Nut (Torque to 100 ft. lbs.)
3	*19278	1	U-cup
4	*19347	1	Backup Washer (5-3/8 x 4-7/8 x .105)
5	*19277	1	Rod Wiper
6	38321	1	Serrated Insert
7	12300	1	Cap Screw (3/8-16 UNC x 4" Lg.)
8	58419	1	Cylinder Body (For 52352 & RD20013)
	58399	1	Cylinder Body (For RD2006)
9	*19274	1	O-ring (4-7/8 x 4-5/8 x 1/8)
10	51298	1	Piston Head
11	51301	1	Piston Rod (For 52352 & RD20013)
	51300	1	Piston Rod (For RD2006)
12	10469	1	Straight Fitting (For 52352 only)
13	250952	2	Pipe Plug (For 52352 only)
14	9796	2	Ram Half Coupler w/ Plastic Dust Cap
15	58409OR9	1	Cylinder Lift Handle Assembly (For RD2006 & RD20013)
16	10648	1	45° Elbow Fitting

PARTS INCLUDED BUT NOT SHOWN

37782	1	Warning Decal
350726	1	Trade Name Decal (For RD2006)
350727	1	Trade Name Decal (For RD20013)
421279	1	Thread Protector

Part numbers marked with an asterisk (*) are contained in Repair Kit No. 300008.



Refer to any operating instructions included with this product for detailed information about operation, testing, disassembly, reassembly, and preventive maintenance.

Items found in this parts list have been carefully tested and selected. **Therefore: Use only genuine Power Team replacement parts!**

Additional questions can be directed to our Technical Services Department.

Note: Shaded areas reflect last revision(s) made to this form.