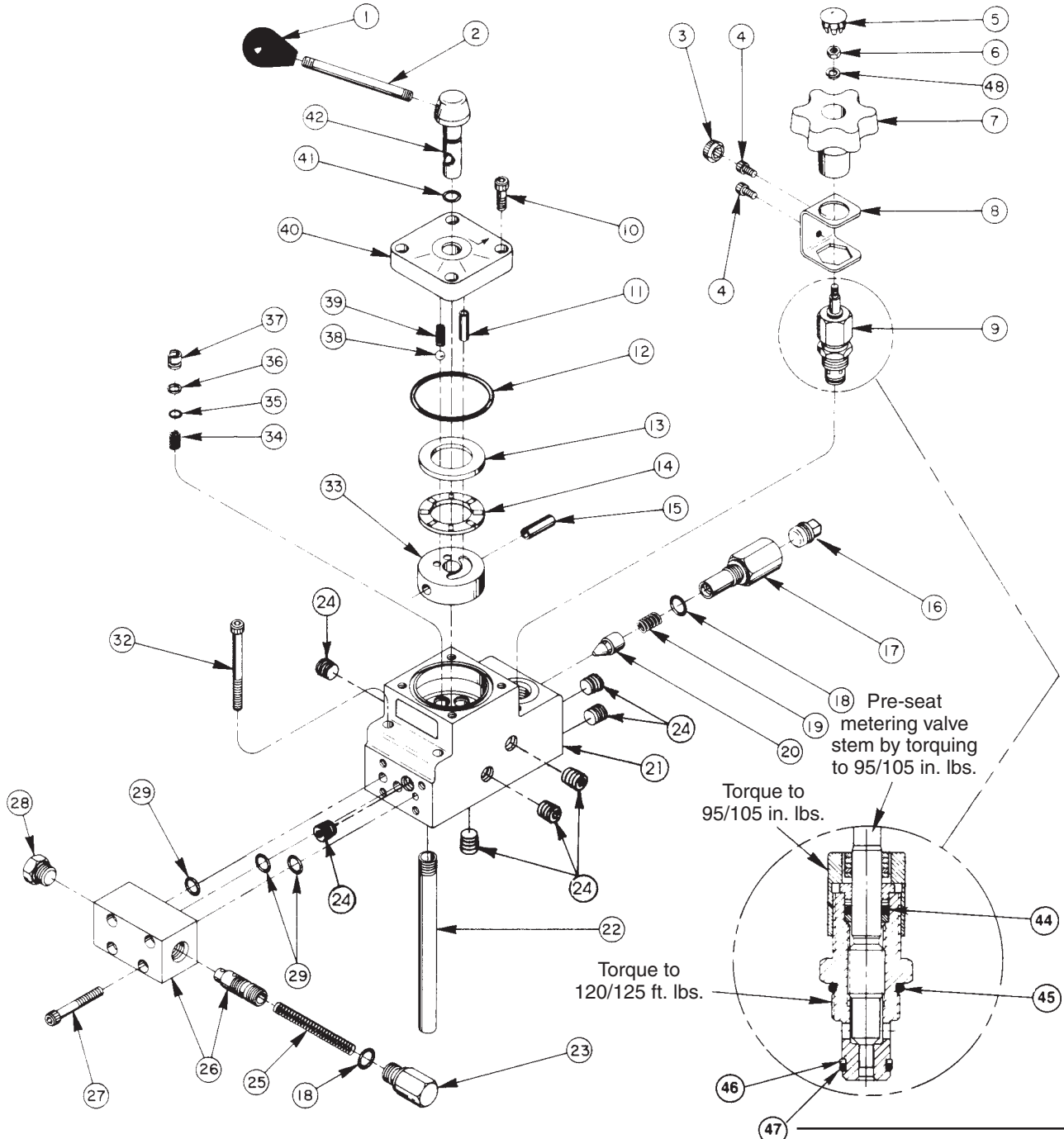


Parts List for:

3482-0008
9609
60916

60916-FORN
64529-HOGEN
420247-SATEC

MODEL B
4-POSITION, 3-WAY
MANUAL VALVE ASSEMBLY
VOLUME/FLOW CONTROL --- PRESSURE COMPENSATED
Max. Capacity: 10,000 PSI



Parts List, Form No. 101373, Back sheet 1 of 2

Item No.	Part No.	No. Req'd	Description
1	250885	1	Knob
2	21639	1	Stud
3	207382	1	Plastic Knob (on 3482-0008, 9609, & 60916, 420247-SATEC & 64529-HOGEN)
4	11434	2	Soc. Hd. Cap Screw (#10-24 x 1/2 Lg.; on 3482-0008, 9609 & 60916, 420247-SATEC)
5	11455	1	Snap Plug
6	11010	1	Machine Nut (#10-32 UNF; See note below)
7	44708	1	Valve Knob
8	302956	1	Locking Bracket (on 3482-0008, 9609 & 60916, 420247-SATEC)
9	302938	1	Flow Control Valve
10	10008	4	Soc. Hd. Cap Screw (1/4-20 X 3/4 Lg.; Torque to 100/120 in. lbs.)
11	11916	1	Roll Pin (1/4 dia. X 7/8 Lg.)
12	11229	1	O-ring (2-3/8" X 2-3/16" X 3/32)
13	11227-1	1	Bearing Race
14	11228	1	Thrust Bearing
15	10496	1	Roll Pin (5/16 dia. X 1" Lg.)
16	11127	1	Plug (3/8 NPTF)
17	302939	1	Adapter (Torque to 30/40 ft. lbs.)
18	10300	2	O-ring (.468 I.D. X .078 cs)
19	10425	1	Compression Spring (3/8 O.D. X 3/4 Lg.)
20	20771	1	Poppet
21	64528	1	Valve Body
22	212998	1	Drain Line (NOTE: Used only when pump-mounted)
23	204748	1	Spring Retainer Fitting (Torque to 30/40 ft. lbs.)
24	15130	7	Pipe Plug (1/16 NPTF)
25	207404	1	Compression Spring (5/16 O.D. X 2-7/16" Lg.)
26	302953	1	Spool & Body Assembly (Consists of 44704 & 44705 which must be ordered as a set)
27	10022	4	Soc. Hd. Cap Screw (Torque to 100/120 in. lbs.)
28	11953	1	Plug (O-ring included; Torque to 30/40 ft. lbs.)
29	10269	3	O-ring (3/8 X 9/16 X 3/32)
32	10855	4	Soc. Hd. Cap Screw (1/4-20 X 2-3/4" Lg.)
33	44686	1	Rotor
34	10446	4	Compression Spring (19/64 O.D. X 7/16 Lg.)
35	10266	4	O-ring (1/4 X 3/8 X 1/16)
36	12184	4	Backup Washer (Teflon)
37	207381	4	Shear Seal
38	10375	1	Steel Ball (1/4 dia.)
39	16320	1	Compression Spring (1/4 O.D. X 3/4 Lg.)
40	201814	1	Valve Body Cap
41	10268	1	O-ring (3/8 X 1/2 X 1/16)
42	207380	1	Valve Stem
44	10267	1	O-ring (7/16 X 5/16 X 1/16)
45	10527	1	O-ring (13/16 X .644 X .087)
46	15500	1	Backup Washer (9/16 X 7/16 X .048)
47	12098	1	O-ring (9/16 X 7/16 X 1/16)
48	10241	1	Lockwasher

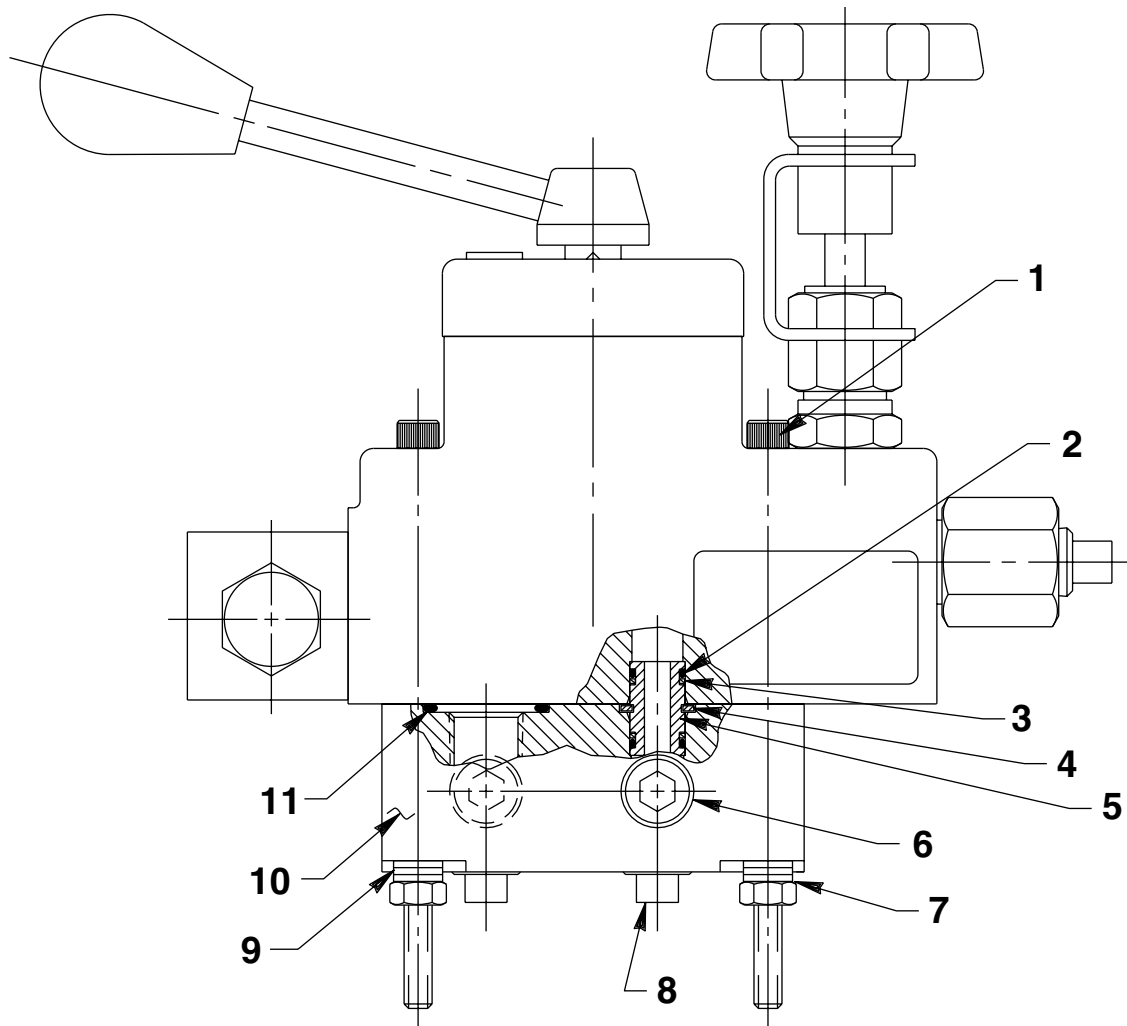


NOTE: Tighten nut with valve in open position. Line up No. 1 on knob with arrow on decal when valve is closed (CW Rotate).

NOTE: Due to the complexity of this valve and the testing of it, a repair kit is not available. Any service repair must be done by Power Team Service Repair Department.

Note: Removed Porting Decal (Item #43) last revision(s) made to this form.

FOR 420247-SATEC ONLY



Item No.	Part No.	No. Req'd	Description
1	15642	4	Screw (1/4-20 x 5" Lg.)
2	10268	3	O-ring (.50 x .37 nitrile)
3	11863	2	Backup Washer (.50 x .38)
4	251124	1	Retaining Ring
5	21094	1	Bushing
6	16232	2	Plug Fitting
7	13639	4	Jam Nut (1/4-20)
8	11127	2	Plug Fitting
9	10245	12	Lockwasher
10	52862	1	Manifold
11	14725	1	O-ring (1.12 x .93 nitrile)

SPECIFICATIONS

This is a pump-mounted, pressure-compensated, adjustable flow control valve combined with a manually-operated, 4-position, detented, 3-way valve for use on hydraulic power units. This valve is intended for use with single-acting cylinders and provides the possibility of remote mounting.

OPERATION

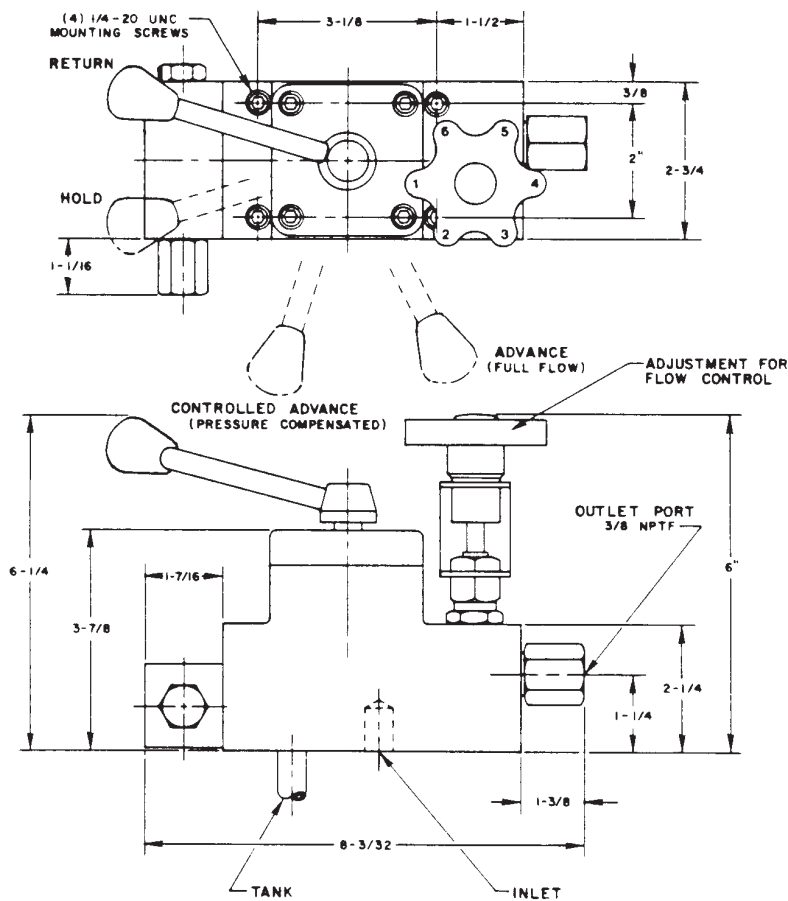
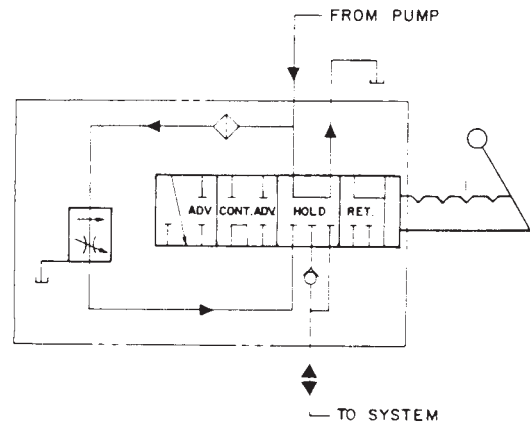
Hold: Inlet flow directed to tank, outlet port blocked.

Controlled Advance: Inlet flow directed to outlet port. Flow is adjustable and pressure compensated.

Advance: Inlet flow directed to outlet port (full flow).

Return: Inlet flow directed to tank, outlet port flow directed back to tank.

Note: Valve shifts between advance, controlled advance and hold positions without loss of system pressure (Non-Interflow).



Refer to any operating instructions included with the product for detailed information about operation, testing, disassembly, reassembly, and preventive maintenance.

Items found in this parts list have been carefully tested and selected. **Therefore: Use only genuine Power Team replacement parts!**

Additional questions can be directed to our Technical Services Department.