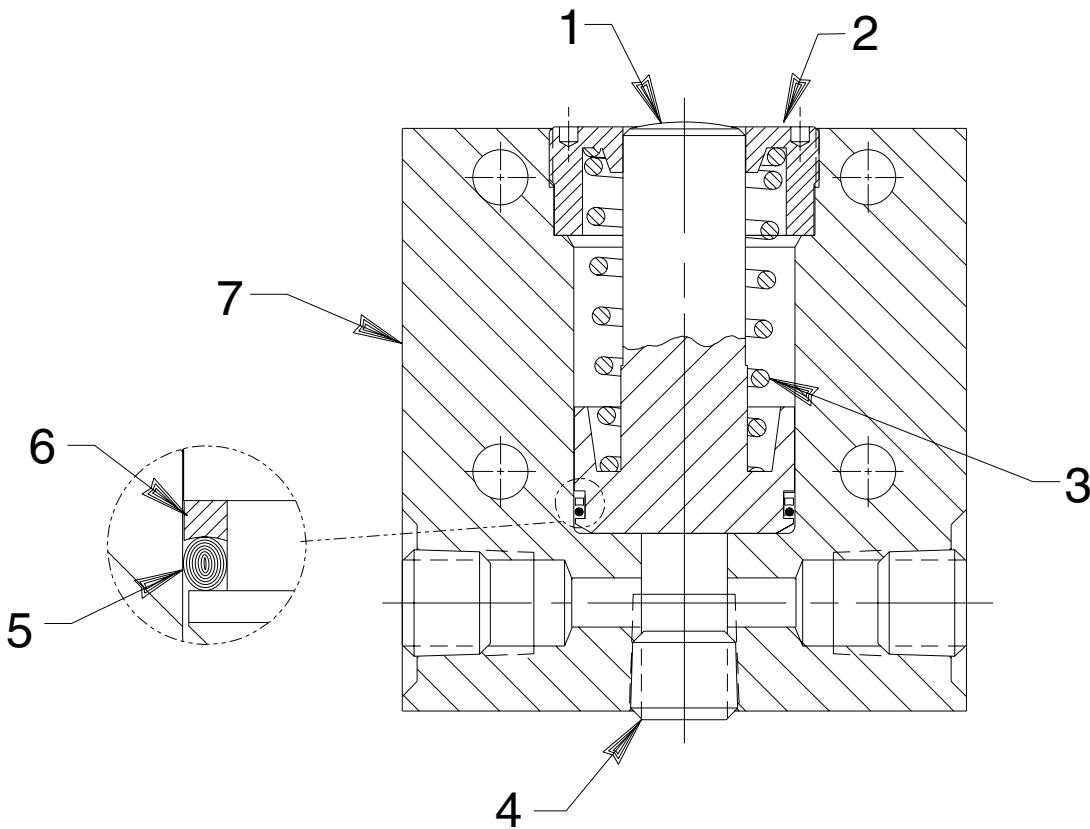
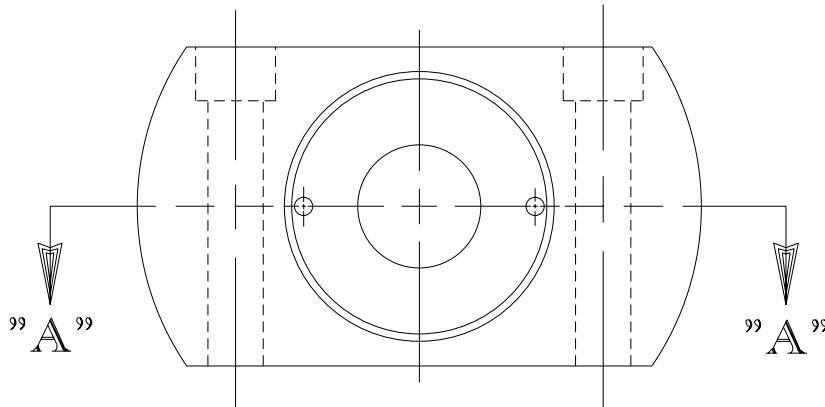


HYDRAULIC CYLINDER

Max. Capacity: 4,920 Lbs. At 5,000 PSI



SECTION A-A

Sheet No. 1 of 1

Issue Date: 8-5-94

Parts List, Form No. 101401, Back sheet 1 of 1

Item No.	Part No.	No. Req'd	Description
1	420906	1	Piston
2	46176	1	Retainer (Torque to 200/250 in. lbs.)
3	251585	1	Compression Spring (1" O.D. x 2-1/2 Lg.)
4	10479	3	Pipe Plug (1/4 NPTF)
5	*19543	1	O-ring (1-1/8 X 1" X 1/16, -022)
6	*211994	1	Backup Washer (1 -1/8 X 1" X 3/64, -022)
7	420905	1	Cylinder Body

Part numbers marked with an asterisk (*) are contained in Repair Kit No. 300454.

Refer to any operating instructions included with this product for detailed information about operation, testing, disassembly, reassembly, and preventive maintenance.

Items found in this parts list have been carefully tested and selected. **Therefore: Use only genuine Power Team replacement parts!**

Additional questions can be directed to our Technical Services Department.