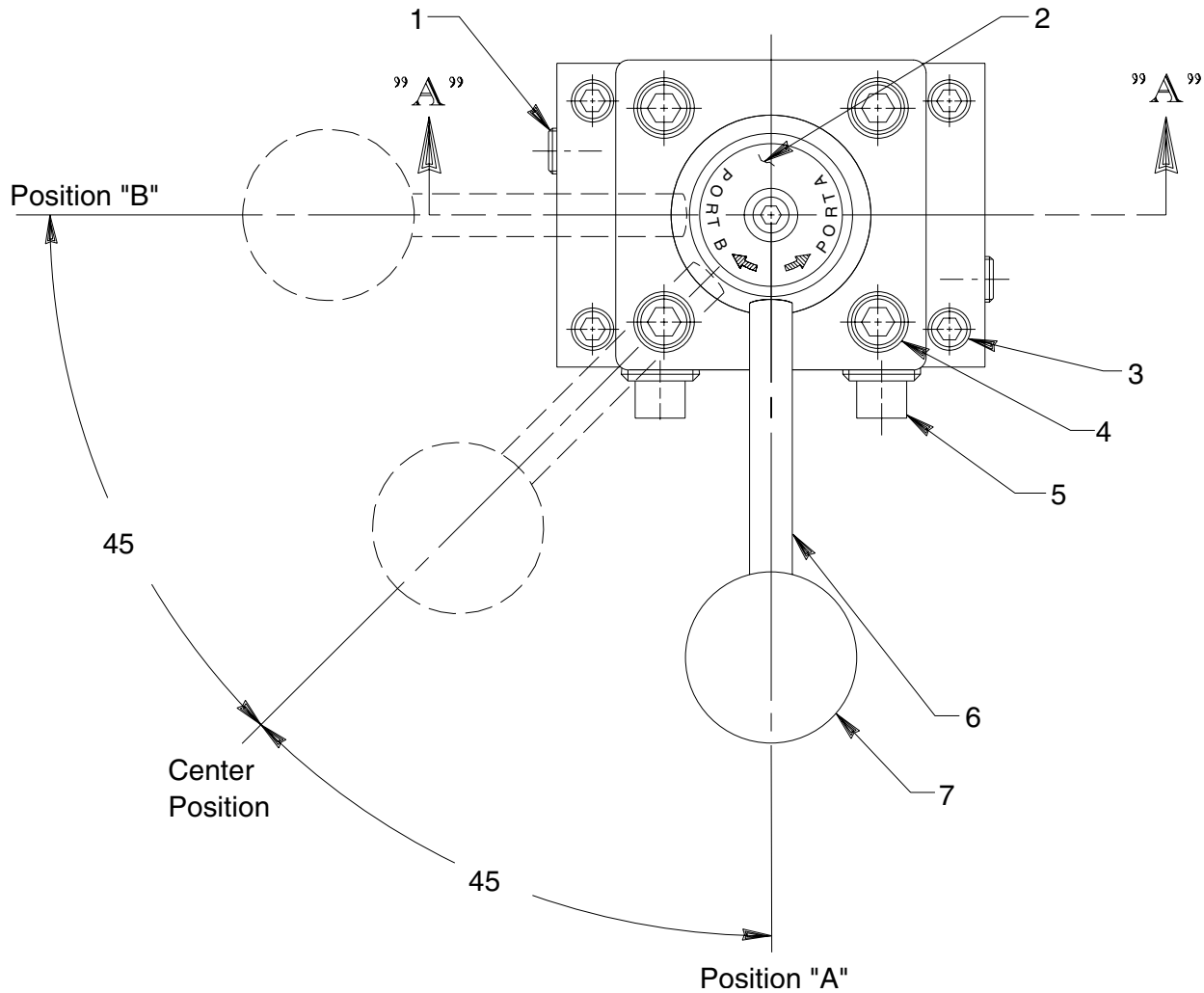


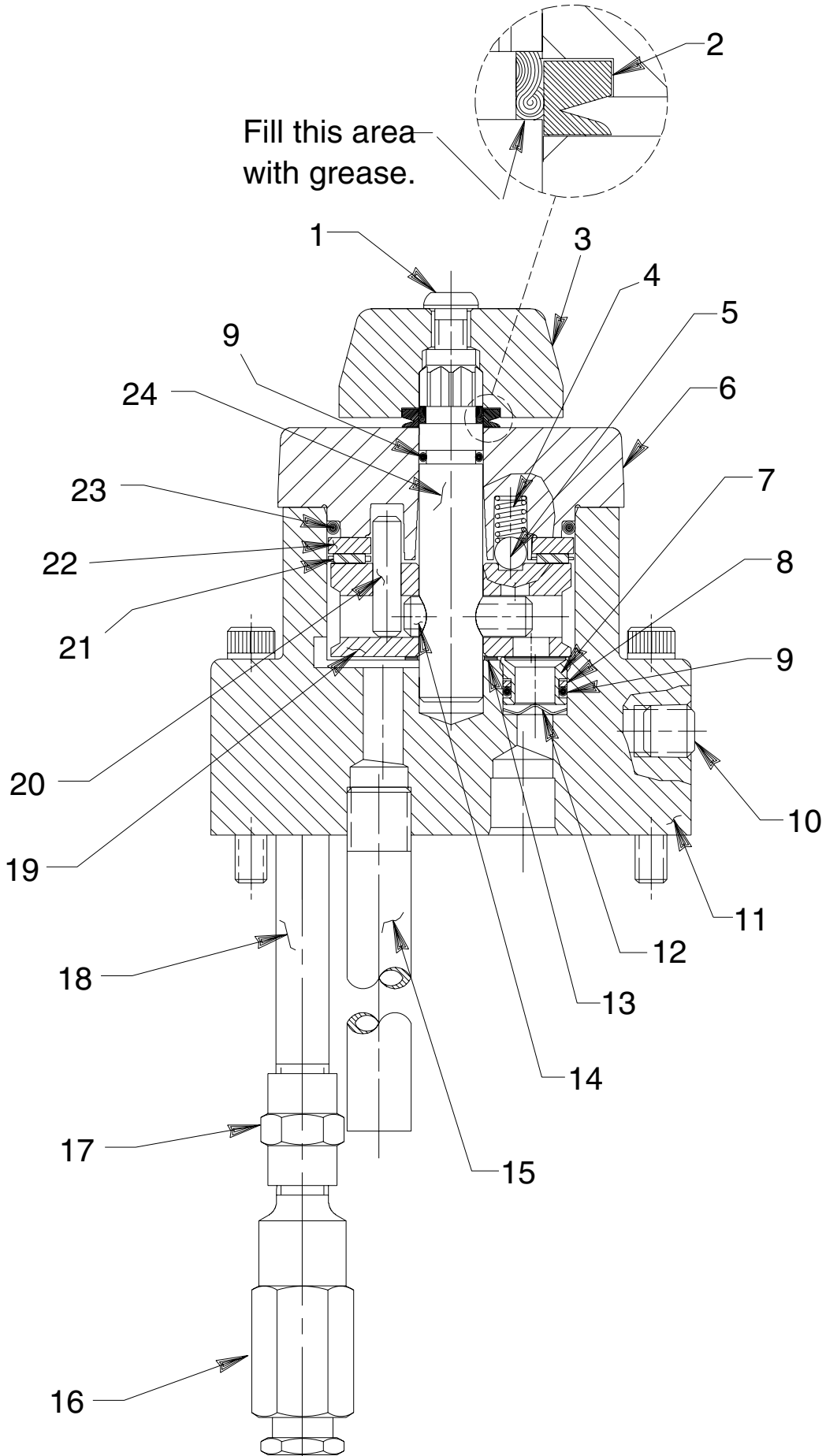
**THREE POSITION, 4-WAY, TANDEM CENTER  
MANUAL VALVE ASSEMBLY  
WITH "B" PORT RELIEF VALVE**

**TOP VIEW**



Item No.	Part No.	No. Req'd	Description
1	15130	2	Plug (1/16 NPTF)
2	211936	1	Decal
3	10854	4	Cap Screw (1/4-20UNC X 1-3/4 Lg.)
4	11013	4	Cap Screw (5/16-18 X 1" Lg.; Torque to 300/320 in. lbs.)
5	11127	2	Pressure Plug (3/8 NPTF)
6	21639	1	Stud
7	211911	1	Plastic Knob

SECTION A-A

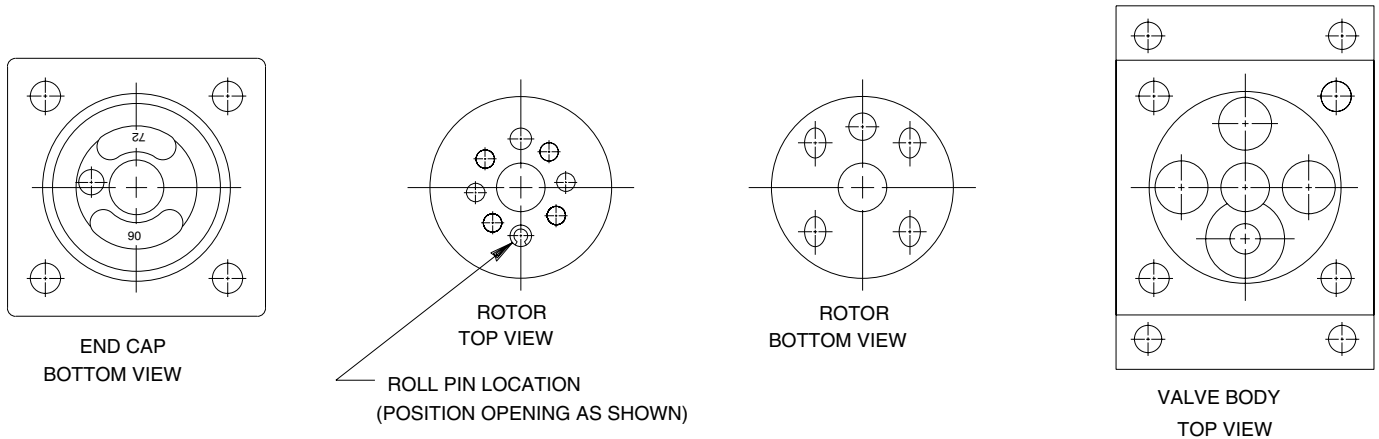


Item No.	Part No.	No. Req'd	Description	Item No.	Part No.	No. Req'd	Description
1	15911	1	Cap Screw (1/4-20 X 5/8 Lg.; Torque to 60/80 in. lbs. Note: Apply Loctite No. 222 or equivalent at assembly.)	13	214801	1	Spacer Washer
2	*213674	1	V-ring	14	10496	1	Pin
3	46057	1	End Stem	15	200609	1	Drain Tube
4	15691	1	Compression Spring (1/4 O.D. X 5/8 Lg.)	16	21278-15	1	Relief Valve Assembly (Set at 1,500/1,700 PSI)
5	10375	1	Steel Ball (1/4 Dia.)	17	18841	1	Pipe Connector
6	61343	1	Valve Cap	18	15456	1	Straight Fitting
7	202480	3	Seal	19	306032	1	Rotor
8	*11863	3	Backup Washer (1/2 X 3/8 X 1/16, -012)	20	250056	1	Pin
9	*10268	4	O-ring (1/2 X 3/8 X 1/16, -012; Nitrile)	21	11228	1	Thrust Bearing
	11439	4	O-ring (1/2 X 3/8 X 1/16, -012; Viton)	22	11227-1	1	Bearing Race
	17716	4	O-ring (1/2 X 3/8 X 1/16, -012; EPR)	23	*15892	1	O-ring (1.956 X 1.720 X .118, -924; Nitrile)
10	14972	1	Pipe Plug (1/4 NPTF)		19097	1	O-ring (1.956 X 1.720 X .118, -924; Viton)
11	64664	1	Valve Body		212887	1	O-ring (1.956 X 1.720 X .118, -924; EPR)
12	21975	3	Spring Washer	24	46048	1	Stem

Part numbers marked with an asterisk (\*) are contained in Repair Kit No. 300451.

Note: Alternate material seals listed for special valves factory equipped with viton or EPR seals.

### SPECIFICATIONS



### INTERNAL ASSEMBLY ORIENTATION OF PARTS

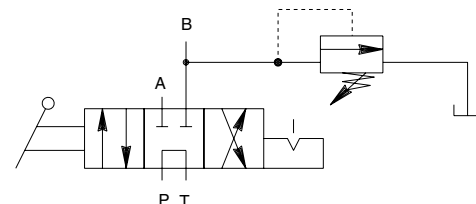
### FUNCTION

**Center Position:** "A" and "B" ports blocked;  
"Pressure" port to tank.

**"A" Position:** Pressure to "A" port;  
"B" port to tank.

**"B" Position:** Pressure to "B" port (relief valve set at 1,500/1,700 PSI);  
"A" port to tank.

**Note:** All ports open to tank during transition between valve positions.



### HYDRAULIC SCHEMATIC

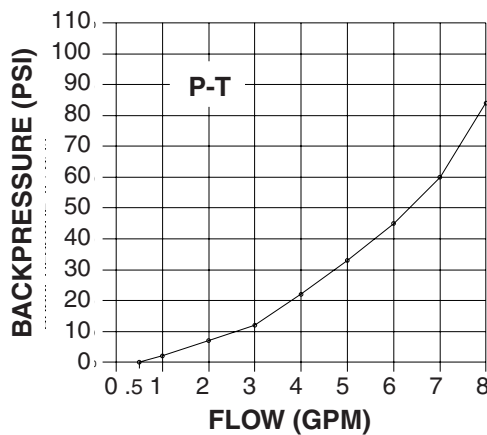
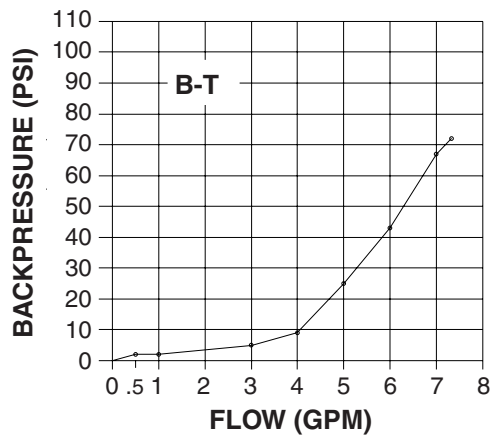
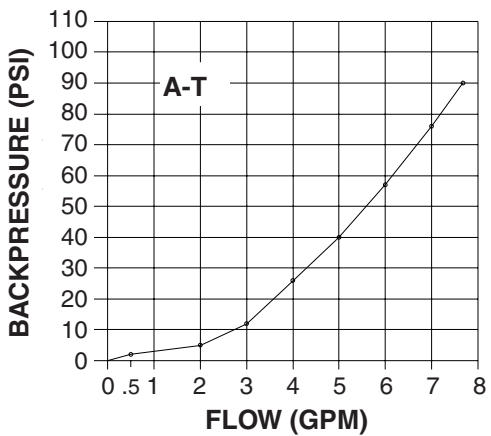
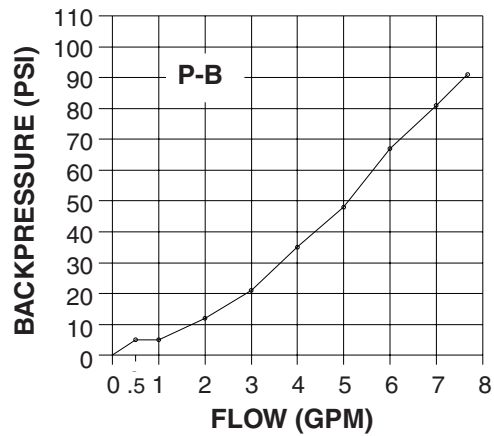
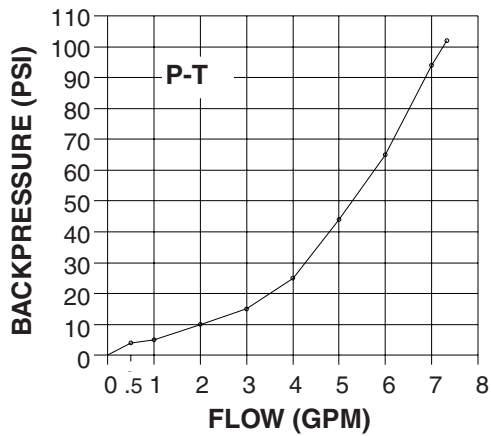
**Rated Pressure:** 10.000 PSI  
**Case Pressure:** 500 PSI Max.  
**Rated Flow:** 5 GPM

Sheet No. 2 of 2

Issue Date: Rev. 2-10-96

Note: Shaded areas reflect last revision(s) made to this form.

## PRESSURE DROP AND FLOW CHARACTERISTICS



Refer to any operating instructions included with this product for detailed information about operation, testing, disassembly, reassembly, and preventive maintenance.

Items found in this parts list have been carefully tested and selected. **Therefore: Use only genuine Power Team replacement parts!**

Additional questions can be directed to our Technical Services Department.