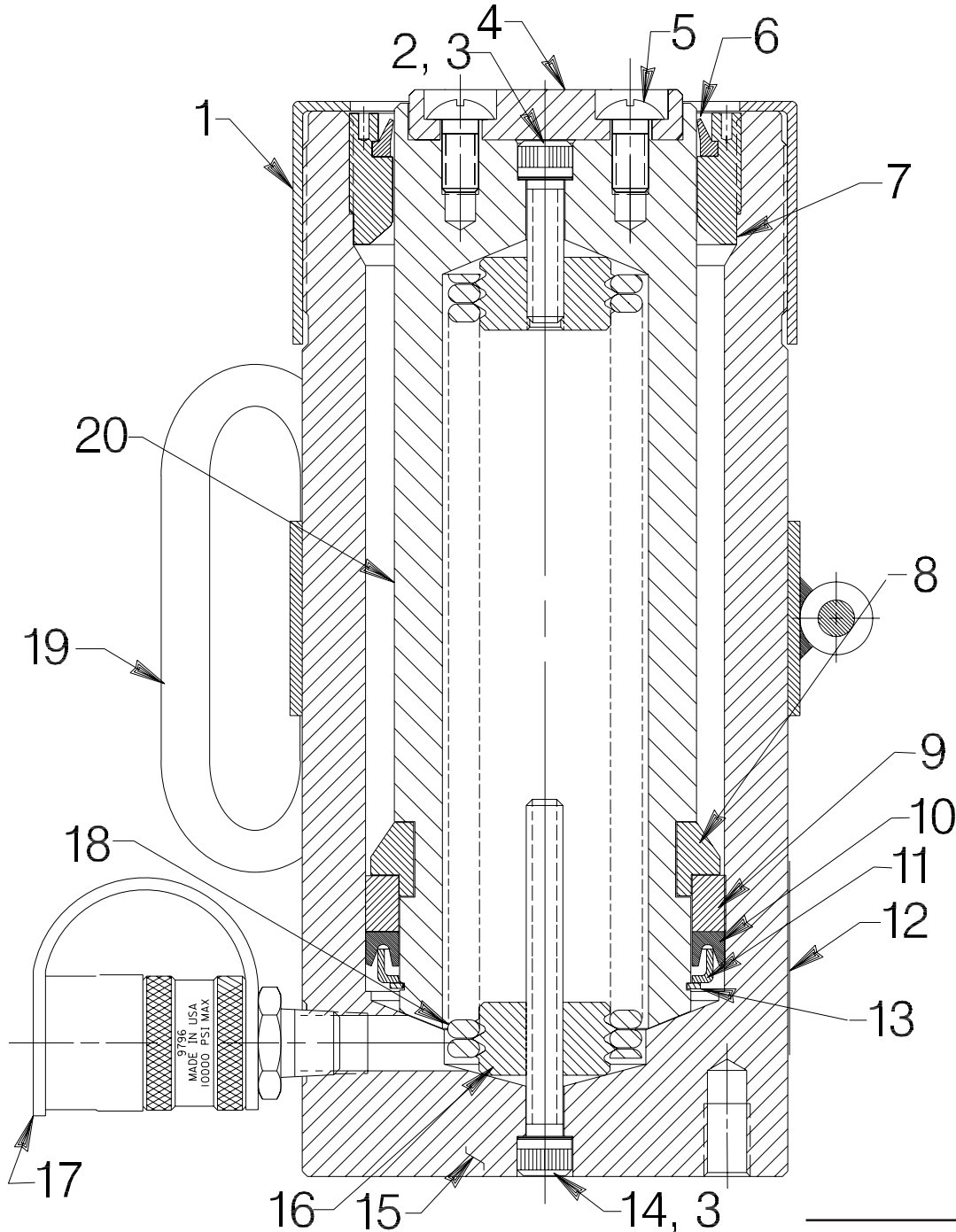


Parts List for:

C556C	C5510-S
C556CN	C5513C
C556C-PFAFF	C5513C-PFAFF
C5510C	C556-S

**MODEL B**  
**SINGLE-ACTING, SPRING RETURN**  
**HYDRAULIC CYLINDER**  
Max. Capacity: 55.2 Tons At 10,000 PSI



Sheet No. 1 of 2

Rev. 3

Date: 30 Jan. 1998

Note: Shaded areas reflect last revision(s) made to this form.

# Parts List, Form No. 101406, Back sheet 1 of 2

Item No.	Part No.	No. Req'd	Description
1	42193	1	Thread Protector
2	10984	1	Cap Screw (3/8-16 UNC x 1-1/2 Lg.; Torque to 500/550 in. lbs. For C556C, C556CN, C5510C, C556C-PFAFF & C556-S)
	16110	1	Cap Screw (3/8-16 UNC X 3-1/2 Lg.; Torque to 500/550 in. lbs. For C5513C, C5513C-PFAFF, & C5510-S)
3	†*12042	2	Copper Washer (9/16 X 3/8 X 1/32)
4	36161	1	Ram Saddle (All except C5510-S & C556-S)
5	16112	2	Machine Screw (3/8-16 UNC X 3/4 Lg.; Tighten securely)
6	*16117	1	Rod Wiper
	†205718	1	Rod Wiper
7	36138	1	Retainer Nut (Torque to 125/150 in. lbs.)
8	36001	1	Keeper Ring
9	201481	1	Piston Head
10	*15916	1	U-cup
	†205706	1	U-cup
11	201480	1	Slip Retainer
12	350959	1	Trade Name Decal (For C556C)
	350967	1	Trade Name Decal (For C5510C)
	350968	1	Trade Name Decal (For C5513C)
	351244	1	Trade Name Decal (For C556CN)
	252184	1	Trade Name Decal (For C556C-PFAFF & C5513C-PFAFF)
13	*16118	1	Retaining Ring
14	16110	1	Cap Screw (3/8-16 UNC X 3-1/2 Lg.; Torque to 500/550 in. lbs.)
15	64655	1	Cylinder Body (For C556C & C556C-PFAFF)
	64657	1	Cylinder Body (For C5510C & C5510-S)
	64659	1	Cylinder Body (For C5513C & C5513C-PFAFF)
	65162	1	Cylinder Body (For C556CN & C556-S)

Item No.	Part No.	No. Req'd	Description
16	36170	2	Spring Retainer (See detail on sheet 2 of 2)
17	9796	1	Ram Half Coupler w/ Dust Cap (For all except C5510-S & C556-S)
18	201483	1	Extension Spring (For C556C, C556CN, C556C-PFAFF & C556-S)
	250263	1	Extension Spring (For C5510C & C5510-S)
	201484	1	Extension Spring (For C5513C & C5513C-PFAFF)
19	420396OR9	1	Cylinder Lift Handle Assembly (For all except C5510-S & C556-S)
20	50837	1	Piston Rod (For C556C, C556CN & C556C-PFAFF, C556-S)
	58054	1	Piston Rod (For C5510C & C5510-S)
	50836	1	Piston Rod (For C5513C & C5513C-PFAFF)

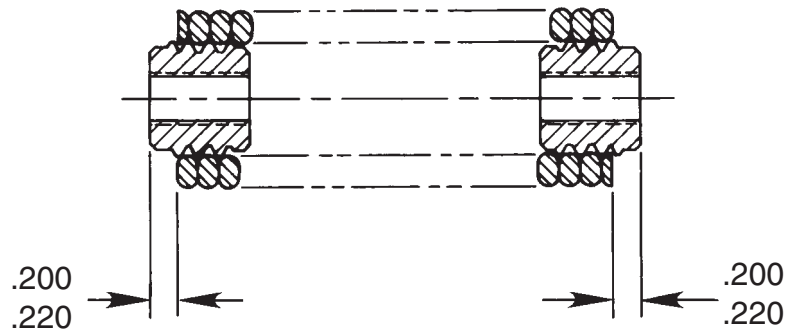
### PARTS INCLUDED BUT NOT SHOWN

203908	1	Warning Decal (For C556C, C556CN, C556-S)
*37782	1	Warning Decal (For C5510C, C5510-S, & C5513C)
203908-CE	1	Warning Decal (For C556C-PFAFF)
37782-CE	1	Warning Decal (For C5513C-PFAFF)
†206557	1	U-cup Backup Washer
†19526	1	O-ring (1" x 3/4 x 1/8; For coupler)
†205724	1	Decal (Viton seals)
11127	1	Plug Fitting (For C5510-S & C556-S)
202173	1	Trade Name Decal (For C5510-S & C556-S)

Part numbers marked with an asterisk (\*) are contained in Standard Repair Kit No. 300114.

Part numbers marked with a dagger (†) are contained in Viton Seal Kit No. 300215.

Note: Shaded areas reflect last revision(s) made to this form.

**SPRING & RETAINER ASSEMBLY**

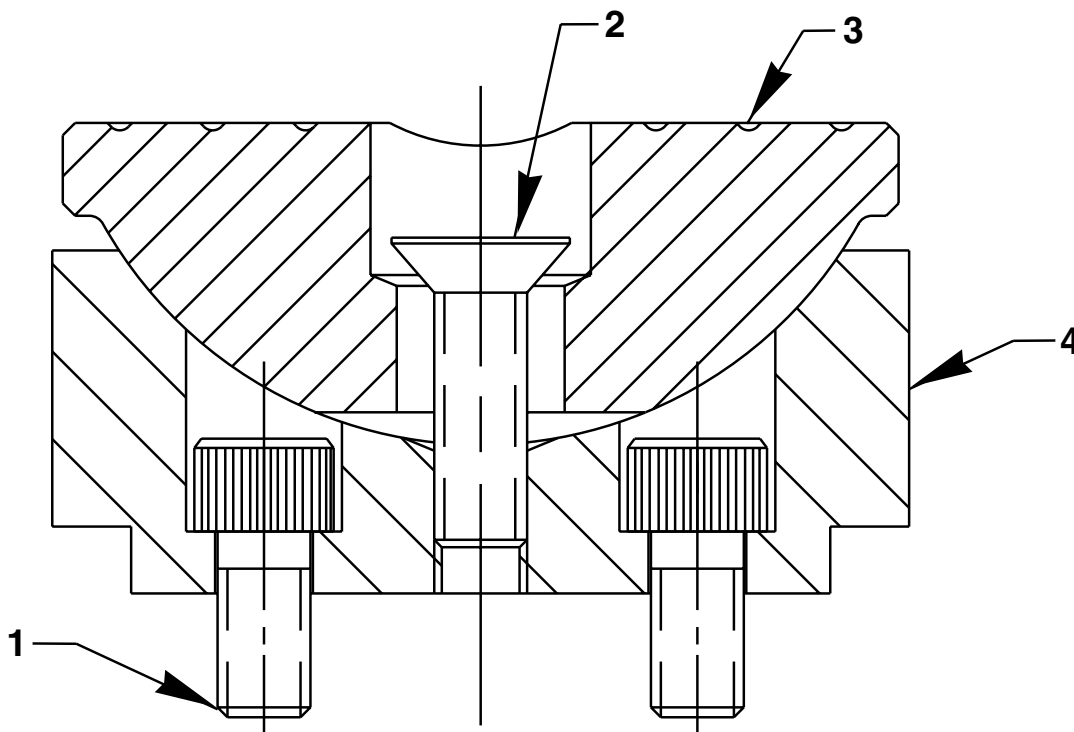
The spring must not extend beyond the threads of the spring retainer on either end. Stretch, clean and lubricate the spring before assembly.

Refer to any operating instructions included with this product for detailed information about operation, testing, disassembly, reassembly, and preventive maintenance.

Items found in this parts list have been carefully tested and selected. **Therefore: Use only genuine Power Team replacement parts!**

Additional questions can be directed to our Technical Services Department.

**TILT SADDLE CAP ASSEMBLY**  
**(FOR C5510-S & C556-S)**



Item No.	Part No.	No. Req'd	Description
1	10464	2	Cap Screw (3/8-16 UNC X 3/4 Lg.; Torque to 320/340 in. lbs. For C5510-S Only.)
	16112	2	Round Head Screw (3/8-16 X 3/4 Lg.; Torque to 320/340 in. lbs. For C556-S Only.)
2	215757	1	Screw (1/4-20 X 1" Lg.)
3	350252	1	Swivel Cap
4	350254	1	Tilt Saddle Base

**ASSEMBLY INSTRUCTIONS**

1. Mount tilt saddle base to cylinder piston with appropriate socket head cap screws (Item 1). Torque as specified.
2. Position swivel cap on base and tilt until lip on swivel cap contacts the base.
3. Thread in self-locking flat head screw. DO NOT overtighten. Swivel cap should swivel freely, and lip on swivel cap should always contact the base at maximum tilt angle. The lip is not intended to support the load, only to indicate the maximum tilt angle.

Note: Shaded areas reflect last revision(s) made to this form.