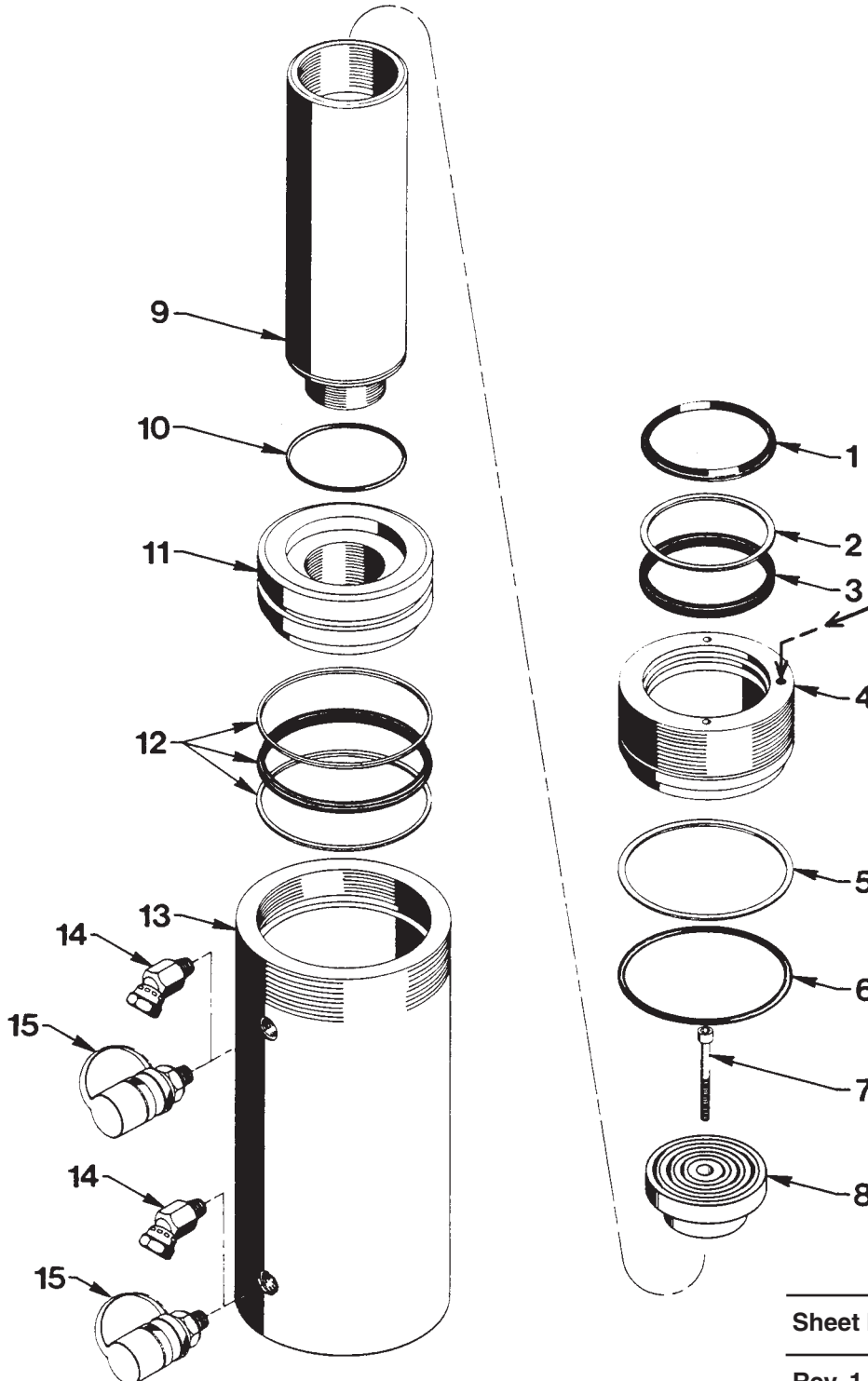



**MODEL B**  
**DOUBLE-ACTING**  
**HYDRAULIC CYLINDER**  
 Max. Capacity: 80 Tons at 10,060 PSI



**Double-acting  
 Cylinder  
 Relief Valve**

See important  
 **DANGER**  
 statement  
 on back of  
 sheet 1 of 1

 **DANGER:** To help avoid possible serious personal injury or death,

- In the event that the cylinder retract port is ever restricted or plugged, a double-acting cylinder relief valve will help prevent excessive pressure from building in the cylinder. **DO NOT** attempt to adjust or service this relief valve! If oil leakage is detected from this relief valve, discontinue use of the cylinder immediately and contact **Power Team Technical Services**. Only Power Team Authorized Hydraulic Service Centers should service this relief valve.

Item No.	Part No.	No. Req'd	Description
1	*19314	1	Rod Wiper
2	*19154	1	Backup Washer (3-3/8 x 3" x .070)
3	*12700	1	U-cup
4	58529	1	Retainer Nut (Torque to 150 ft. lbs. min.)
5	*210402	1	Backup Washer (4-1/16 x 4-3/8 x .048)
6	*210403	1	O-ring (4-1/16 x 4-3/8 x 1/8)
7	10435	1	Soc. Head Cap Screw (3/8-16 x 2-1/2 Lg.)
8	305070	1	Serrated Insert
9	58525	1	Piston Rod
10	*210404	1	O-ring (3" x 2-3/4 x 1/8)
11	420912	1	Piston Head (Torque to 200 ft. lbs. min.)
12	*210405	1	T-Seal & Backup Rings (Smooth side of Backup Ring must be against seal.)
13	58526	1	Cylinder Body
14	10648	2	45° Elbow Fitting (For 52351)
15	9796	2	Ram Half Coupler w/Plastic Dust Cap (For RD8013)

**PARTS INCLUDED BUT NOT SHOWN**

37782	1	Warning Decal
251584	1	Trade Name Decal (For RD8013)
420684	1	Thread Protector (For RD8013)
420692OR9	1	Handle Assembly (For RD8013)

Part numbers marked with an asterisk (\*) are contained in Repair Kit No. 300410.

Refer to any operating instructions included with this product for detailed information about operation, testing, disassembly, reassembly, and preventive maintenance.

Items found in this parts list have been carefully tested and selected. **Therefore: Use only genuine Power Team replacement parts!**

Additional questions can be directed to our Technical Services Department.

Note: Shaded areas reflect last revision(s) made to this form.